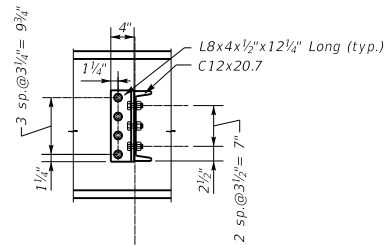
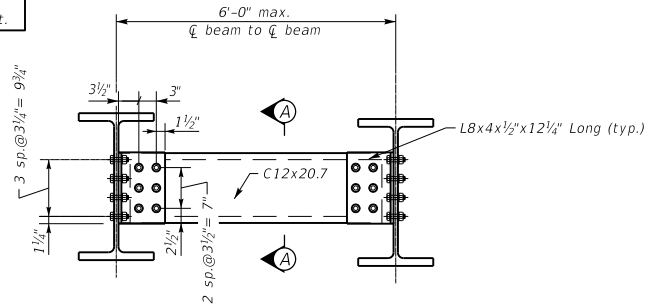


NOTE: Use 3/4" O Bolts with 1 3/16" O Holes Throughout.

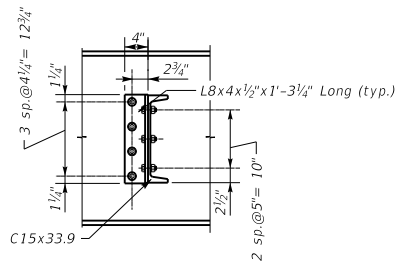


**SECTION A-A**

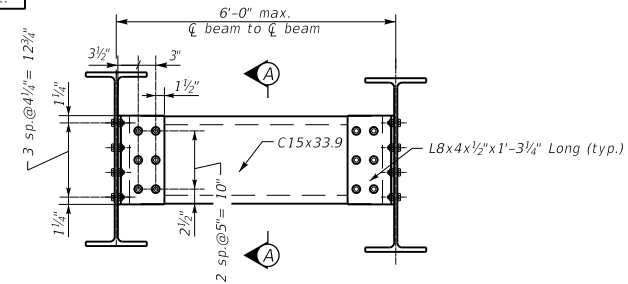


**INTERMEDIATE DIAPHRAGM**  
(for up to 24" beam depth)

NOTE: Use 3/4" O Bolts with 1 3/16" O Holes Throughout.

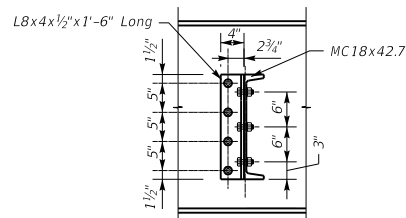


**SECTION A-A**

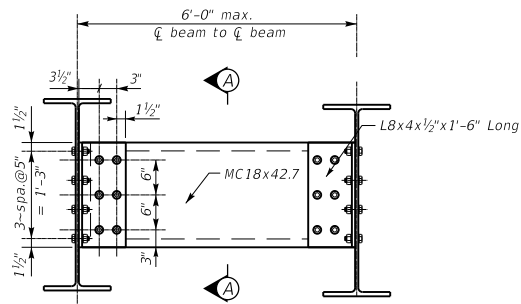


**INTERMEDIATE DIAPHRAGM**  
(for up to 30" beam depth)

NOTE: Use 3/4" O Bolts with 1 3/16" O Holes Throughout.



**SECTION A-A**



**INTERMEDIATE DIAPHRAGM**  
(for up to 36" beam depth)

KENTUCKY  
DEPARTMENT OF HIGHWAYS  
COMPOSITE STEEL BEAM  
SUPERSTRUCTURES  
DIAPHRAGMS CONTINUED

STANDARD DRAWING NO. BSB-006  
SUBMITTED: *Bob Adams* 02-26-20  
DATE: DIRECTOR DIVISION OF STRUCTURAL DESIGN  
APPROVED: *[Signature]* 02-26-20  
DATE: STATE ENGINEER