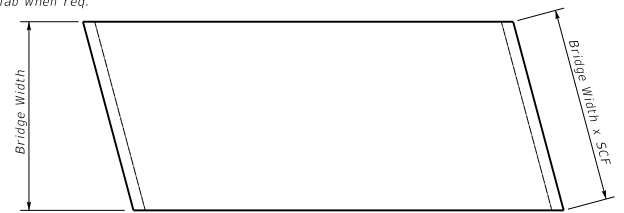
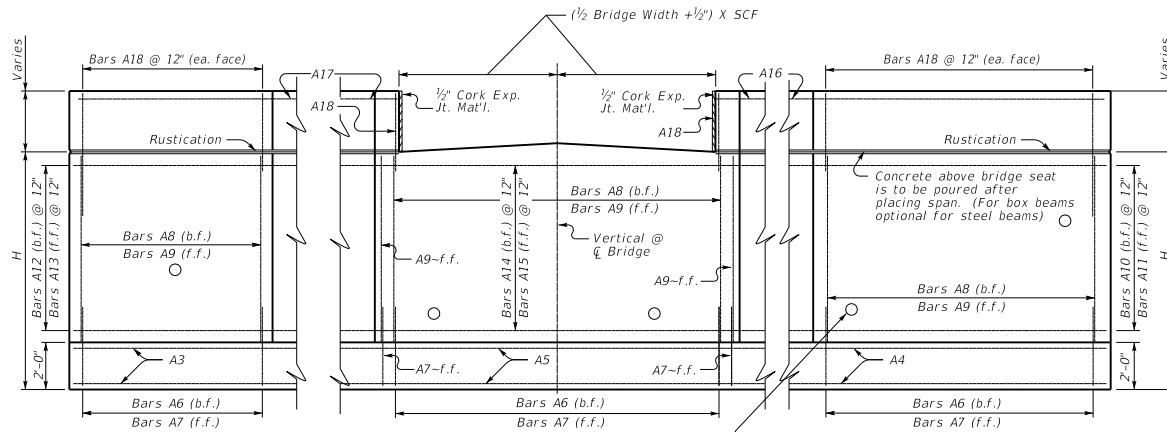
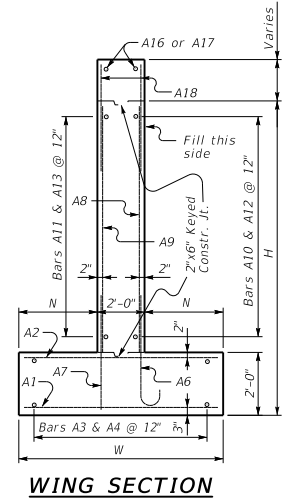
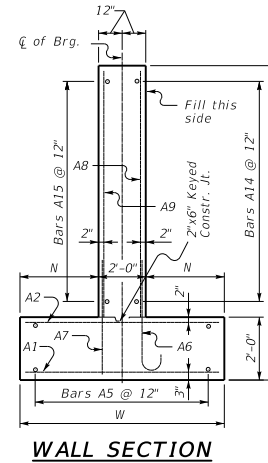
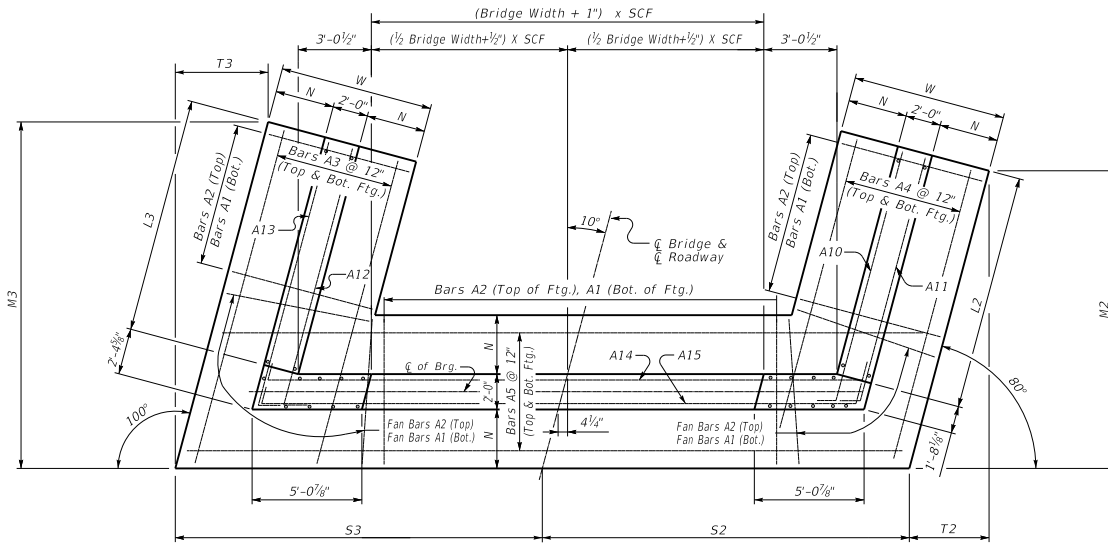


# 10° SKEW VARIABLE BRIDGE WIDTH 2:1 FILL SLOPES WINGS PARALLEL TO ROADWAY

ABUTMENT SKEW CORRECTION FACTOR (SCF) = 1.015



KENTUCKY DEPARTMENT OF HIGHWAYS	
10° SKEW VARIABLE WIDTH ABUTMENT PARALLEL WINGS	
STANDARD DRAWING NO. BSA-045	
SUBMITTED BY: <i>Bert Adams</i>	DATE: 02-26-20
APPROVED: _____	DATE: 02-26-20
STATE OF KENTUCKY ENGINEER	