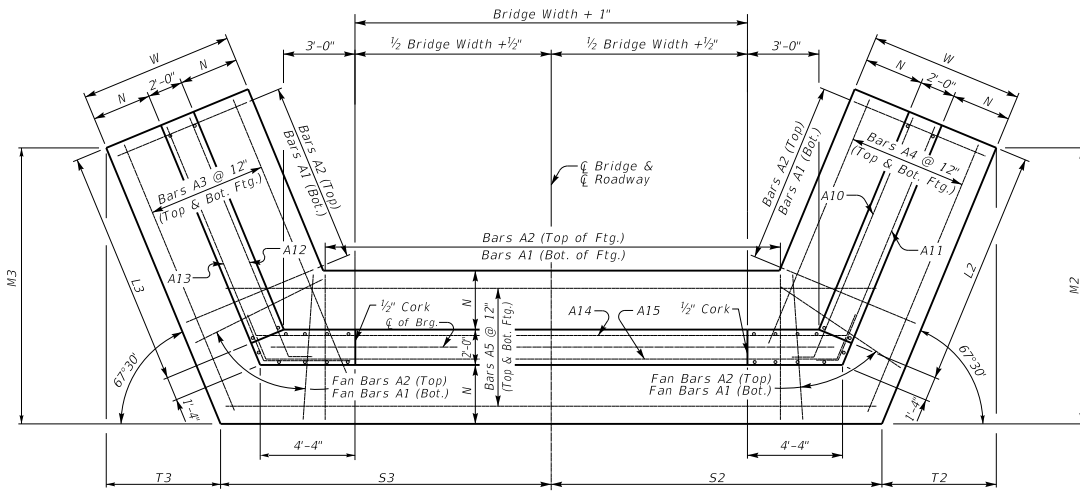


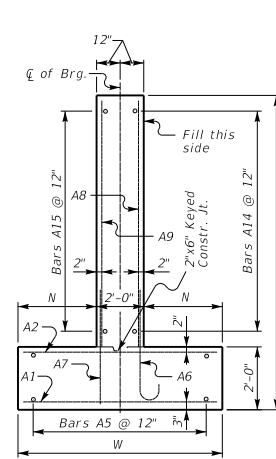
# 0° SKEW VARIABLE BRIDGE WIDTH 2:1 FILL SLOPES 22.5° SKEW FROM ROADWAY ON WINGS

ABUTMENT SKEW CORRECTION FACTOR (SCF) = 1.000

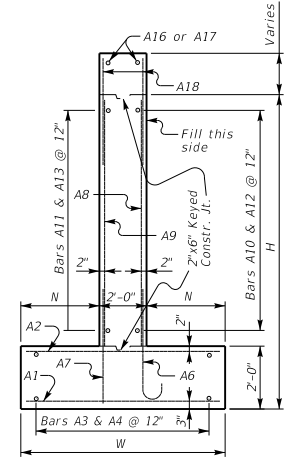


**PLAN**

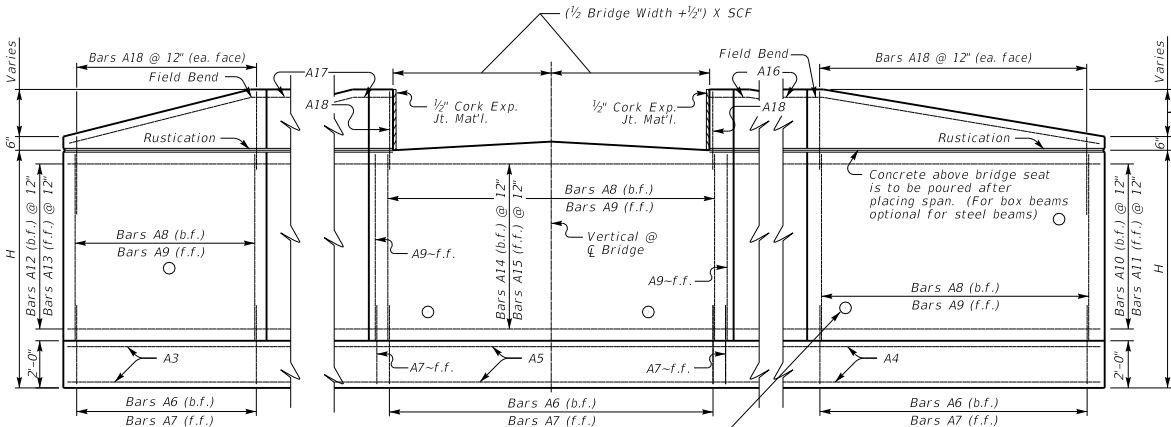
Note: Trim A16 & A17 bars if necessary



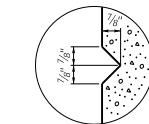
**WALL SECTION**



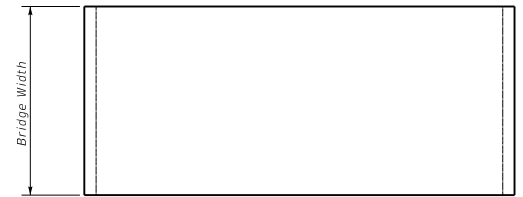
**WING SECTION**



**ELEVATION**



**RUSTICATION  
GROOVE**



**PLAN OF SUPERSTRUCTURE SLAB**

Place 4" weep hole drains at 8'-0" centers at such elevation as to afford best drainage of backfill, in accordance with the Standard Specifications.

KENTUCKY  
DEPARTMENT OF HIGHWAYS  
0° SKEW VARIABLE  
WIDTH ABUTMENT  
25% SKEWED WINGS

STANDARD DRAWING NO. BSA-021  
SUBMITTED BY *Bob Adams* DATE 02-26-20  
DIRECTOR DIVISION OF STRUCTURAL DESIGN  
APPROVED BY *Bob Adams* DATE 02-26-20  
STATE ENGINEER