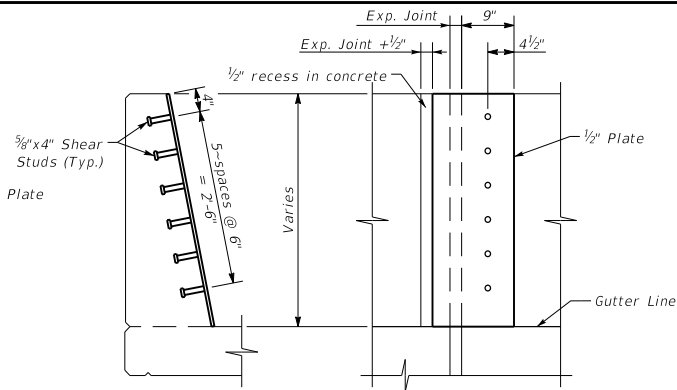
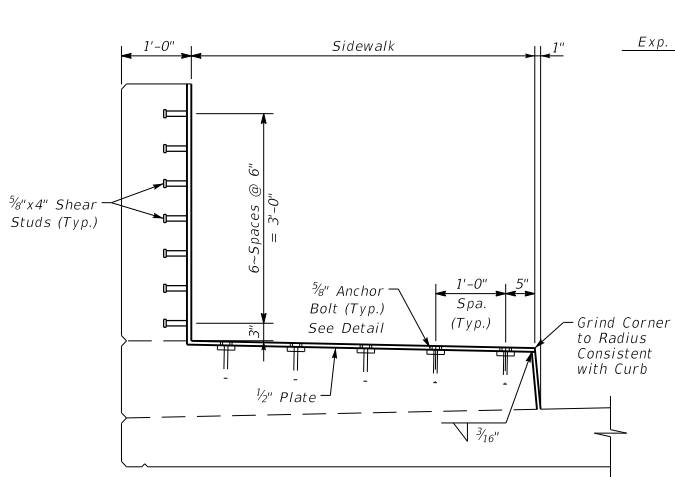


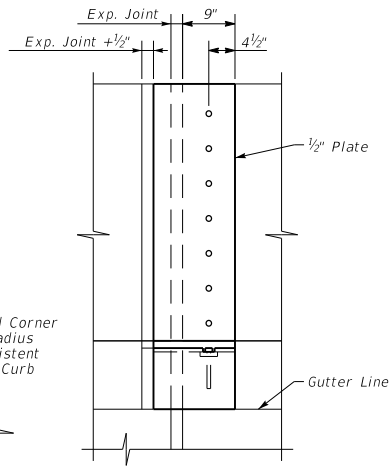
**TYPE 3 SLIDE PLATE**



**SINGLE SLOPE SLIDE PLATE**



**SIDEWALK SLIDE PLATE**



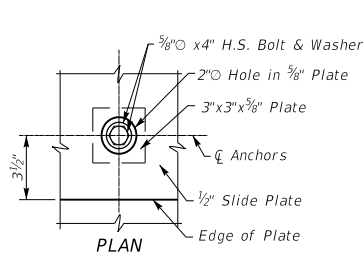
**General Notes**

**SPECIFICATIONS:** All references to the Specifications are to the current edition of the Kentucky Department of Highways Standard Specifications for Road and Bridge Construction. All references to the AASHTO Specifications are to the current edition of the AASHTO Standard Specifications for Highway Bridges.

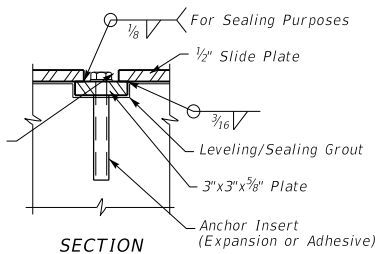
**MATERIAL SPECIFICATIONS:** Steel material shall be new, M270 GR50 steel suitable for welding. Shop drawings will be required for the assembly. Anchor studconnectors shall conform to ASTM A108, Grade 1015. Acceptance will be based on visual inspection by the Engineer. Joint sealing material, only, is in accordance with Section 807 of the Specifications. Ensure stud shear connectors conform to ASTM A108, Grade 1015. All structural steel shall be galvanized in accordance with ASTM A123.

**WELDING SPECIFICATIONS:** Ensure techniques and welding procedure comply with current joint specification ANSI/AASHTO/AWS D1.5 Bridge Welding Code.

**BASIS OF PAYMENT:** The cost of furnishing and placing the Expansion Joint and all plates, hardware and materials as shown in these assembly details shall be included in the contract unit price per linear foot, measured along centerline of joint between the ends of the trough. Joint assembly shall conform to the roadway grade and cross slope or 2% with parabolic crown.



After installation clean recess and fill with self leveling silicone sealant



**ANCHOR BOLT DETAIL**

KENTUCKY  
DEPARTMENT OF HIGHWAYS

EXPANSION JOINT  
COVER PLATE DETAILS

STANDARD DRAWING NO. BJE-004

SUBMITTED *Bob Adams* 02-26-20  
DIRECTOR DIVISION OF STRUCTURAL DESIGN DATE

APPROVED *[Signature]* 02-26-20  
STATE REGISTERED ENGINEER DATE