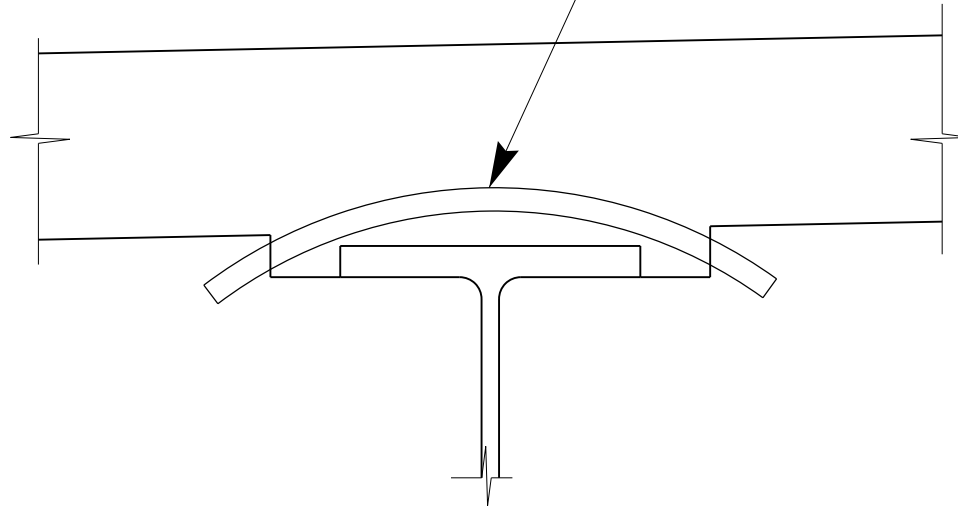


*1" I.D. Plastic Pipe
Field Bend as Shown*



NOTE: *When Slab is used and high water expected over bottom of beam elevation, place 1" plastic pipe above beams 4'-0" from each end. Work and material is incidental to superstructure concrete.*

AIR VENT DETAIL

KENTUCKY
DEPARTMENT OF HIGHWAYS

AIR VENT
DETAILS

STANDARD DRAWING NO. BGX-026
SUBMITTED: *B. J. Adams* 02-26-20
DIRECTOR DIVISION OF STRUCTURAL DESIGN DATE
APPROVED: *[Signature]* 02-26-20
STATE ENGINEER DATE