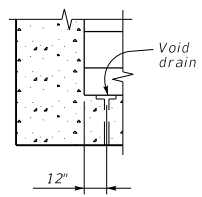


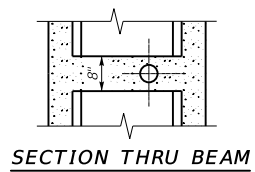
TYPICAL STRAIGHT END

NOTE: Void omitted on 12" beams.



VOID DRAIN DETAIL

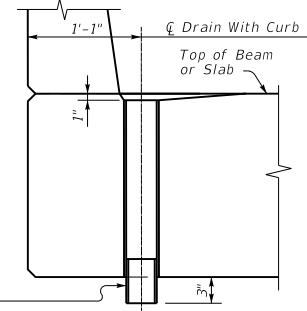
Locate two drains at each end of each void. Provide 1" drains of a type approved by the Division of Materials.



SECTION THRU BEAM

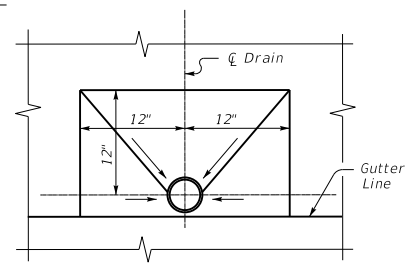
Diaphragms may be omitted if void is cut to allow drain to be encased with a minimum 2" of concrete.

Provide drains on both sides of bridge with normal crown and on low side only for superelevated bridges. Space drains at maximum 12'-6" on centers with a minimum of one placed each gutter line per span. Omit drains when span crosses over a highway or railroad. Include the cost of pipe and fittings in the price of beam.



SECTION THRU DRAIN EXTERIOR BOX BEAM
(Showing coupling in barrier)

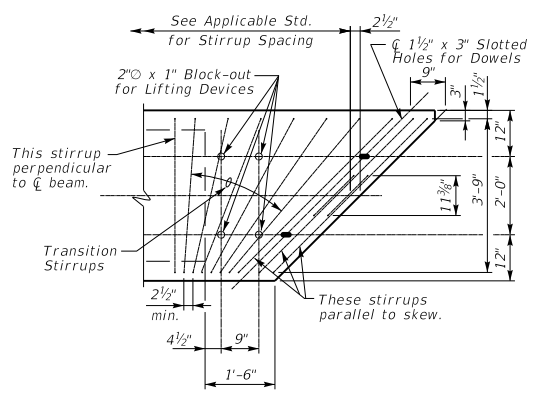
NPS Designation 4 Standard coupling and nipple in accordance with ASTM A53. Nipple to be installed in field



TOP VIEW OF DRAIN

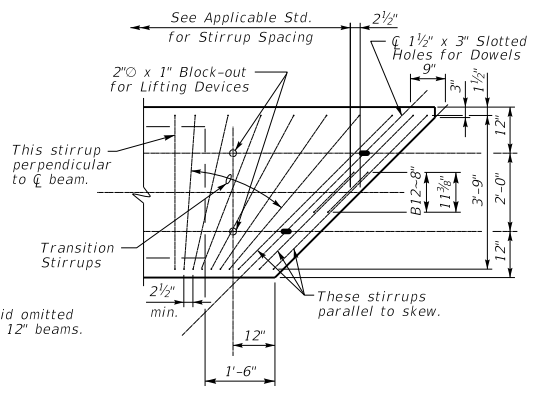
DRAIN DETAILS

(For Spans With Curbs)



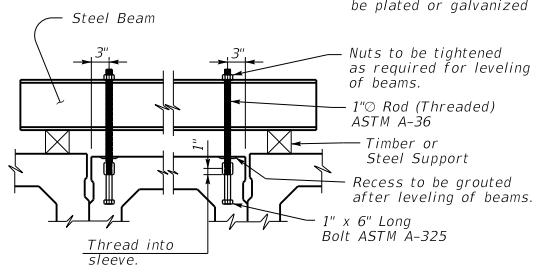
TYPICAL SKEWED END FOR BEAMS OVER 50 FEET

(Right Skew Shown, Left Opposite Hand)



TYPICAL SKEWED END FOR BEAMS 50 FEET OR LESS

NOTE: Void omitted on 12" beams.

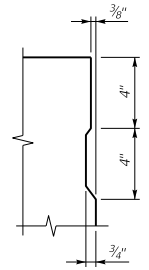


LEVELING DEVICE DETAILS

Locate inserts at the center of beams up to 50 ft. and at diaphragm locations of beams over 50 ft. Include the cost of materials and labor involved in leveling beams in the price for beams. Submit alternate leveling devices to the Division of Bridge Design for approval.

NOTE: Inserts are to be plated or galvanized

NOTE: Omit shear key on exterior face of exterior beam.



SHEAR KEY DETAIL

KENTUCKY DEPARTMENT OF HIGHWAYS	
BOX BEAM MISCELLANEOUS DETAILS	
STANDARD DRAWING NO. BDP-003-03	
SUBMITTED	02-26-20
DIRECTOR DIVISION OF STRUCTURAL DESIGN	
DATE	DATE
APPROVED	02-26-20
STATE ENGINEER	
DATE	DATE