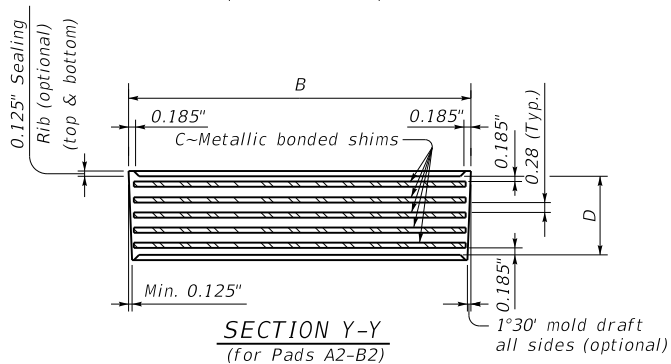
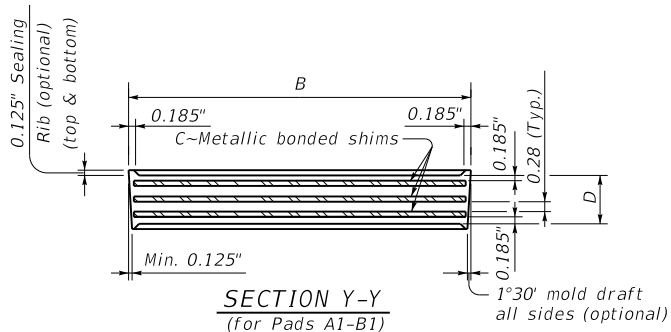


DIMENSIONS FOR BOX-BEAM PADS						
PAD	A	B	C	D	*MAXIMUM REACTION	MAXIMUM MOVEMENT (One Direction)
A1	1'-10"	7"	3~0.12" x 21.630" x 6.630"	1.290"	173k	0.500"
A2	1'-10"	7"	5~0.12" x 21.630" x 6.630"	2.090"	173k	0.750"
B1	11"	7"	3~0.12" x 10.630" x 6.630"	1.290"	69k	0.500"
B2	11"	7"	5~0.12" x 10.630" x 6.630"	2.090"	69k	0.750"

\* These reactions are based on service loads, use actual reactions to determine anchorage requirements for pads.



### GENERAL NOTES

**SPECIFICATIONS:** Fabricate the Elastomeric Bearing Pads to the design and dimensions as shown on these drawings and to AASHTO LRFD Bridge Construction Specifications, Section 18.

Ensure bearings are low temperature Grade 3 with durometer hardness of 50 and subjected to the load testing requirements corresponding to Design Method A.

Include the price of bearing pads in the bid for the beams.

KENTUCKY DEPARTMENT OF HIGHWAYS		
ELASTOMERIC BEARING PADS FOR BOX BEAMS		
STANDARD DRAWING NO. BBP-003-02		
SUBMITTED	<i>B. J. Adams</i>	02-26-20 DATE
DIRECTOR DIVISION OF STRUCTURAL DESIGN		
APPROVED	<i>[Signature]</i>	02-26-20 DATE
STATE ENGINEER		