

GENERAL NOTES

SPECIFICATIONS: All references to the Standard Specifications are to the current edition of the Kentucky Department of Highways Standard Specifications for road and bridge construction.

CONCRETE: Use class 'D' modified concrete in piles. Cylinder strength shall be 4000 psi at the time of release of the prestress strands and 5000 psi minimum at 28 days.

PRESTRESS STRANDS: Ensure prestressing reinforcement to be 1/2 inch nominal diameter uncoated seven-wire low lax strand conforming to the requirements of grade 270, AASHTO M203, current edition.

DESIGN STRESSES: Initial strand tension=30,982 pounds. f's=270,000 psi. (strands) f's=20,000 psi (mild reinforcement) f'c=5,000 psi. f'c at transfer=4000 psi. Spiral reinforcement wire W3.5 conforming to ASTM A82.

DRIVING PILES: Protect piles heads from direct hammer impact by using approved cushion blocks.

EDGES: Chamfer all edges one inch or rounded to approximately one inch radius.

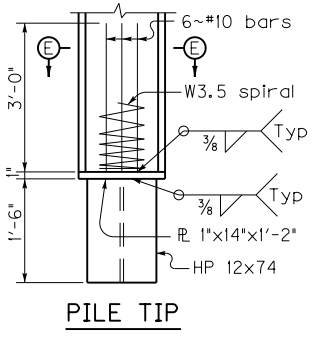
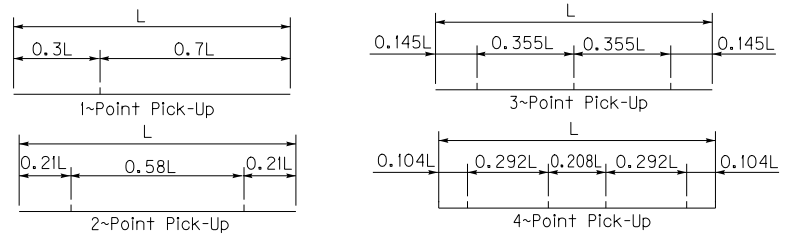
BUILD-UP AND SPLICES: Build-ups and splices may be used, as detailed, if authorized by the Engineer.

FORMS: For forming the exterior of piles, the use of steel forms on concrete casting beds is required unless otherwise approved by the Engineer. Ensure concrete finish conforms to Subsection 60L.03.18, Part A of the Specifications.

PAYMENT: Payment is to be made on the basis of the unit price bid per linear foot of piling. See Section 604.04 of the Specifications.

PILE TIP: Use pile tips when specified in the bridge plans and the pile is used as a point bearing pile. Include the cost of pile tip in the unit price bid per linear foot of piling.

Pick-up Method	Maximum Length
1~Point	54 ft.
2~Point	77 ft.
3~Point	111 ft.
4~Point	151 ft.



All lifting to be at pick-up points. Clearly mark all pick-up points.

KENTUCKY DEPARTMENT OF HIGHWAYS

14" PRECAST PRESTRESSED CONCRETE PILE

STANDARD DRAWING NO. BPC-011-07

SUBMITTED: *[Signature]* 12-01-99 DATE
 DIRECTOR, DIVISION OF BRIDGE DESIGN

APPROVED: *[Signature]* 12-01-99 DATE
 STATE HIGHWAY ENGINEER