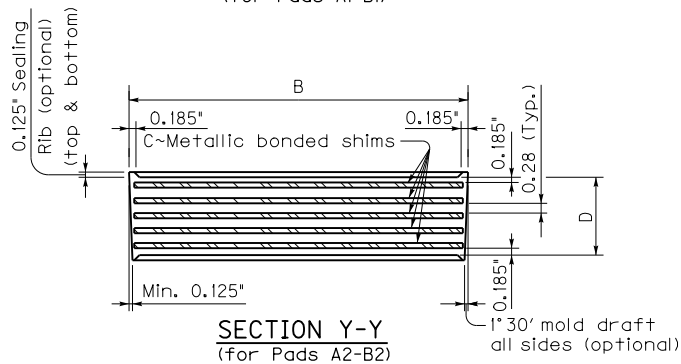
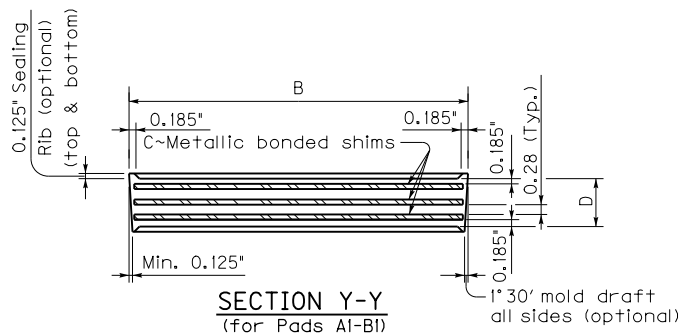


DIMENSIONS FOR BOX-BEAM PADS							
PAD	A	B	C	D	*MAXIMUM REACTION	MAXIMUM MOVEMENT (One Direction)	
A1	1'-10"	7"	3~0.12" x 21.630" x 6.630"	1.290"	173k	0.500"	
A2	1'-10"	7"	5~0.12" x 21.630" x 6.630"	2.090"	173k	0.750"	
B1	11"	7"	3~0.12" x 10.630" x 6.630"	1.290"	69k	0.500"	
B2	11"	7"	5~0.12" x 10.630" x 6.630"	2.090"	69k	0.750"	

\* These reactions are based on service loads, use actual reactions to determine anchorage requirements for pads.



### GENERAL NOTES

SPECIFICATIONS: Fabricate the Elastomeric Bearing Pads to the design and dimensions as shown on these drawings and to AASHTO LRFD Bridge Construction Specifications, Section 18.

Ensure bearings are low temperature Grade 3 with durometer hardness of 50 and subjected to the load testing requirements corresponding to Design Method A.

Include the price of bearing pads in the bid for the beams.

<b>KENTUCKY DEPARTMENT OF HIGHWAYS</b>		
<b>ELASTOMERIC BEARING PADS FOR BOX BEAMS</b>		
STANDARD DRAWING NO. BBP-003-02		
SUBMITTED	<i>Mark Nite</i>	12-01-11
DIRECTOR DIVISION OF STRUCTURAL DESIGN		DATE
APPROVED	<i>[Signature]</i>	12-01-11
STATE HIGHWAY ENGINEER		DATE