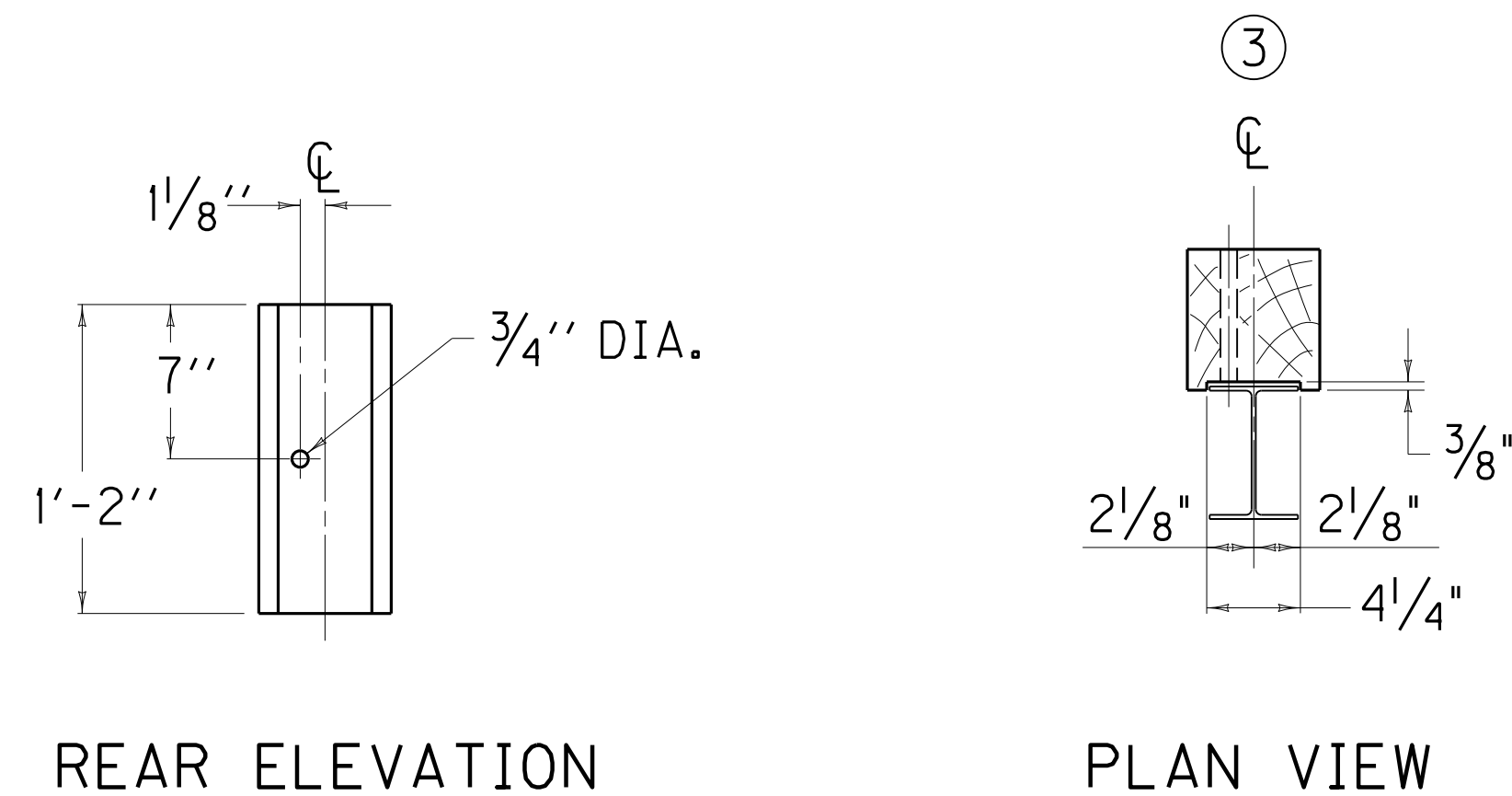
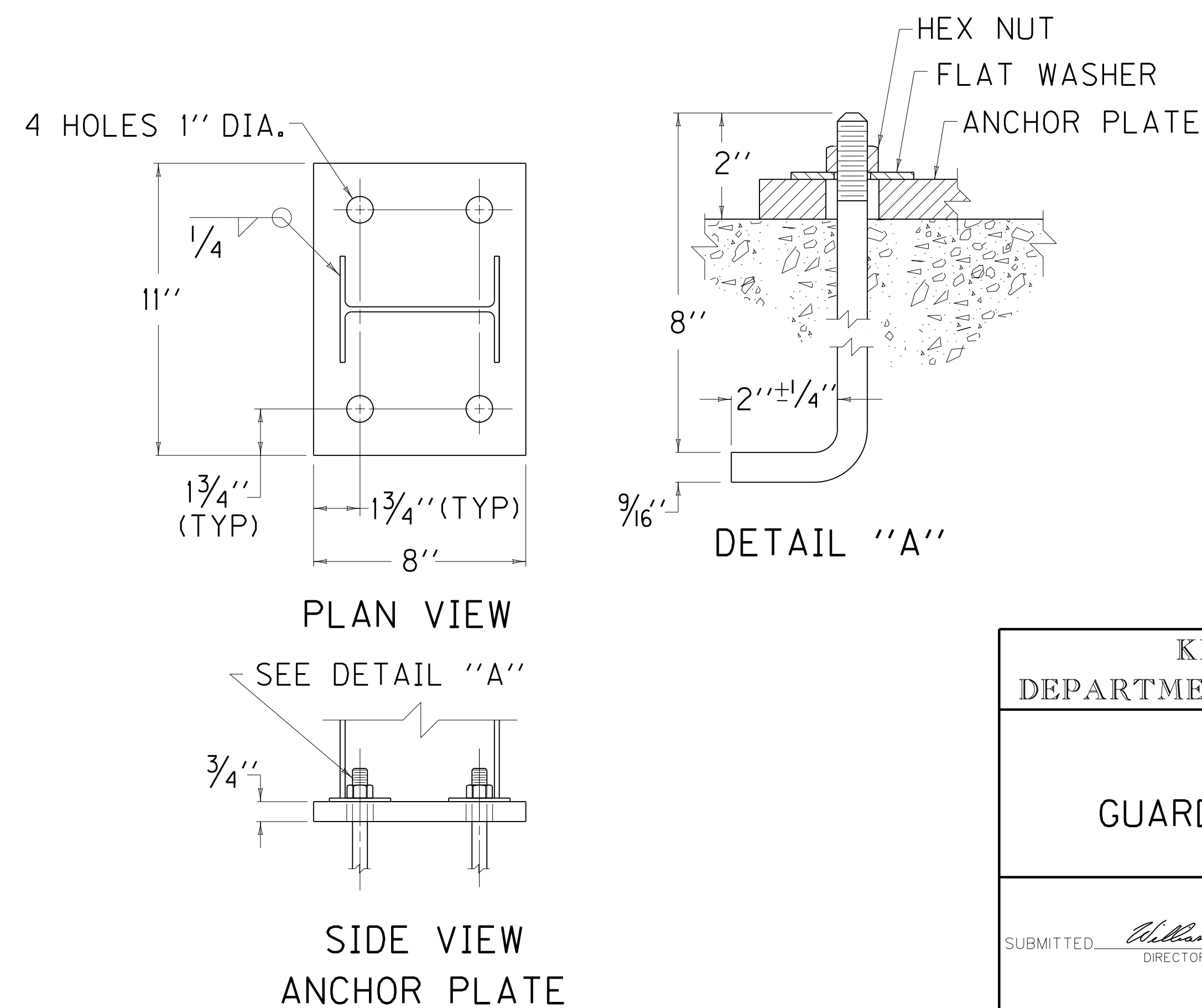


~ W6 X 9.0 STEEL POST ① ~



OFFSET BLOCK TYPE 4  
6" X 8" (Nominal Size)  
(TIMBER OR APPROVED COMPOSITE)  
(FOR USE WITH STEEL POST ONLY)

- ~ NOTES ~
- ① W6 X 8.5 IS AN ACCEPTABLE ALTERNATE.
  - ② THESE HOLES ARE REQUIRED FOR ATTACHING RAIL.
  - ③ TIMBER OR COMPOSITE BLOCKOUTS MAY BE USED WITH STEEL POST.



KENTUCKY  
DEPARTMENT OF HIGHWAYS

STEEL  
GUARDRAIL POSTS

SUBMITTED: *William S. Hallock* 3-06-18  
DIRECTOR DIVISION OF DESIGN DATE