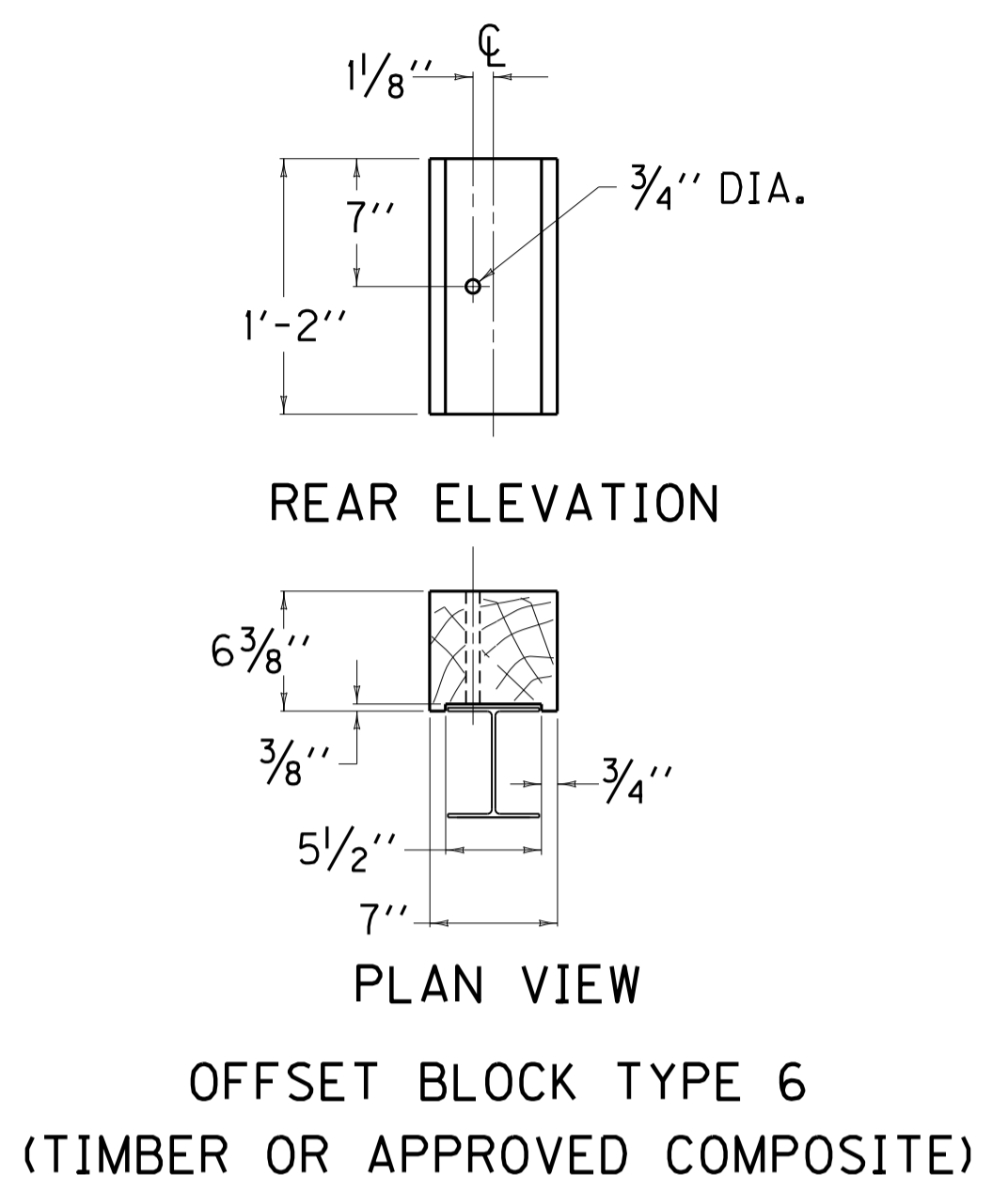
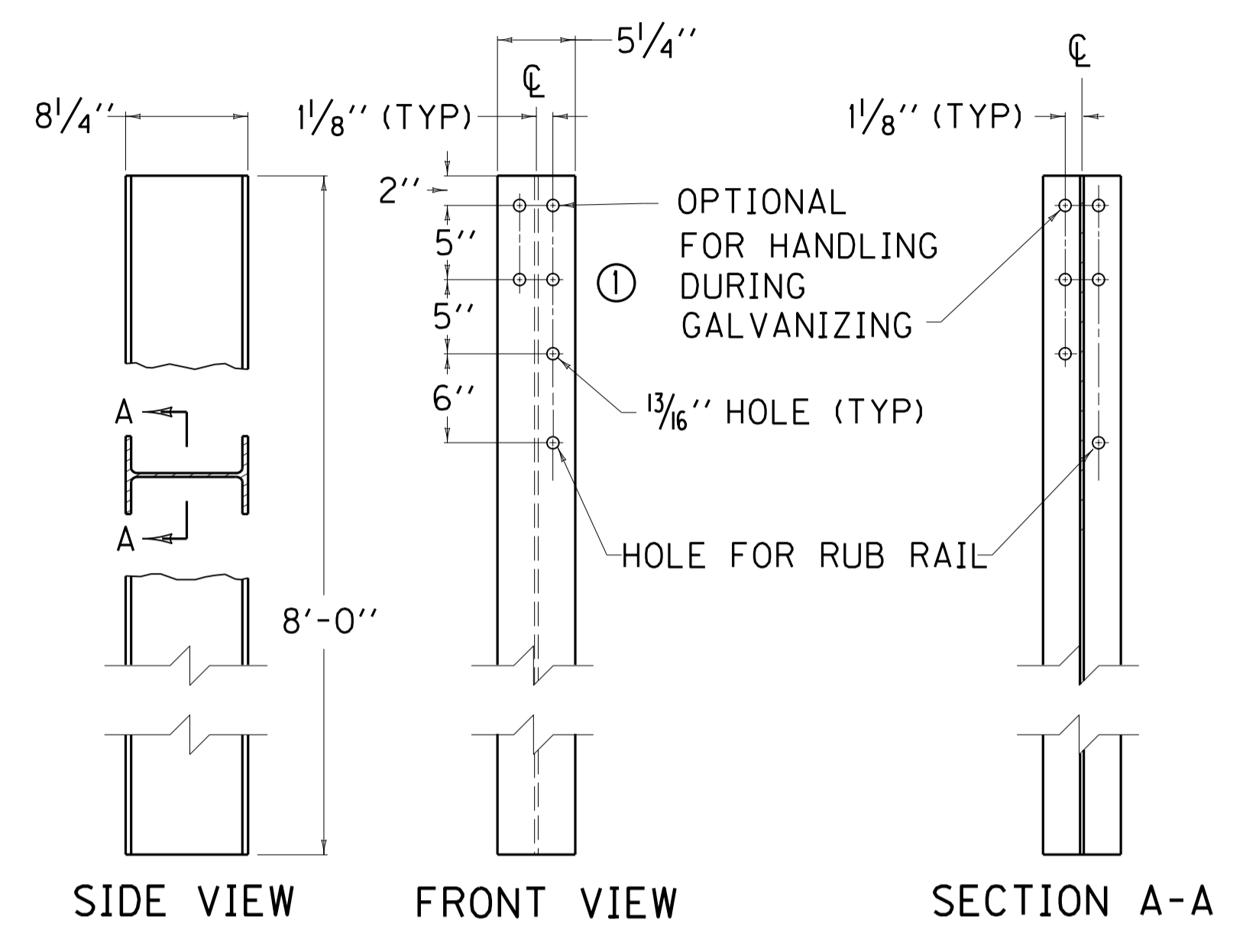


~ W6 X 9.0 STEEL GUARDRAIL POST ~  
(USED WITH C6 X 8.2 RUB RAIL)

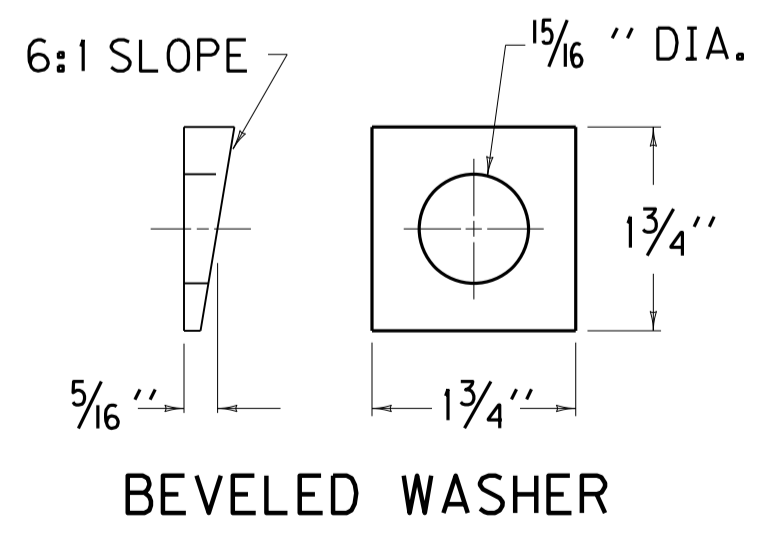
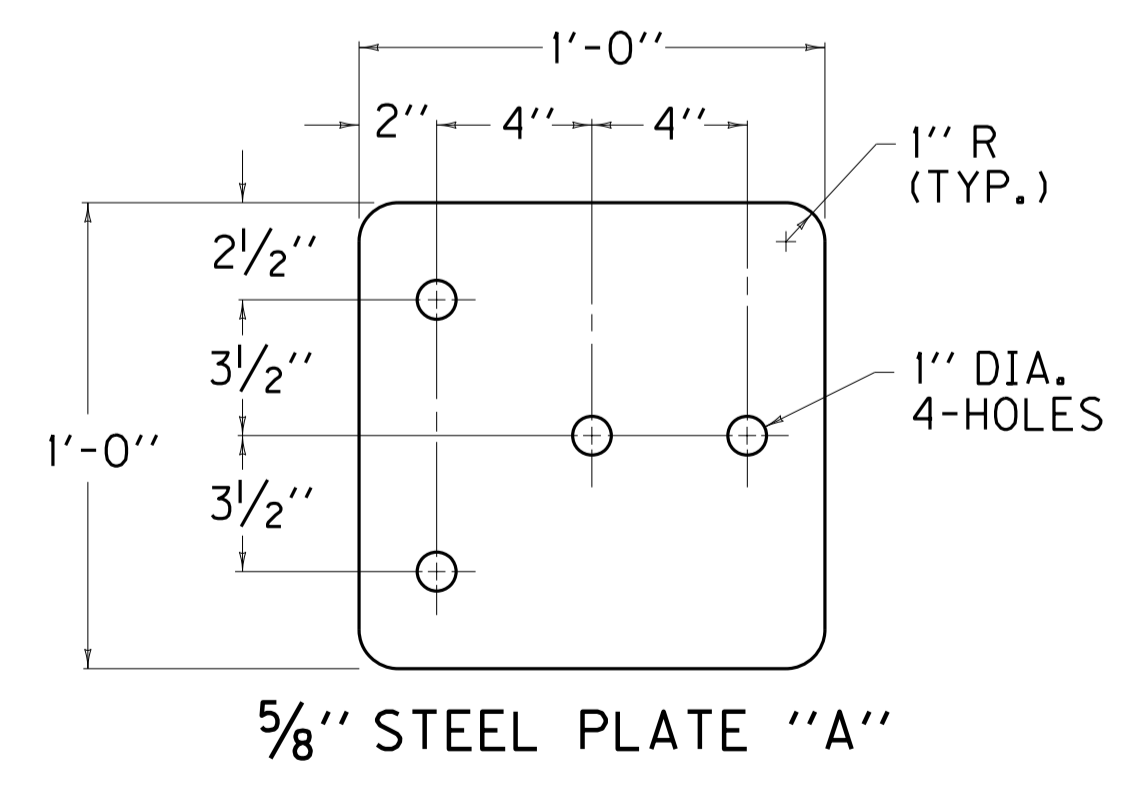


~ W8 X 21 STEEL GUARDRAIL POST ~



~ W8 X 21 STEEL GUARDRAIL POST ~

~ NOTES ~  
① THESE HOLES ARE REQUIRED FOR ATTACHING RAIL.



USE WITH CUR. STD. DWGS.  
RBC-002, RBC-005, RBC-006

KENTUCKY  
DEPARTMENT OF HIGHWAYS

GUARDRAIL CONNECTOR  
TO BRIDGE END  
TYPE A AND A-1  
COMPONENTS

SUBMITTED *[Signature]* 12-20-18  
ACTING DIRECTOR DIVISION OF DESIGN DATE

013