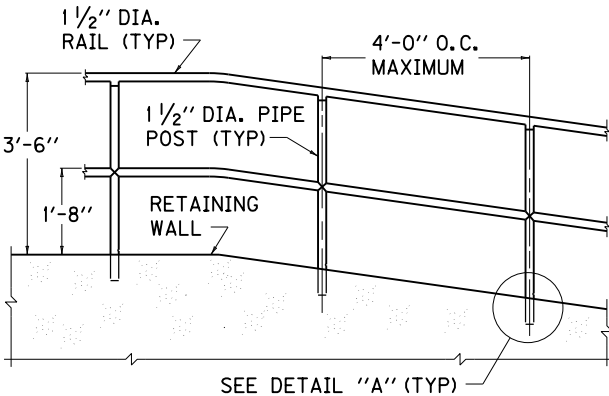
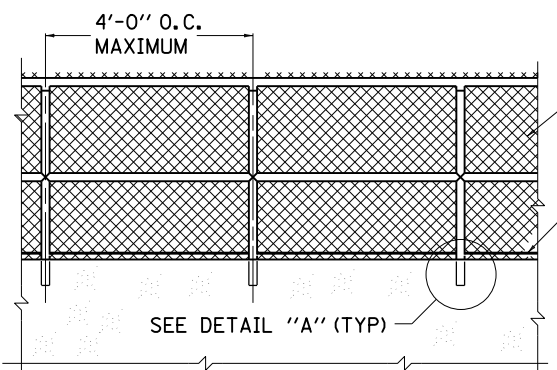


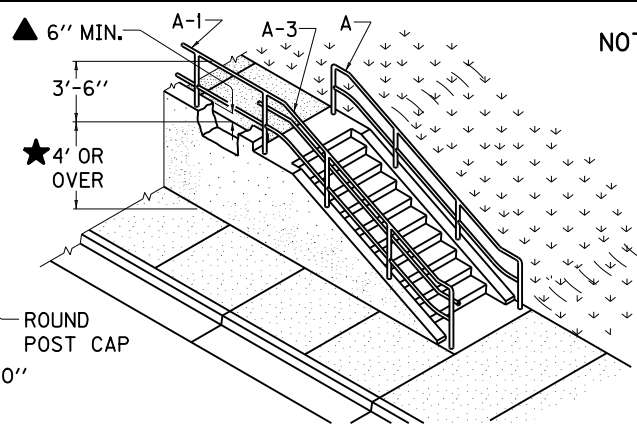
ELEVATION OF HANDRAIL TYPE A-4



ELEVATION OF HANDRAIL TYPE A-1

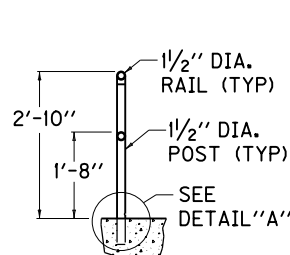


ELEVATION OF HANDRAIL TYPE A-2

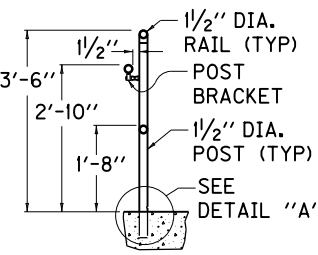


ISOMETRIC OF HANDRAIL TYPE A, A-1 AND A-2
HANDRAIL TYPE DESCRIPTION TABLE

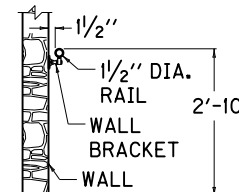
TYPE	HEIGHT REQD.	FENCE REQD.	MAX. POST SPACING	NO. OF RAILS
A	2'-10"	NO	4'-0"	2
A-1	3'-6"	NO	4'-0"	2
A-2	3'-6"	YES	4'-0"	2
A-3	3'-6"	NO	4'-0"	3
A-4	3'-6"	YES	4'-0"	3



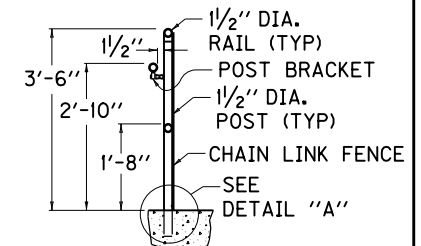
SECTION OF HANDRAIL TYPE A



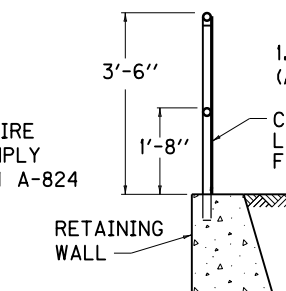
SECTION OF HANDRAIL TYPE A-3



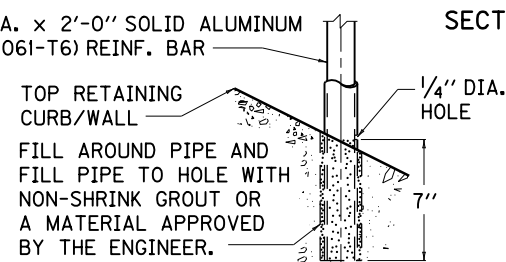
SECT. FOR WALL MOUNTED HANDRAIL



SECT. OF HANDRAIL TYPE A-4



SECTION OF HANDRAIL TYPE A-2



DETAIL "A"

NOTES: BID ITEM AND UNIT TO BID PER LINEAR FOOT: HANDRAIL TYPE A, A-1, A-2, A-3 OR A-4.

HANDRAIL WITH INTERNAL CONNECTIONS: HANDRAIL SHALL BE CONSTRUCTED OF 1 1/2" SCHEDULE 40 ALUMINUM PIPE IN ACCORDANCE WITH ASTM B221 ALLOY 6063-T52 FOR RAIL AND ASTM B210 ALLOY 6063-T832 FOR POSTS.

~OR~
HANDRAIL WITH WELDED CONNECTIONS: HANDRAIL SHALL BE CONSTRUCTED OF 1 1/2" SCHEDULE 40 ALUMINUM PIPE IN ACCORDANCE WITH ASTM B221 OR B210 ALLOY 6061-T6.

ANCHOR POST IN FORMED HOLES (SEE DETAIL "A"). FOR INSTALLATION PROCEDURES OF THE CHAIN LINK FENCE AS APPLICABLE SEE CUR. STD. DWG. RFC-001.

HANDRAIL SHALL BE REQUIRED WITH THREE OR MORE STEPS. HANDRAIL IS OPTIONAL WITH LESS THAN THREE STEPS.

★ HANDRAIL USED AS A TOP HANDRAIL ON STEPS AND HANDRAIL USED ON A RETAINING WALL SHALL BE REQUIRED WHEN THE ADJACENT FLOOR, GROUND LEVEL, ROAD, WALK, ETC. IS 4' OR MORE BELOW THE TOP OF THE RETAINING WALL.

▲ THE TOP OF THE RETAINING WALL OR CURB SHALL BE A MIN. OF 6" ABOVE THE ADJOINING SIDEWALK.

① A DISTANCE OF 1'-0" MIN. SHALL BE PARALLEL TO THE STEP RUNNER.

ALL INTERNAL CONNECTIONS SHALL BE MADE WITH AN EPOXY ADHESIVE (RECOMMENDED BY THE MANUFACTURE), STAINLESS STEEL MACHINE SCREWS WITH LOCK WASHERS, AND THREADED TUBULAR RIVETS IN ORDER TO PROVIDE A SMOOTH INSTALLATION. EXPANSION JOINTS SHALL BE PROVIDED APPROX. 20'-0" O.C.

SIDEWALK SLABS SHALL BE THICKENED TO 8"x8"x8" AT POST LOCATIONS.

KENTUCKY
DEPARTMENT OF HIGHWAYS

HANDRAIL TYPE
A, A-1, A-2, A-3, A-4

STANDARD DRAWING NO. RGX-030-06

SUBMITTED: John B. Doelstein 12-1-99
DIRECTOR DIVISION OF DESIGN DATE

APPROVED: J. M. [Signature] 12-1-99
STATE HIGHWAY ENGINEER DATE