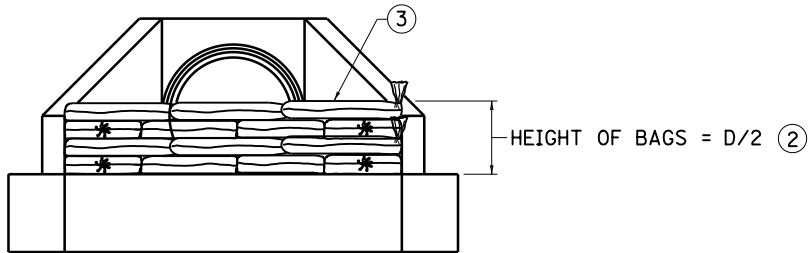


PLAN VIEW



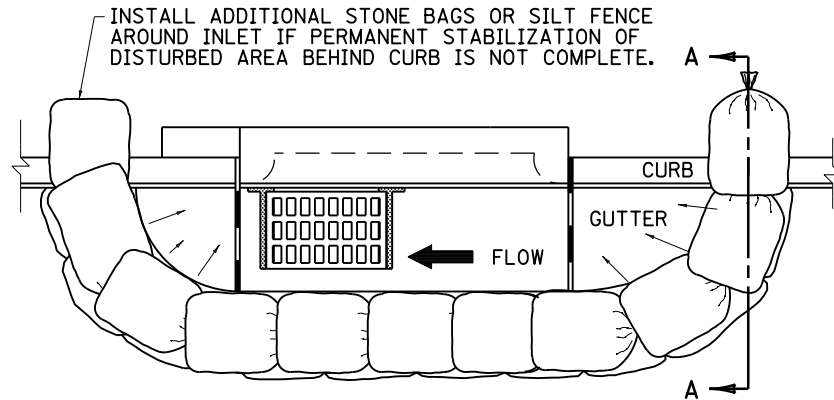
FRONT ELEVATION

~NOTES~

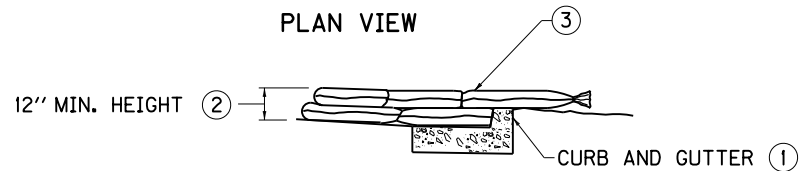
SILT TRAP TYPE C SHALL INCLUDE GEOTEXTILE FABRIC BAGS, NO. 57 STONE, LABOR AND ALL INCIDENTALS NECESSARY FOR ONE COMPLETE INSTALLATION. BID ITEM AND UNIT TO BID:

| CODE | PAY ITEM               | PAY UNIT |
|------|------------------------|----------|
| 2705 | SILT TRAP TYPE C       | EACH     |
| 2708 | CLEAN SILT TRAP TYPE C | EACH     |

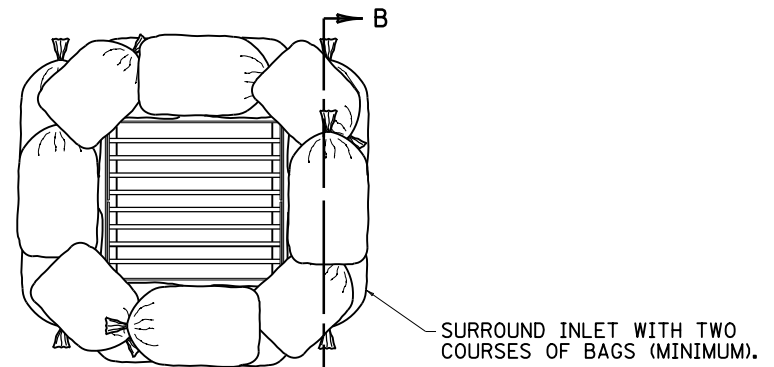
- ① INLET PROTECTION IS SUITABLE FOR USE IN BOTH PAVED AND UNPAVED AREAS.
- ② THE HEIGHT REQUIREMENT IS WAIVED IN CASES WHERE IT WILL CREATE AN UNACCEPTABLE PONDING SITUATION ON THE PAVEMENT OR ON AN ADJACENT PROPERTY.
- ③ INTERWEAVE BAG ENDS TO FILL GAPS BETWEEN BAGS.
4. CONSTRUCT 18" X 30" BAGS OF NON-WOVEN TYPE II GEOTEXTILE FABRIC CONFORMING TO SECTION 843 OF THE STANDARD SPECIFICATIONS. DOUBLE STITCH BAG SEAMS WITH 1 LB. POLYESTER THREAD. ATTACH ONE (1) TIE STRING TO EACH BAG. BAG OPENING SHALL BE ON 18" SIDE.
5. FILL BAGS WITH NO. 57 STONE BETWEEN 1/2 TO 2/3 FULL (50 LB TO 60 LB).
6. SILT TRAP TYPE C SHALL NOT BE USED IN BLUE LINE STREAMS.



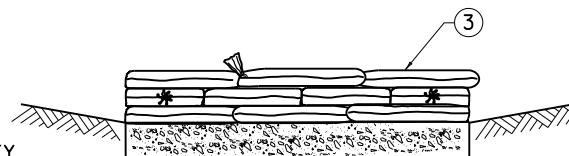
PLAN VIEW



SECTION A~A



PLAN VIEW



SECTION B~B

KENTUCKY  
DEPARTMENT OF HIGHWAYS

SILT TRAP TYPE C

STANDARD DRAWING NO. RDX-230

|                                  |          |
|----------------------------------|----------|
| SUBMITTED: <i>David Kett</i>     | 11-21-07 |
| DIRECTOR DIVISION OF DESIGN      | DATE     |
| APPROVED: <i>Matthew Mathews</i> | 11-21-07 |
| STATE HIGHWAY ENGINEER           | DATE     |