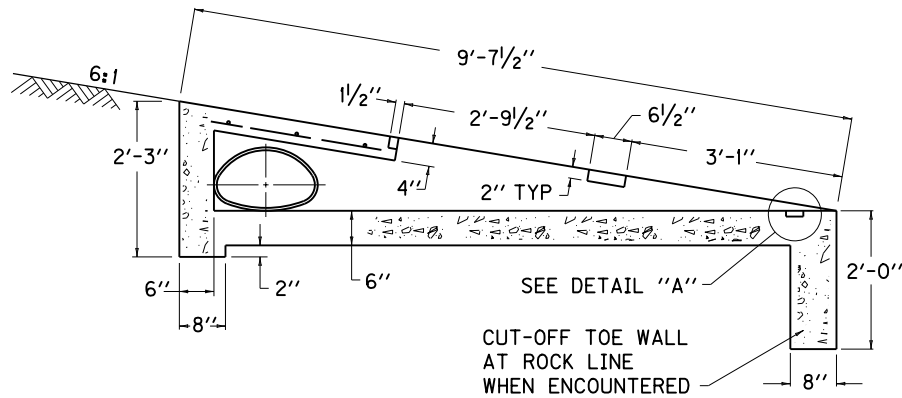
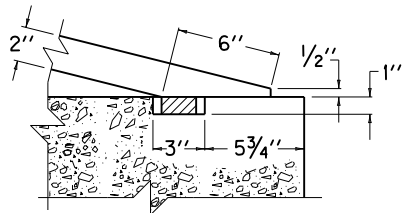


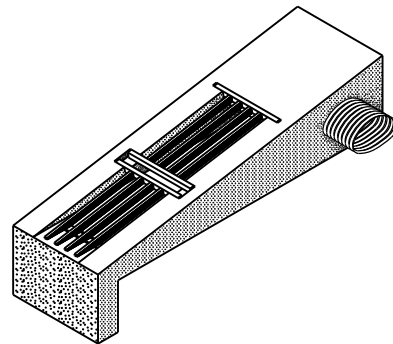
PLAN VIEW



SECTION A-A



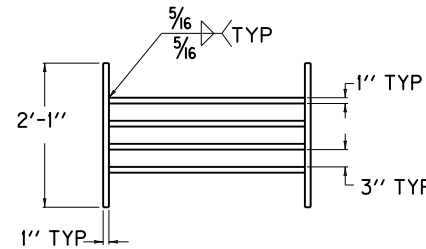
DETAIL "A"



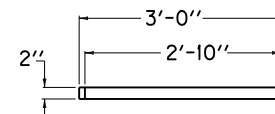
ISOMETRIC VIEW

NOTES

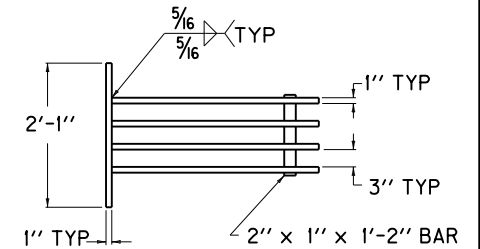
1. THE UNIT PRICE BID FOR EACH STRUCTURE SHALL INCLUDE ALL CONCRETE, STRUCTURAL STEEL GRATINGS, STEEL REINFORCEMENT, EXCAVATION, LABOR, AND ALL OTHER INCIDENTALS NECESSARY FOR ITS CONSTRUCTION AS DETAILED ON THIS SHEET.
2. PRIMARY USE 6:1 DEPRESSED MEDIAN LOCATION.
3. PIPE SHALL BE METAL PIPE ARCH (15" EQUIV. ROUND).



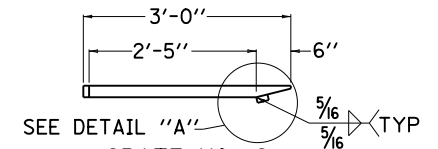
GRATE NO. 1
PLAN VIEW



GRATE NO. 1
SIDE ELEVATION



GRATE NO. 2
PLAN VIEW



GRATE NO. 2
SIDE ELEVATION

APPROXIMATE QUANTITIES				
CLASS "A" CONC.	GRATE	LBS. STRUCTURAL STEEL		STEEL REINF. LBS.
		NUMBER	TOTAL POUNDS	
1.1	1	106	206	8
	2	100		

KENTUCKY
DEPARTMENT OF HIGHWAYS

SLOPED BOX
INLET OR OUTLET
TYPE 2

STANDARD DRAWING NO. RDB-111-07

SUBMITTED: *John B. Sackett* DIRECTOR, DIVISION OF DESIGN 12-1-99 DATE

APPROVED: *J. M. [Signature]* STATE HIGHWAY ENGINEER 12-1-99 DATE