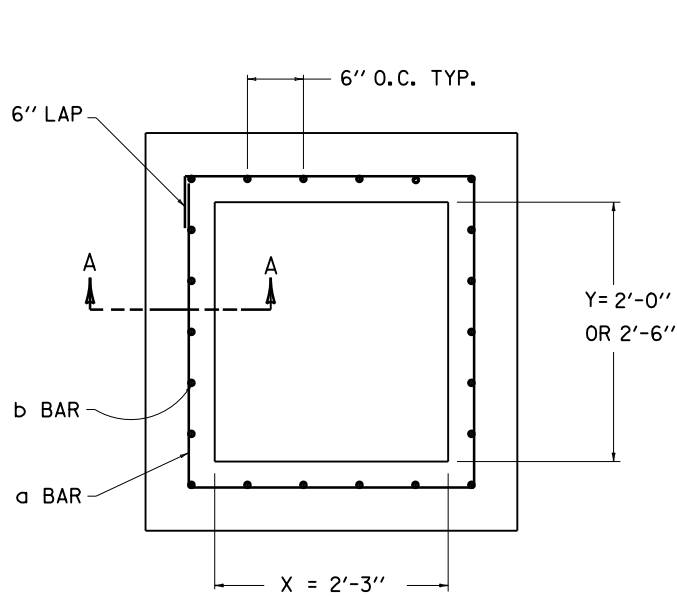
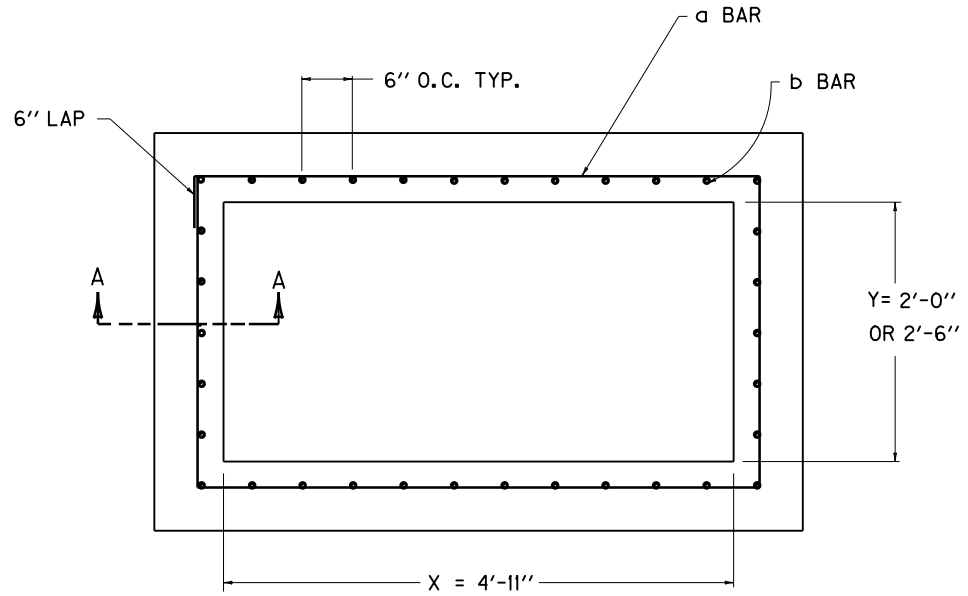


# ADDITIONAL STEEL REINFORCEMENT REQUIREMENTS

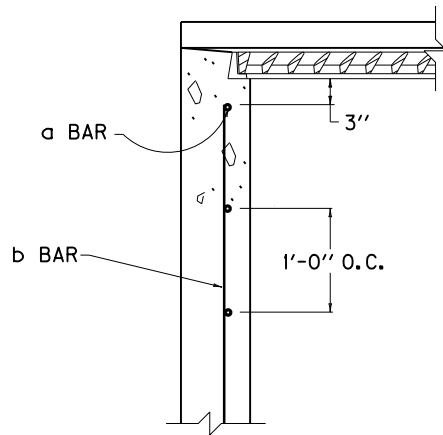
( RISER, H = 8'-0" TO 15'-0", GRADE AND SAG CONDITION )



GRADE CONDITION



SAG CONDITION



SECTION A-A

APPROXIMATE RISER QUANTITIES PER FOOT IN HEIGHT-NO. 5 BARS							
COND- ITION	SIZE		BAR a		BAR b		LBS STEEL
	X	Y	QTY.	LIN. FT.	QTY.	LIN. FT.	
GRADE	2'-3"	2'-0"	1	10'-9"	20	1'-0"	32
		2'-6"	1	11'-6"	22		35
SAG	4'-11"	2'-0"	1	16'-1"	32	1'-0"	50
		2'-6"	1	17'-1"	34		53

USE WITH CUR. STD. DWGS.:  
[RDI-200](#), [RDB-014](#), [RDB-030](#),  
[RDB-031](#), [RDB-032](#), [RDB-033](#),  
[RDB-035](#)

<b>KENTUCKY</b>	
<b>DEPARTMENT OF HIGHWAYS</b>	
<b>DROP BOX INLET</b>	
<b>TYPE 16</b>	
( ADDITIONAL STEEL- RISER )	
STANDARD DRAWING NO. RDB-034-03	
SUBMITTED <i>John B. Sackett</i>	12-1-99
DIRECTOR, DIVISION OF DESIGN	DATE
APPROVED <i>J. M. Howell</i>	12-1-99
STATE HIGHWAY ENGINEER	DATE