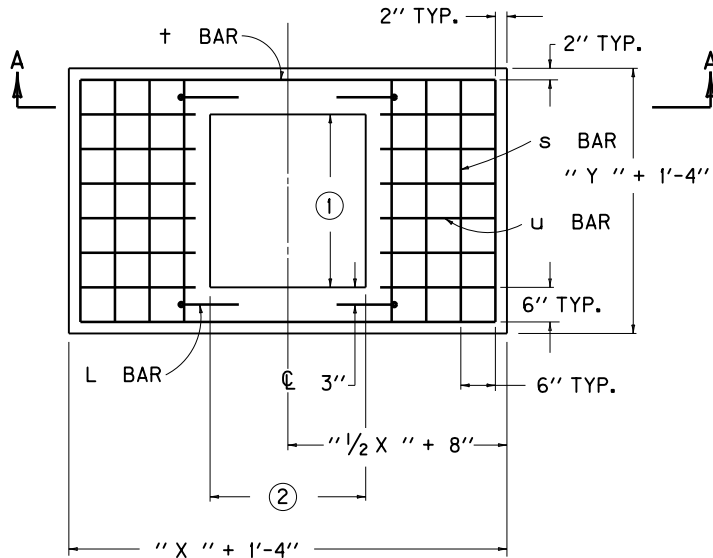


**REINFORCEMENT STEEL FOR 8" LID
(GRADE CONDITION)**

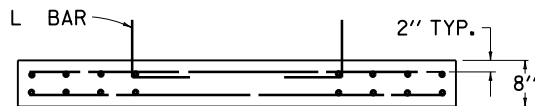
SIZE		NO. 5 STEEL BARS						LBS.
X	Y	BAR s		BAR †		BAR u		
		QTY.	LIN. FT.	QTY.	LIN. FT.	QTY.	LIN. FT.	
2'-3"	2'-0"	4	3'-0"	4	3'-3"	--	--	33
	2'-6"		3'-6"		--	--	35	
2'-6"	2'-0"	8	3'-0"	4	3'-6"	--	--	47
	2'-6"		3'-6"		--	--	51	
3'-0"	2'-0"	8	3'-0"	4	4'-0"	--	--	49
	2'-6"		3'-6"		--	--	53	
3'-6"	2'-0"	12	3'-0"	4	4'-6"	20	0'-11"	82
	2'-6"		3'-6"		24	0'-11"	89	
4'-0"	2'-0"	12	3'-0"	4	5'-0"	20	1'-2"	86
	2'-6"		3'-6"		24	1'-2"	101	
4'-6"	2'-0"	16	3'-0"	4	5'-6"	20	1'-5"	110
	2'-6"		3'-6"		24	1'-5"	124	
5'-0"	2'-0"	16	3'-0"	4	6'-0"	20	1'-8"	117
	2'-6"		3'-6"		24	1'-8"	132	

NOTES

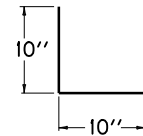
- ① 2'-0" FOR 12", 15", AND 18" OR 2'-6" FOR 24" SLOTTED DRAIN PIPE.
- ② DIMENSION VARIES DEPENDING UPON LOCATION OF BOX :
GRADE CONDITION = 2'-3"
SAG CONDITION = 4'-11"
3. IN ADDITION TO THE CHARTED STEEL, FOUR L BARS ARE REQUIRED IN THE LID AND ARE INCLUDED IN THE TOTALS.
4. CONCRETE QUANTITIES FOR LID ARE INCLUDED ON " DIMENSIONS AND ESTIMATE OF QUANTITIES FOR D.B.I. TYPE 16". SEE CUR. STD. DWG. [RDB-033](#)
5. LID REINFORCING STEEL NOT REQUIRED IN SAG LOCATION.
6. REINFORCEMENT SHALL HAVE A CLEAR DISTANCE OF 2" FROM THE OUTSIDE FACE UNLESS OTHERWISE SHOWN.



**DETAIL OF 8" LID
PLAN VIEW**



SECTION A-A



L BAR DETAIL

USE WITH CUR. STD. DWGS.:
[RDI-200](#), [RDB-014](#), [RDB-030](#),
[RDB-031](#), [RDB-033](#), [RDB-034](#),
[RDB-035](#)

KENTUCKY DEPARTMENT OF HIGHWAYS	
DROP BOX INLET TYPE 16	
(DETAIL & BAR CHART FOR LID)	
STANDARD DRAWING NO. RDB-032-03	
SUBMITTED <i>John B. Sackett</i> DIRECTOR, DIVISION OF DESIGN	12-1-99 DATE
APPROVED <i>J. M. Howell</i> STATE HIGHWAY ENGINEER	12-1-99 DATE