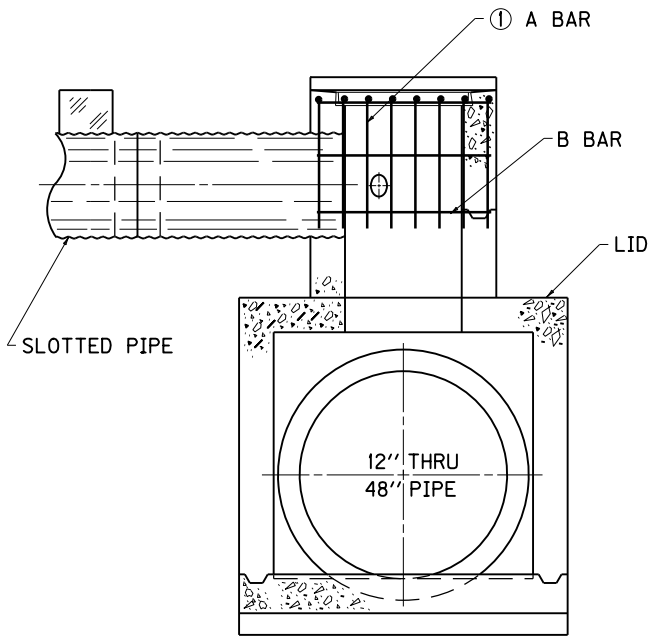
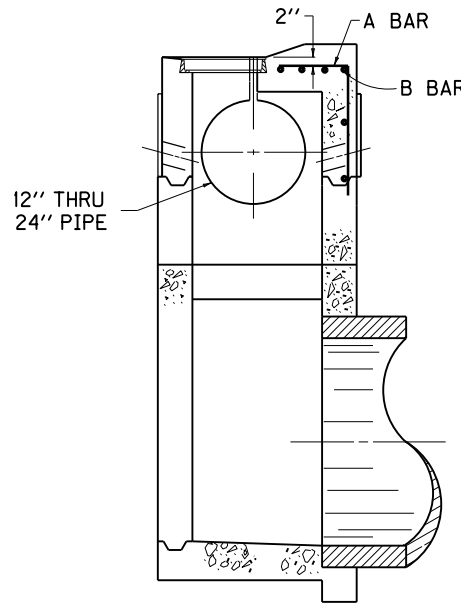


PLAN VIEW



SECTION A-A



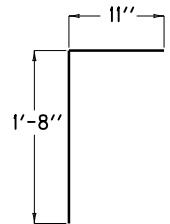
SECTION B-B

NOTES

- ① SLOTTED PIPE SIZE DENOTES WHICH A BAR TO USE, SEE STEEL CHART THIS DRAWING.
2. SEE CUR. STD. DWG. [RDB-032](#) FOR LID REINFORCEMENT.
3. REINFORCEMENT SHALL HAVE A CLEAR DISTANCE OF 2" FROM THE OUTSIDE FACE UNLESS OTHERWISE SHOWN.
4. SPACE A BARS APPROXIMATELY 6" CENTER TO CENTER.
5. SPACE B BARS AS SHOWN.

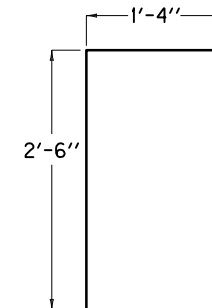
STEEL REINFORCEMENT CHART

NO. 5 BAR	SLOTTED PIPE SIZE	CONDITION	QTY.	LGTH.	TOTAL LBS
A BAR	12" THRU 18"	GRADE	8	2'-7"	22
B BAR			6	3'-3"	20
A BAR	18"	SAGE	13	2'-7"	35
B BAR			6	5'-11"	37
A BAR	24"	GRADE	8	3'-10"	32
B BAR			6	3'-3"	20
A BAR		SAGE	13	3'-10"	52
B BAR			6	5'-11"	37



**A BAR DETAIL
12" - 18" PIPE**

USE WITH CUR. STD. DWGS.:
[RDI-200](#), [RDB-014](#), [RDB-030](#),
[RDB-032](#), [RDB-033](#), [RDB-034](#),
[RDB-035](#)



**A BAR DETAIL
24" PIPE**

KENTUCKY DEPARTMENT OF HIGHWAYS	
DROP BOX INLET TYPE 16 (STEEL SHEET)	
STANDARD DRAWING NO. RDB-031-03	
SUBMITTED: <i>John B. Schlotter</i>	12-1-99 DATE
APPROVED: <i>F. M. Howell</i>	12-1-99 DATE
<small>DIRECTOR, DIVISION OF DESIGN STATE HIGHWAY ENGINEER</small>	