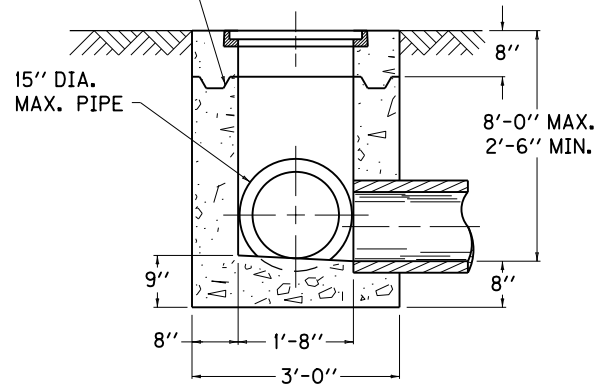
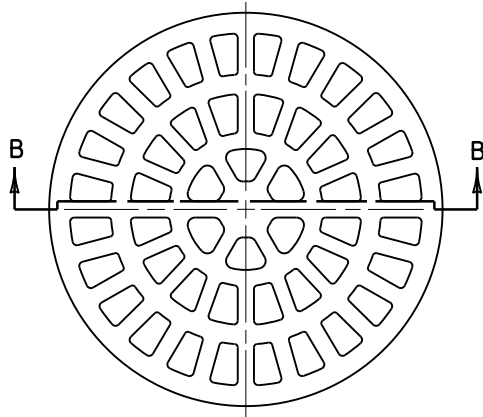


PLAN VIEW

CONSTRUCTION JOINT REQUIRED OR  
8" LID MAY BE PRECAST WITHOUT  
CONSTRUCTION JOINT.



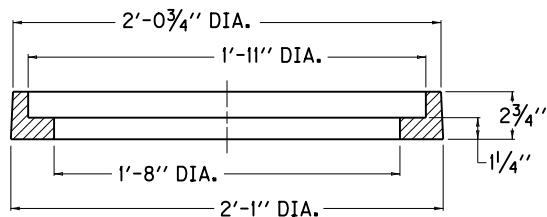
SECTION A-A



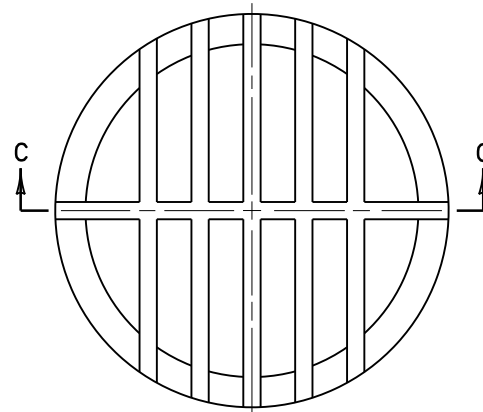
PLAN VIEW



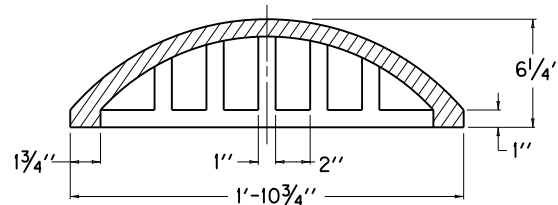
SECTION B-B TYPE 14  
(RADIAL)



SECTIONAL DETAIL OF FRAME



PLAN VIEW



SECTION C-C TYPE 15  
(BEEHIVE)

NOTES

1. TYPE 14 RADIAL GRATE HAS APPROXIMATELY 140 SQ. INCH OF TOTAL OPENING AREA.
2. APPROX. WEIGHT OF TYPE 14 ---- 95 LBS.  
APPROX. WEIGHT OF TYPE 15 ---- 120 LBS.  
APPROX. WEIGHT OF FRAME ----- 95 LBS.

BID ITEM SHALL BE:

DROP BOX INLET TYPE 14

OR

DROP BOX INLET TYPE 15

LIMITATIONS:

TYPE 14 -- FLUSH GRATE AND IS TRAVERSABLE.

TYPE 15 -- NON-TRAVERSABLE WITH MAXIMUM RESISTANCE TO CLOGGING.

PRIMARY USE:

( YARD SUMP )

KENTUCKY  
DEPARTMENT OF HIGHWAYS

DROP BOX INLET  
TYPE 14 AND 15

STANDARD DRAWING NO. RDB-020-04

SUBMITTED: *John B. Sackett* DIRECTOR, DIVISION OF DESIGN 12-1-99 DATE

APPROVED: *J. M. Howell* STATE HIGHWAY ENGINEER 12-1-99 DATE