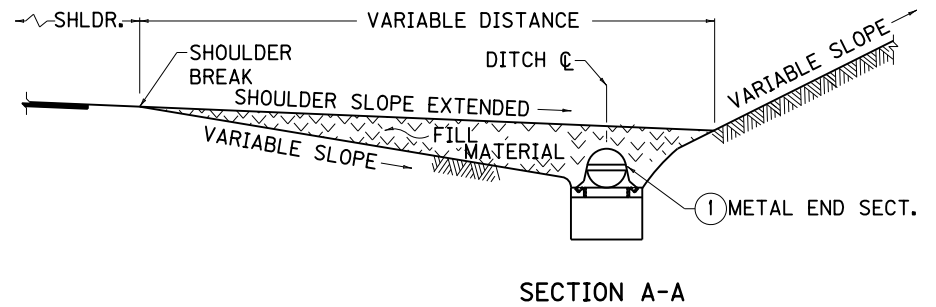
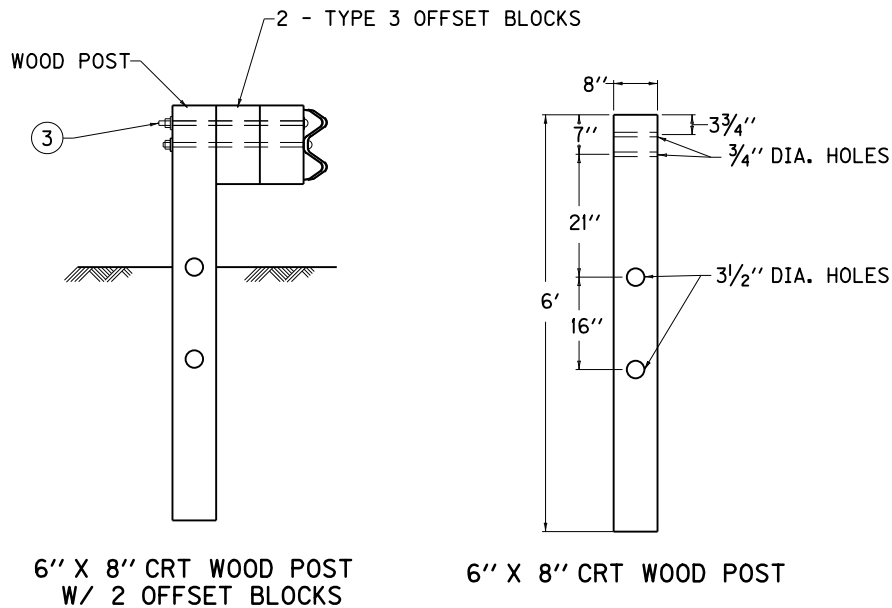


PLAN VIEW



SECTION A-A

- NOTES
- ① SEE CURRENT STANDARD DRAWING RDB-150 AND RDB-160 FOR METAL END SECTIONS.
 - ② A MINIMUM DISTANCE OF 5'-0" BEHIND THE RAIL SHALL BE CLEAR OF ANY FIXED OBJECT HAZARDS.
 - ③ 1 - 5/8" DIA. BOLT WITH TWO ROUND WASHERS.
 4. BID ITEMS AND UNIT TO BID:
 - A. CHANNEL LINING CLASS II - TON
 - B. END ANCHOR - CU. YD.
 - C. PIPE - L.F.
 SEE CURRENT STANDARD DRAWING RBR-030 FOR OTHER BID ITEMS.

USE WITH CUR. STD. DWGS.
 RDX-060, RDX-065, RBR-030,
 RDB-150 AND RDB-160

KENTUCKY
 DEPARTMENT OF HIGHWAYS

GUARDRAIL END
 TREATMENT TYPE 3
 PIPE DRAINAGE DETAIL

STANDARD DRAWING NO. RBR-031
 SUBMITTED *David Kott* 11-21-07
 DIRECTOR DIVISION OF DESIGN
 APPROVED *Matthew M. [Signature]* 11-21-07
 STATE HIGHWAY ENGINEER DATE