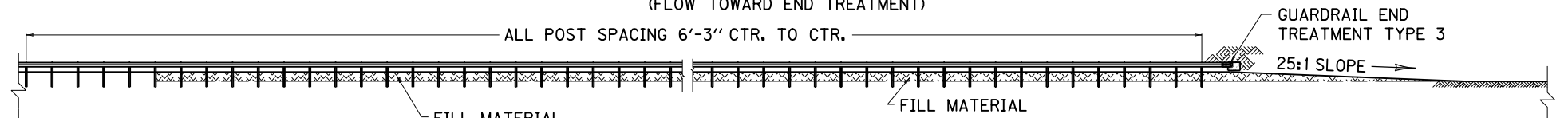


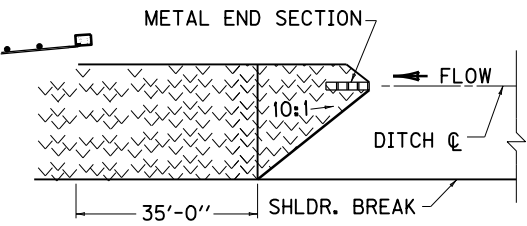
PLAN VIEW
(FLOW TOWARD END TREATMENT)



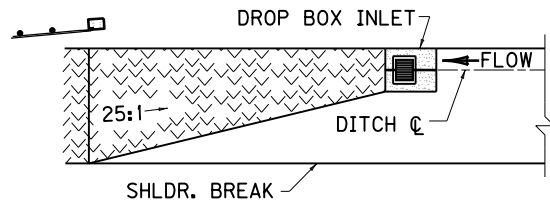
ELEVATION VIEW

NOTES

1. THE CONTRACT UNIT PRICE FOR GUARDRAIL END TREATMENT TYPE 3 SHALL INCLUDE THE CONCRETE BLOCK, TERMINAL SECTION NO. 2, FOUR BOLT INSERT ASSEMBLY AND ALL INCIDENTALS NECESSARY TO COMPLETE THE WORK.
2. BID ITEMS AND UNIT TO BID:
 - A. GUARDRAIL END TREATMENT TYPE 3 - EACH
 - B. ROADWAY OR BORROW EXCAVATION, OR EMBANKMENT IN PLACE - CU. YD.
 - C. DRAINAGE STRUCTURE BID SEPARATELY.
3. OFFSET BLOCKS MAY BE ELIMINATED ON ANY POST THAT IS COMPLETELY BELOW GRADE.
4. SEE CUR. STD. DWG. [RBC-100](#) FOR 4-BOLT INSERT ASSEMBLY DETAILS.

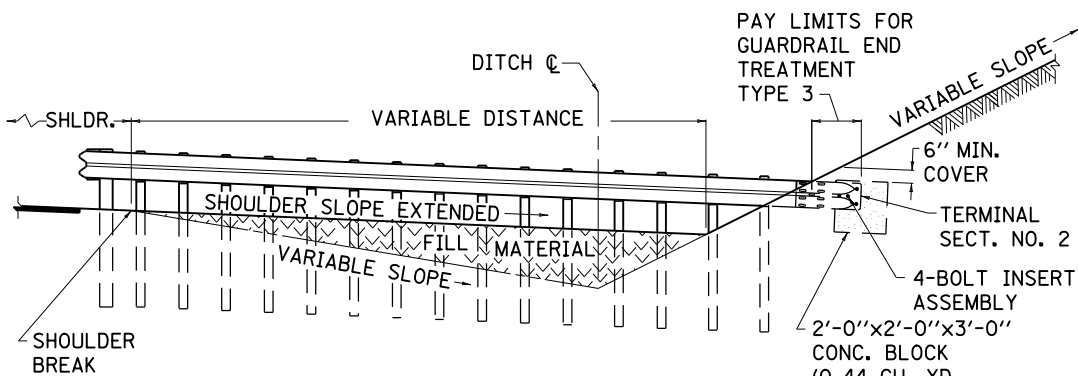


FLOW TOWARD METAL END SECTION



FLOW TOWARD DROP BOX INLET

GRADING DETAILS



SECTION B-B

	①		
DESIGN SPEED	70+ MPH	60 MPH	50 MPH OR LESS
FLARE RATES	15:1	13:1	11:1

USE WITH CUR. STD. DWGS.
[RBC-100](#), [RDB-005](#)

KENTUCKY
DEPARTMENT OF HIGHWAYS

GUARDRAIL END
TREATMENT TYPE 3

STANDARD DRAWING NO. RBR-030-04

SUBMITTED: *Ben W. Starnes* 12-2-02
DIRECTOR DIVISION OF DESIGN DATE
APPROVED: *J. M. Howell* 12-2-02
STATE HIGHWAY ENGINEER DATE