

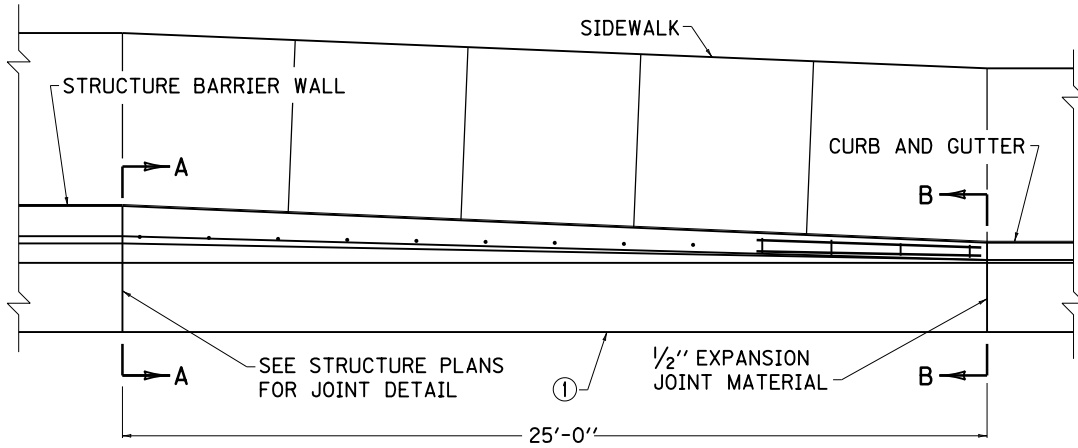
**NOTES**

THE CONTRACT UNIT PRICE EACH FOR THE CURB TO BARRIER WALL TRANSITION SHALL INCLUDE CONCRETE, FORMS, STEEL REINFORCEMENT, EXPANSION JOINT MATERIAL, AND ALL INCIDENTALS NECESSARY TO COMPLETE THE INSTALLATION.

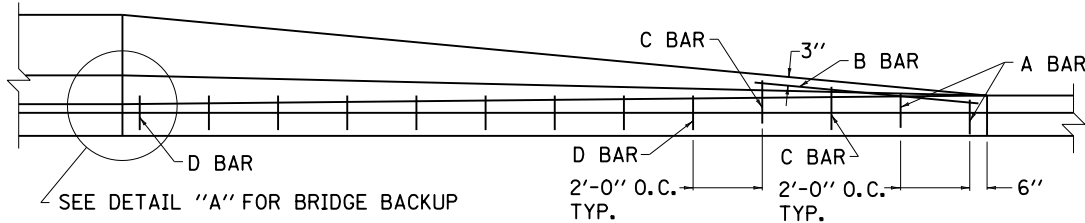
FOR ILLUSTRATION PURPOSES THE DETAILS DEPICT THE CURB TO BARRIER WALL TRANSITION CONNECTING TO A STANDARD CURB, HOWEVER THE CURB TO BARRIER WALL TRANSITION MAY BE CONSTRUCTED TO MATCH ANY ADJOINING CURB.

THE AMOUNT OF CLASS "A" CONCRETE REQUIRED FOR A TRANSITION SECTION WITH A 10 1/2" WIDE TOP IS APPROXIMATELY 2.61 CU. YDS.

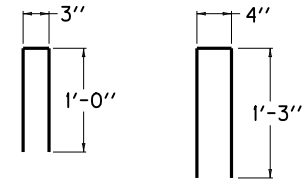
- ① WHEN THE CURB TO BARRIER WALL TRANSITION ABUTS RIGID PAVEMENT A LONGITUDINAL SAWED CONSTRUCTION JOINT SHALL BE INSTALLED IN ACCORDANCE WITH CURRENT STD. DWG. **RPS-010**.
- ② SEE STRUCTURE PLANS FOR DIMENSIONS.
- 3. CURB TO BARRIER WALL TRANSITION NOT FOR USE ON APPROACH END ON HIGH SPEED N.H.S.



**PLAN VIEW**

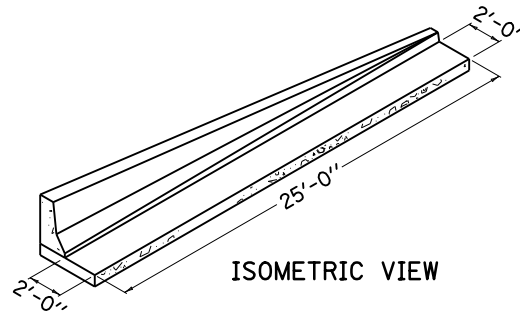


**ELEVATION VIEW**



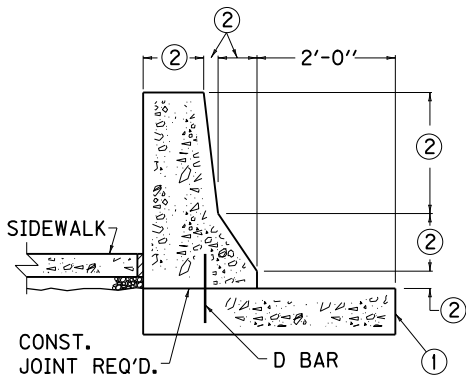
**BAR A**

**BAR C**



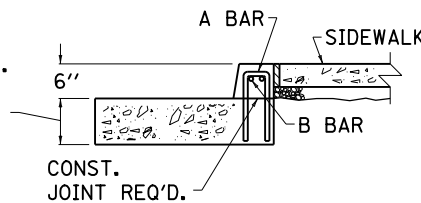
**ISOMETRIC VIEW**

BILL OF REINFORCEMENT				
BAR	QTY.	SIZE	LENGTH	TOTAL LBS. OF STEEL
A	2	5	2'-2"	48
B	2	5	6'-6"	
C	2	5	2'-9"	
D	9	8	1'-0"	



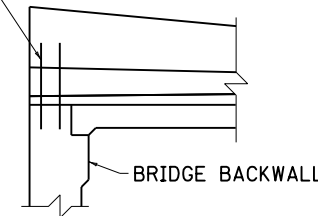
**SECTION A-A**

CONC. PVMT. THICKNESS OR 8" MIN.



**SECTION B-B**

SEE STRUCTURE PLANS FOR REINFORCEMENT DETAIL



**DETAIL "A"**

**KENTUCKY  
DEPARTMENT OF HIGHWAYS**

**CURB TO BARRIER  
WALL TRANSITION**

STANDARD DRAWING NO. RBM-130-04

SUBMITTED: <i>[Signature]</i>	12-2-11
DIRECTOR, DIVISION OF DESIGN	DATE
APPROVED: <i>[Signature]</i>	12-2-11
STATE HIGHWAY ENGINEER	DATE