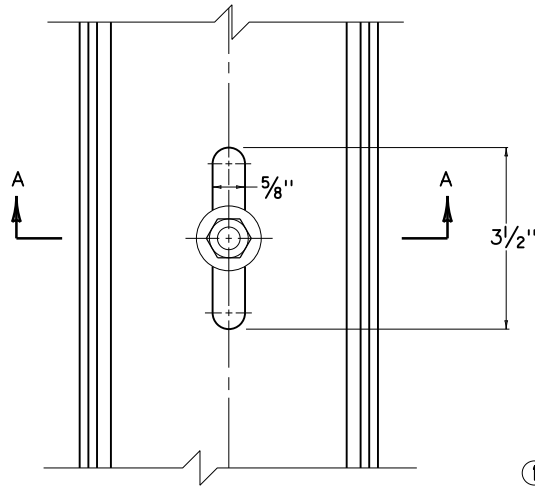


DETAIL "A"
(BLADE MOUNTING)



DETAIL "B"
(RAIL MOUNTING)

NOTES

METHOD OF MEASUREMENT AND BASIS OF PAYMENT

MODULAR GLARE SCREEN \triangle \square SHALL BE PAID FOR AT THE CONTRACT UNIT PRICE BID PER LINEAR FOOT AND SHALL INCLUDE ALL LABOR, MATERIALS AND OTHER INCIDENTALS NECESSARY TO COMPLETE THE INSTALLATION .

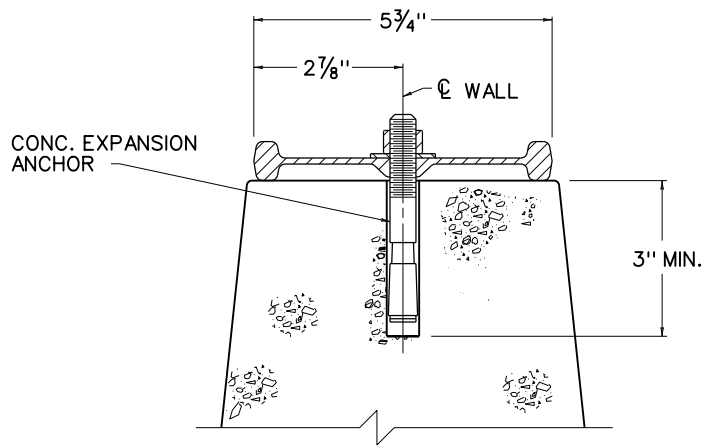
- \triangle 18" , 24" , OR 30"
- \square (W) = WHITE OR (G) = GREEN

CONSTRUCTION METHODS

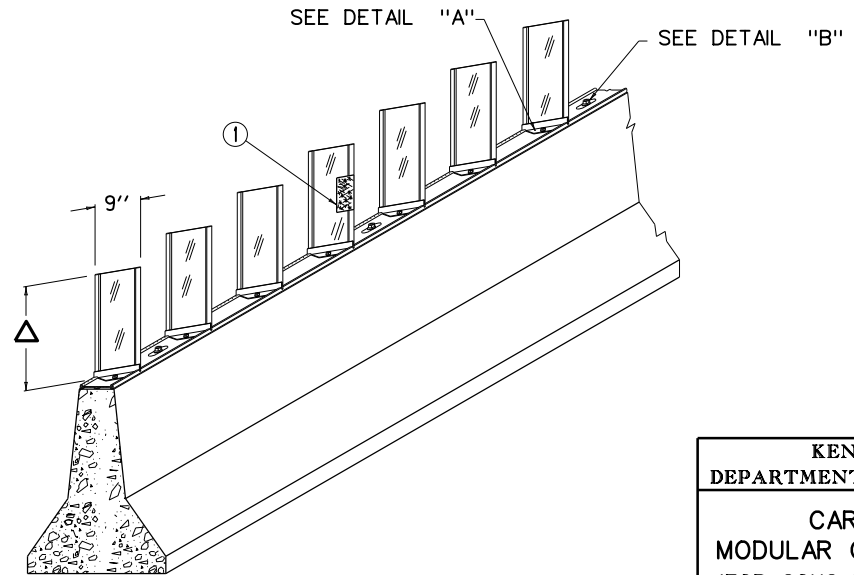
INSTALLATION SHALL BE COMPLETED IN ACCORDANCE WITH THE MANUFACTURES RECOMMENDATIONS (A COPY OF WHICH SHALL BE FURNISHED TO THE ENGINEER) .

MODULAR UNITS ARE FURNISHED IN LENGTHS OF 10' (8 BLADES) OR 12' (10 BLADES). THE DISTANCE BETWEEN EACH UNIT SHALL BE 1" WHEN INSTALLED.

- ① 3" X 6" STRIP OF REFLECTIVE MATERIAL CENTERED VERTICAL AND OFFSET HORIZONTAL TOWARD THE DRIVING LANE EDGE. PLACE ONE 3" X 6" STRIP EVERY 10'-0" ON CENTER.



SECTION A-A



PICTORIAL VIEW

KENTUCKY DEPARTMENT OF HIGHWAYS	
CARSONITE MODULAR GLARE SCREEN (FOR CONC. MEDIAN BARRIERS)	
STANDARD DRAWING NO. RBM-025-02	
SUBMITTED <i>John B. Sackett</i> DIRECTOR, DIVISION OF DESIGN	12-1-99 DATE
APPROVED <i>J. M. [Signature]</i> STATE HIGHWAY ENGINEER	12-1-99 DATE