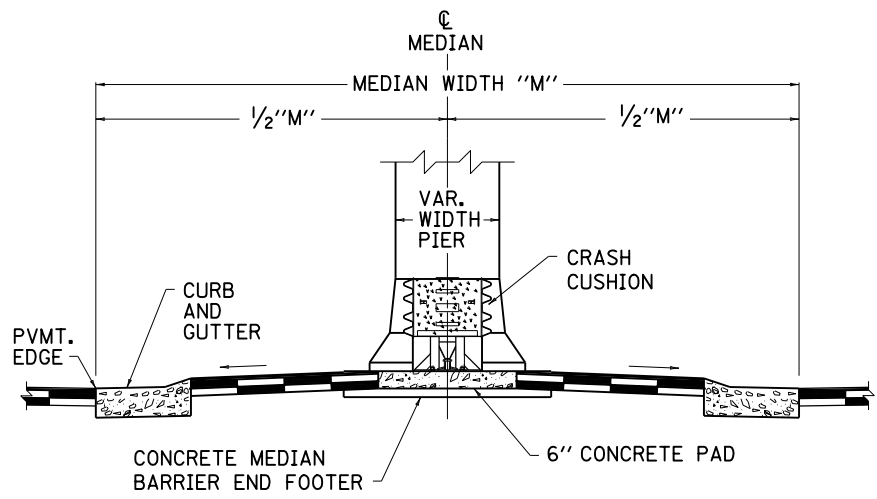


MEDIAN PLAN VIEW



SECTION A-A

NOTES

A RAISED MEDIAN IS DEPICTED; HOWEVER, THE SAME WARRANTS WOULD GOVERN FOR A FLUSH MEDIAN.
 A CRASH CUSHION TYPE VI IS DEPICTED; HOWEVER, CRASH CUSHION TYPE IX SHALL BE PERMITTED SHOULD WARRANTS PERMIT.

MATERIALS

CONCRETE MEDIAN BARRIER END FOR CRASH CUSHION TYPE VI OR CRASH CUSHION TYPE IX AS APPLICABLE.
 CONCRETE PAD FOR CRASH CUSHION TYPE VI.
 CRASH CUSHION TYPE VI (SEE CUR. STD. DWG. [RBE-060](#)), OR CRASH CUSHION TYPE IX (SEE CUR. STD. DWG. [RBE-200](#)) AS APPLICABLE.
 PAVED MEDIAN (SEE PLANS FOR MATERIAL).

KENTUCKY DEPARTMENT OF HIGHWAYS		
CRASH CUSHION INSTALLATION AT MEDIAN PIERS (RAISED OR FLUSH MEDIAN)		
STANDARD DRAWING NO. RBI-009-03		
SUBMITTED: <i>David Kott</i>	DIRECTOR DIVISION OF DESIGN	11-21-07 DATE
APPROVED: <i>Matthew Matthews</i>	STATE HIGHWAY ENGINEER	11-21-07 DATE