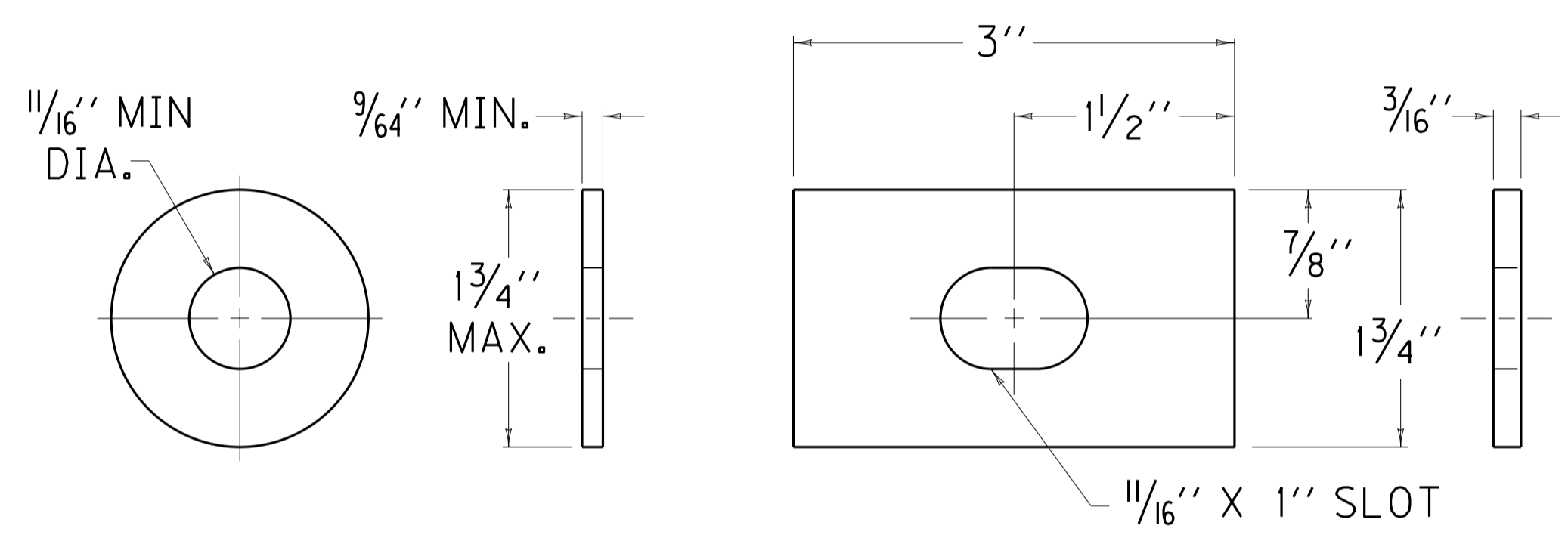


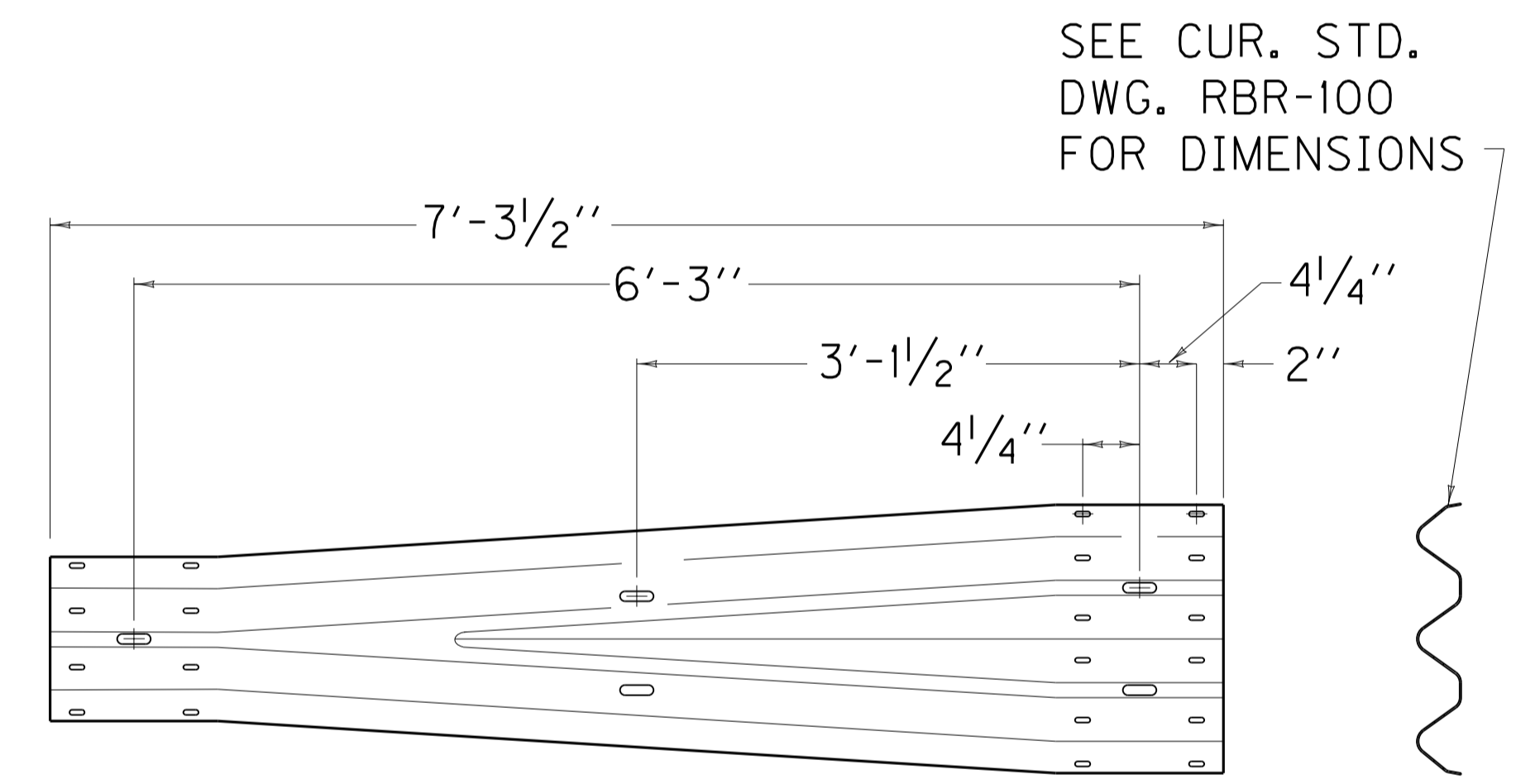
5/8" BUTTON HEAD BOLT AND RECESSED NUT

- NOTES
- ① RAIL BOLT SIMILAR EXCEPT LENGTH.
 - ② THE THRIE BEAM TO "W" BEAM CONNECTOR SHALL COMPLY WITH AASHTO M-180 CLASS A, TYPE 2 EXCEPT WHERE IN CONFLICT WITH THIS DETAIL.



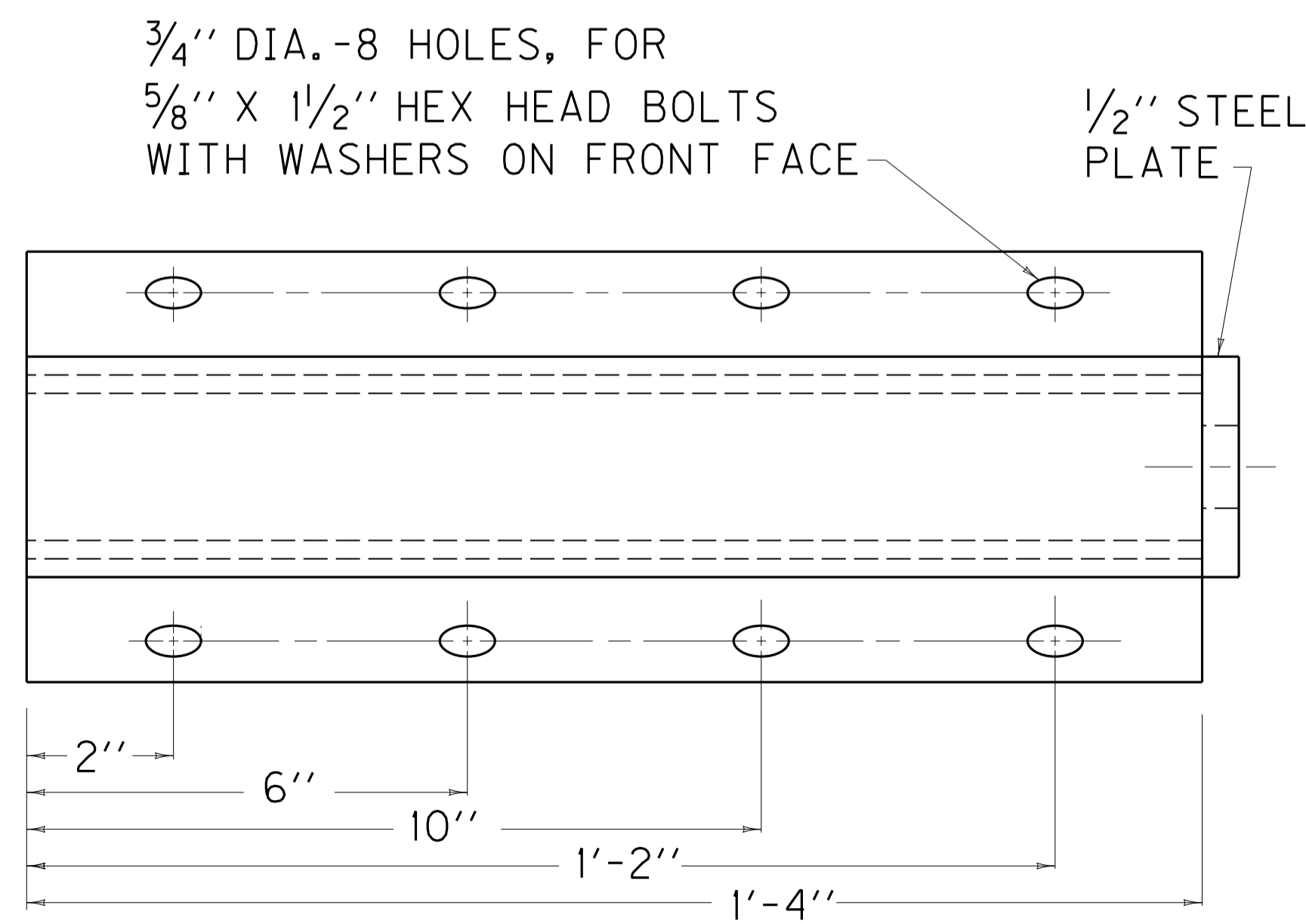
ROUND WASHER AND RECTANGULAR PLATE WASHER

SEE CUR. STD. DWG. RBR-001 FOR DIMENSIONS

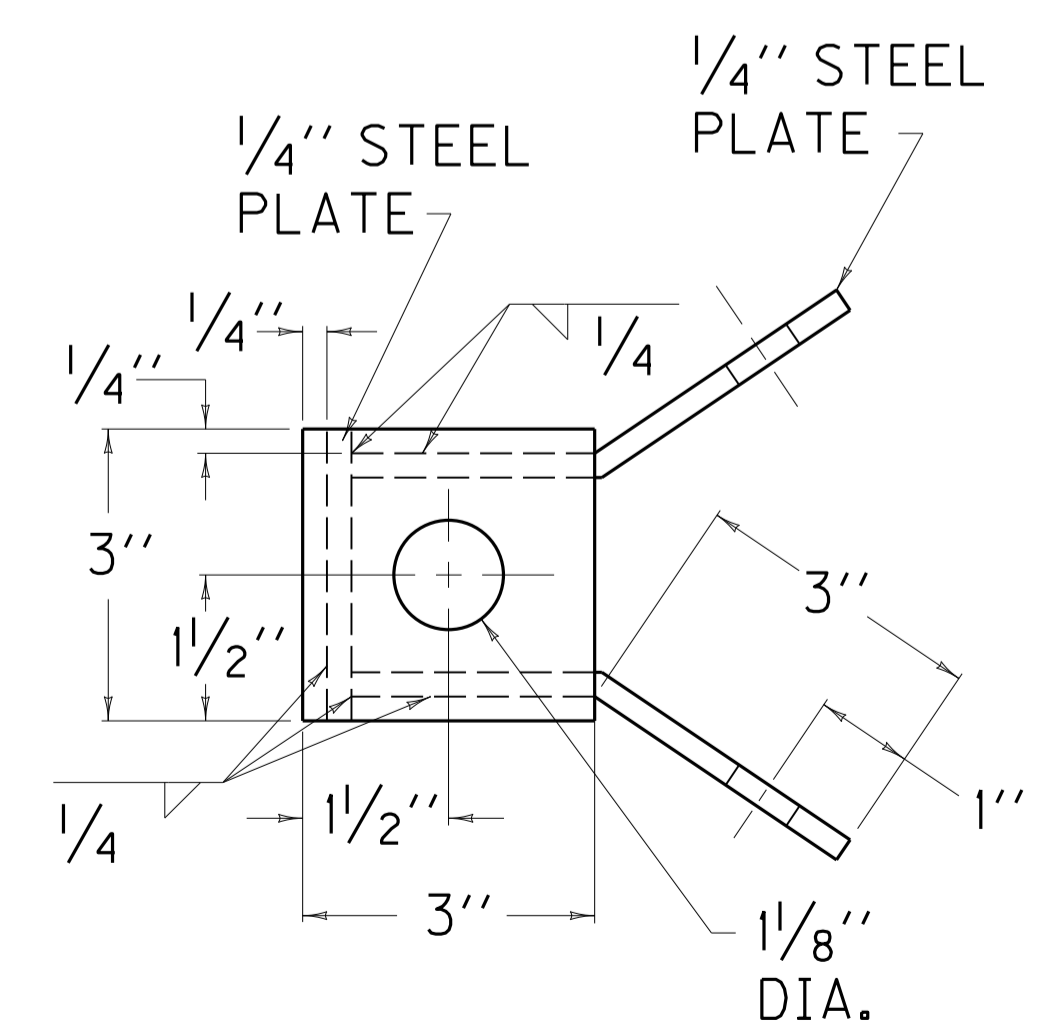


SEE CUR. STD. DWG. RBR-100 FOR DIMENSIONS

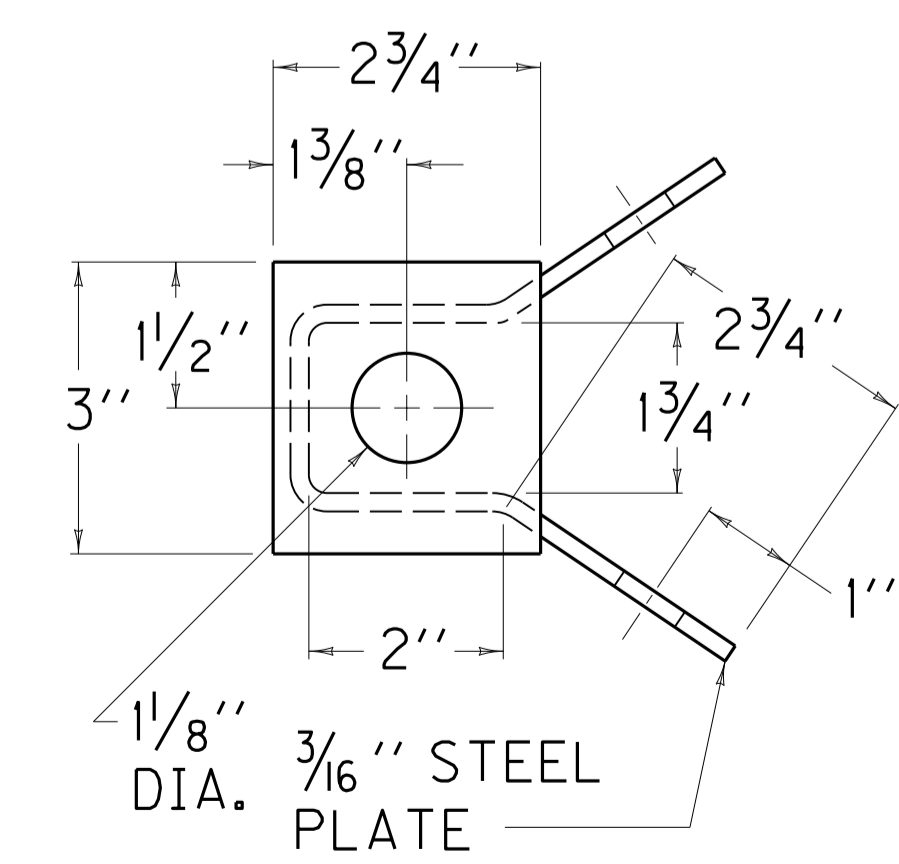
THRIE BEAM TO "W" BEAM CONNECTOR ②



RAIL ANCHOR ASSEMBLY



ALTERNATE NO. 1



ALTERNATE NO. 2

FILE NAME: C:\PWORK\JEFF.LAIL\0512631\SEPIA_008.DGN

USER: Jeff.Lail
DATE PLOTTED: August 17, 2012

E-SHEET NAME:

MicroStation v8.11.7.180

KENTUCKY
DEPARTMENT OF HIGHWAYS

GUARDRAIL
COMPONENTS

SUBMITTED: *J. Harper* 6-15-2012
DIRECTOR DIVISION OF HIGHWAY DESIGN DATE

008