

FOR NOSEPIECE ATTACHMENT:
REMOVE EXISTING 5/8" Ø BOLTS (4 TOTAL)
AND RE-INSERT THROUGH NOSEPIECE.

WIDE TRACC BILL OF MATERIAL

PRODUCT CODE	QTY	DESCRIPTION
25939A	1	58" WIDETRACC UNIT ASS'LY
6825B	4	REFLECTIVE TAPE
6532B	1	PLASTIC NOSEPIECE

OPTIONAL TRACC ANCHOR ITEMS

PRODUCT CODE	DESCRIPTION
5205B	ADHESIVE DISPENSER
5207B	MIXER HIT HY150 (NOZZLE)
5208B	FILLER HIT HY150 (FILLER TUBE)
5209B	BIT TE-C+ 11/16-18 (11/16" Ø BIT)

EACH TRACC UNIT SHIPS 100% ASSEMBLED
(PLASTIC NOSE INSTALLED AFTER PLACEMENT)

★ EACH CARTRIDGE INCLUDES 1 EACH : MIXER HY 150 CARTRIDGE(NOZZLE)
: FILLER HIT HY 150 (FILLER TUBE)

**** ANCHOR HARDWARE (CONCRETE BASE)**

5204B	50	5/8" Ø x 7 1/16" ANCHOR STUD
3310G	50	5/8" LOCKWASHER
3361G	50	5/8" HEX NUT
3300G	50	5/8" FLAT WASHER
★ 5206B	4	ADHESIVE HIT HY150(CARTRIDGE)

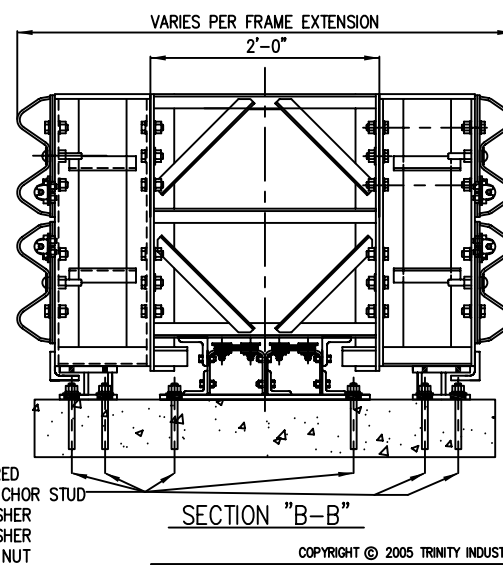
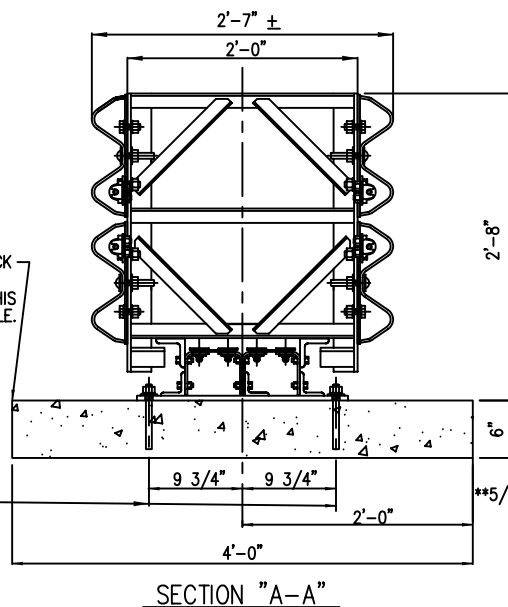
**** ANCHOR HARDWARE (ASPHALT BASE)**

6380G	50	5/8" Ø x 18" ALL THD ROD
3310G	50	5/8" LOCKWASHER
3361G	50	5/8" HEX NUT
3300G	50	5/8" FLAT WASHER
★ 5206B	11	ADHESIVE HIT HY150(CARTRIDGE)

** SEE PRODUCT MANUAL

REINFORCED CONCRETE PAD 6" THICK
(8" THICK IF NOT REINFORCED)
REINFORCEMENT DRAWINGS FOR THIS
PAD AND OTHER SIZES ARE AVAILABLE.

ADHESIVE ANCHORED
** 5/8" Ø x 7 1/16" ANCHOR STUD
5/8" FLAT WASHER
5/8" LOCKWASHER
5/8" HEX NUT



COPYRIGHT © 2005 TRINITY INDUSTRIES INC
This drawing and the information shown thereon is the sole property of TRINITY INDUSTRIES, INC. Neither the drawing nor such information is to be used for any purpose other than that for which it was specifically furnished by TRINITY INDUSTRIES, INC., nor is any reproduction authorized without written permission.

FOUNDATION NOTE:
6" REINFORCED CONCRETE PAD IS SHOWN

- OTHER OPTIONS ARE :
- a) 8" THICK MINIMUM UNREINFORCED CONCRETE
 - b) 8" MINIMUM THICK ASPHALT
 - c) 3" THICK (MIN) ASPHALT OVER 3" (MIN) CONCRETE
 - d) 6" THICK ASPHALT OVER 6" COMPACTED SUBBASE.

REV.	CHK'D	BY	DATE	REMARKS
58" WIDETRACC DOUBLE FLARE CRASH-CUSHION ATTENUATING TERMINAL PLAN, ELEVATION & SECTIONS (UNIDIRECTIONAL, DIRECT ATTACHMENT)				
DRAWN L.H.				CHECKED C.C.
APPROVED				DATE 08-12-05
ENG. FILE # SS1019-01E				SHT.No. E1 OF 1
TRINITY INDUSTRIES, INC. HIGHWAY SAFETY PRODUCTS 2525 STEMMONS FREEWAY, DALLAS, TX 75207				DRAWING NO. SS1019
REV. 0				