

ATTACHMENT SHOWN IS TO SHAPES WITH RECTANGULAR CROSS SECTIONS SUCH AS: PIERS, PARAPETS AND MODIFIED CONCRETE BARRIER. TRAFFIC FLOW IS UNIDIRECTIONAL. ATTACHMENTS AND TRANSITIONS TO OTHER SHAPES, BARRIERS, RAILINGS AND BIDIRECTIONAL TRAFFIC FLOWS ARE AVAILABLE.

FOR NOSEPIECE ATTACHMENT:
REMOVE EXISTING 5/8" Ø BOLTS (4 TOTAL)
AND RE-INSERT THROUGH NOSEPIECE.

TRACC BILL OF MATERIAL

PART NUMBER	QTY	DESCRIPTION
25980A	1	TRACC UNIT (FULLY ASSEMBLED)
3310G	4	5/8" LOCKWASHER
4451G	4	5/8" x 6" WEDGE EXP ANCHOR
6825B	4	REFLECTIVE TAPE
6532B	1	PLASTIC NOSEPIECE
** ANCHOR HARDWARE (FULL CONCRETE BASE)		
5204G	26	5/8" x 7 1/16" ANCHOR STUD
3310G	26	5/8" LOCKWASHER
3361G	26	5/8" HEX NUT
3300G	26	5/8" FLAT WASHER
★ 5206B	3	ADHESIVE HIT HY 150(CARTRIDGE)
** ANCHOR HARDWARE (ASPHALT BASE)		
6380G	26	5/8" x 18" ALL THD ROD
3310G	26	5/8" LOCKWASHER
3361G	26	5/8" HEX NUT
3300G	26	5/8" FLAT WASHER
★ 5206B	5	ADHESIVE HIT HY 150(CARTRIDGE)

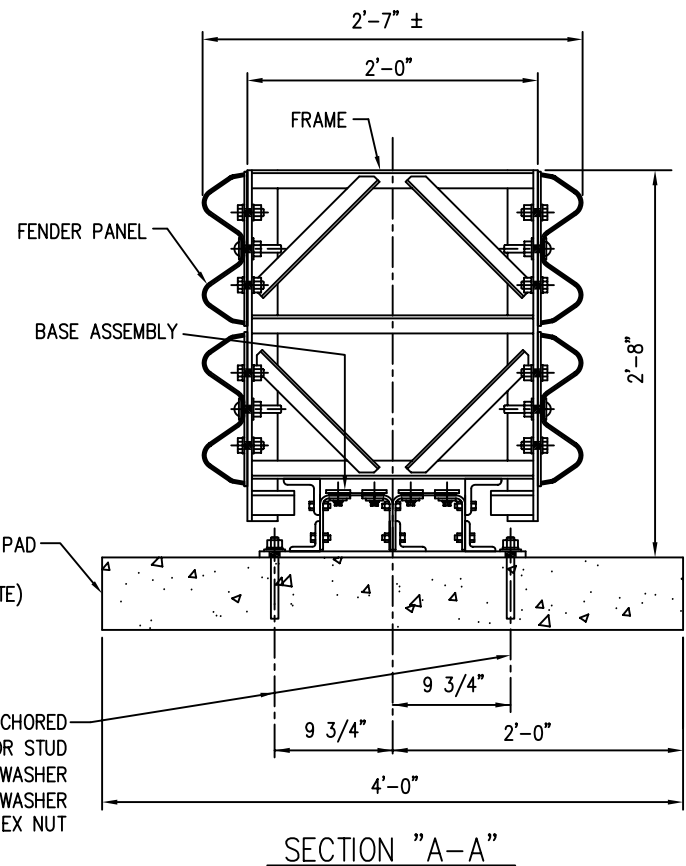
EACH TRACC UNIT SHIPS 100 % ASSEMBLED
(PLASTIC NOSE INSTALLED AFTER PLACEMENT)

OPTIONAL TRACC ANCHOR ITEMS

PART NUMBER	DESCRIPTION
5205B	ADHESIVE DISPENSER
5207B	MIXER HIT HY150 (NOZZLE)
5208B	FILLER HIT HY150 (FILLER TUBE)
5209B	BIT TE-C+ 11/16-18 (11/16" Ø BIT)

** SEE PRODUCT MANUAL

★ EACH CARTRIDGE INCLUDES 1 EACH: MIXER HY 150 CARTRIDGE (NOZZLE)
FILLER HIT HY 150 (FILLER TUBE)



REINFORCED CONCRETE PAD
4'-0" x 6" THICK
(SEE FOUNDATION NOTE)

ADHESIVE ANCHORED
5/8" Ø x 7 1/16" LG ANCHOR STUD
5/8" FLAT WASHER
5/8" LOCKWASHER
5/8" HEX NUT

FOUNDATION NOTE:

- 6" REINFORCED CONCRETE PAD IS SHOWN
OTHER OPTIONS ARE :
- a) 8" THICK MINIMUM UNREINFORCED CONCRETE
 - b) 8" MINIMUM THICK ASPHALT
 - c) 3" THICK (MIN) ASPHALT OVER 3" (MIN) CONCRETE
 - d) 6" THICK ASPHALT OVER 6" COMPACTED SUBBASE.

REV.	CHK'D	BY	DATE	REMARKS

TRACC
CRASH-CUSHION ATTENUATING TERMINAL
PLAN, ELEVATION & SECTIONS
(UNIDIRECTIONAL, DIRECT ATTACHMENT)

DRAWN	BT/LH
CHECKED	B.T.
APPROVED	
DATE	04/25/05
ENG. FILE #	SS1003-01E
SHT.No.	E1 OF 1
DRAWING NO.	SS 1003
REV.	0

COPYRIGHT © 2005 TRINITY INDUSTRIES, INC.
This drawing and the information shown thereon is the sole property of TRINITY INDUSTRIES, INC. Neither the drawing nor such information is to be used for any purpose other than that for which it was specifically furnished by TRINITY INDUSTRIES, INC., nor is any reproduction authorized without written permission.

TRINITY INDUSTRIES, INC.
HIGHWAY SAFETY PRODUCTS
2525 STEMMONS FREEWAY, DALLAS, TX 75207