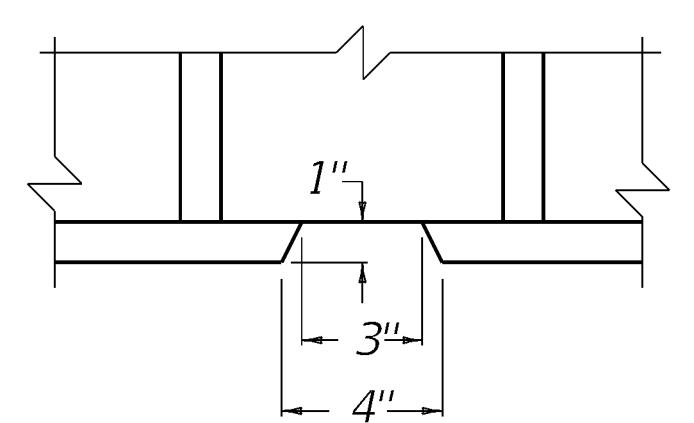
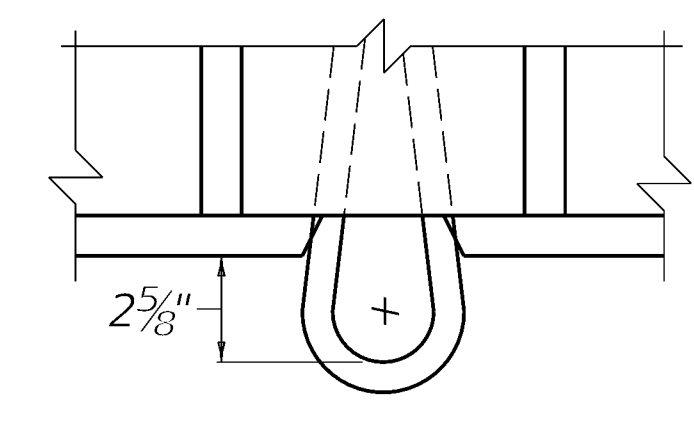


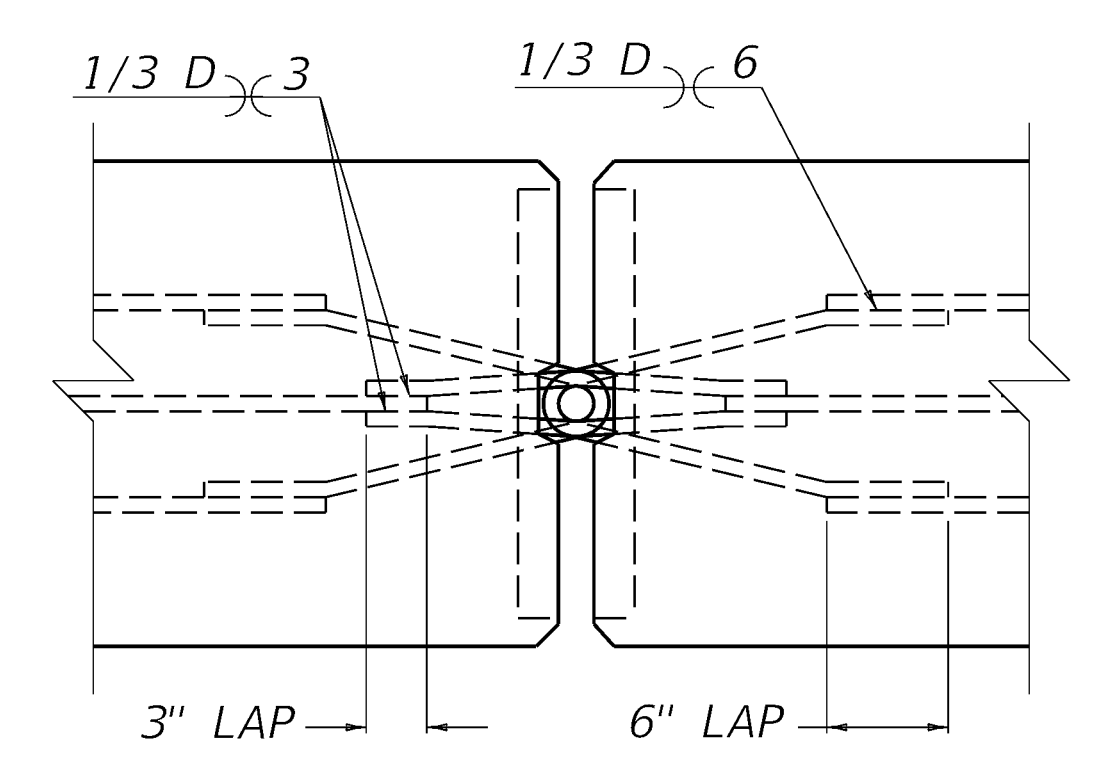
PLAN VIEW



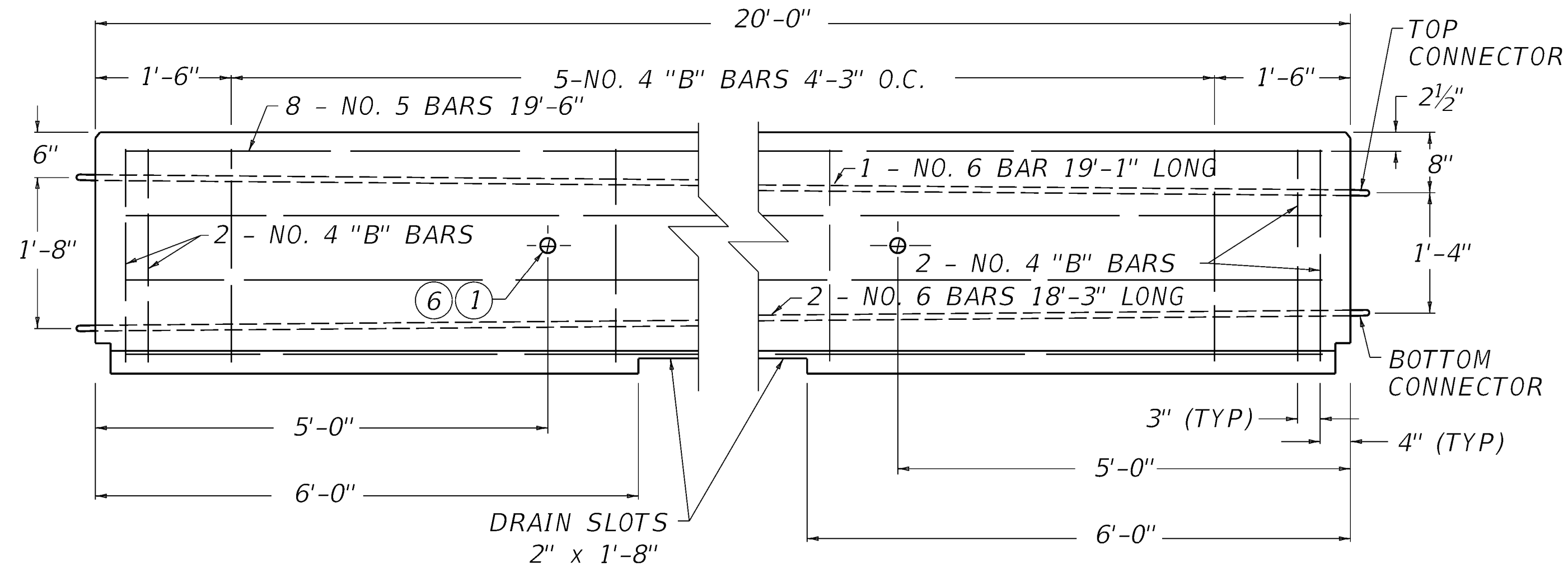
DETAIL "A"



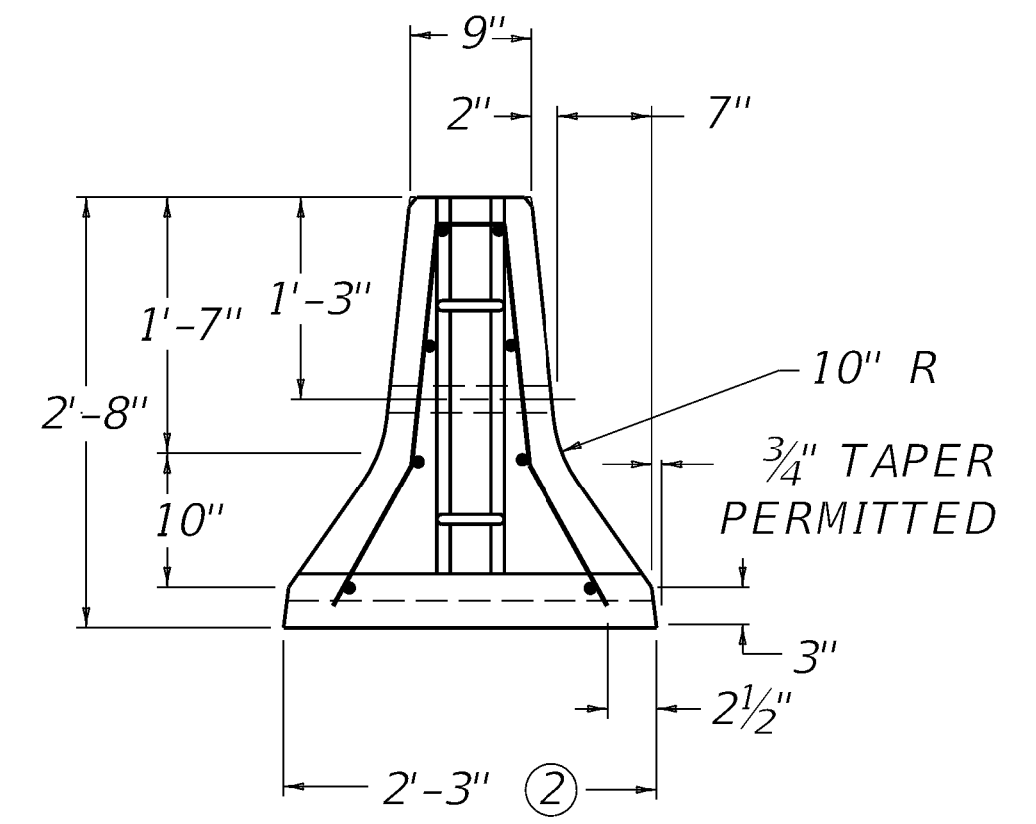
DETAIL "B"



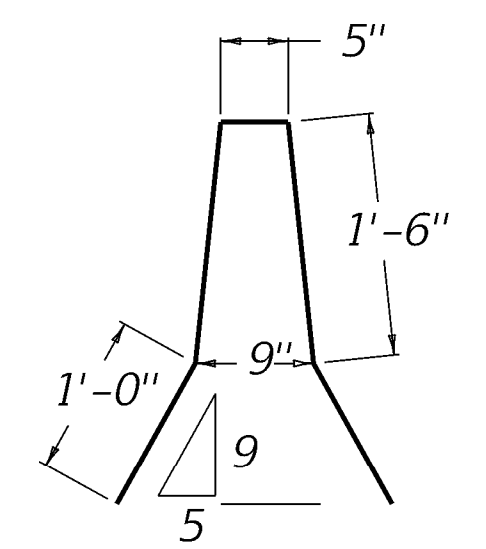
PLAN OF CONNECTION DETAIL



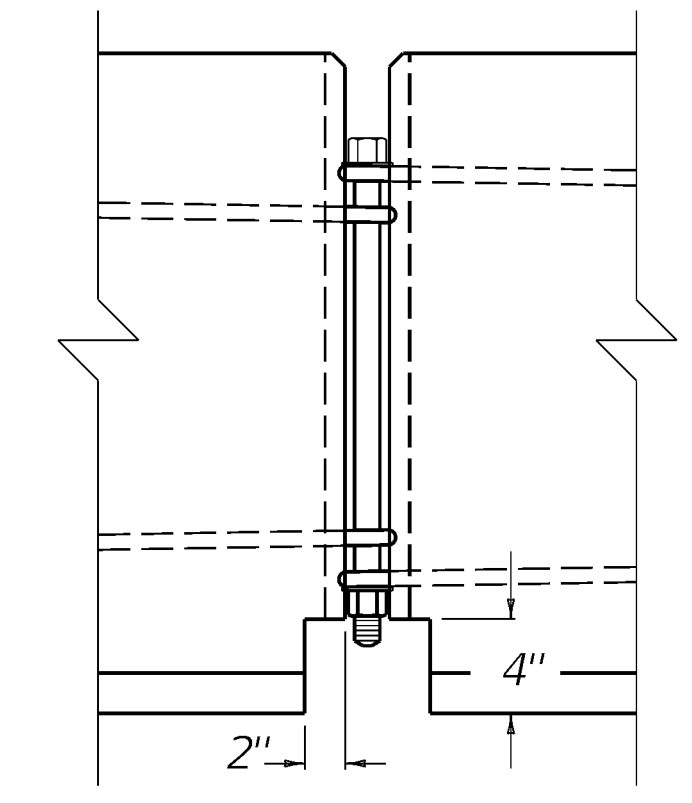
ELEVATION VIEW



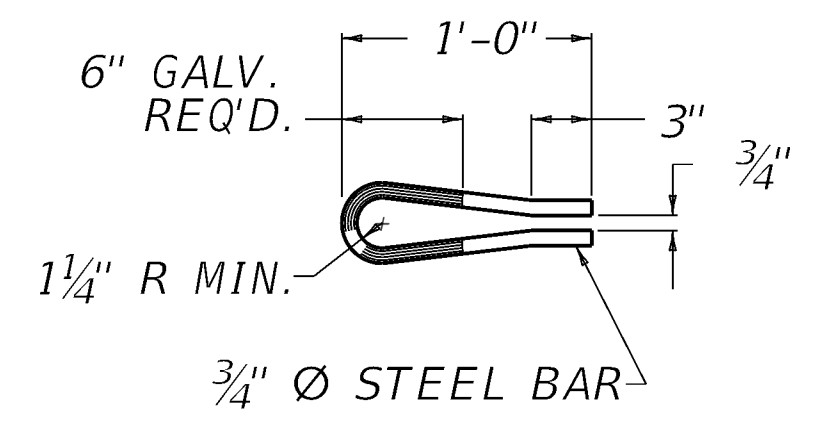
RIGHT ELEVATION VIEW



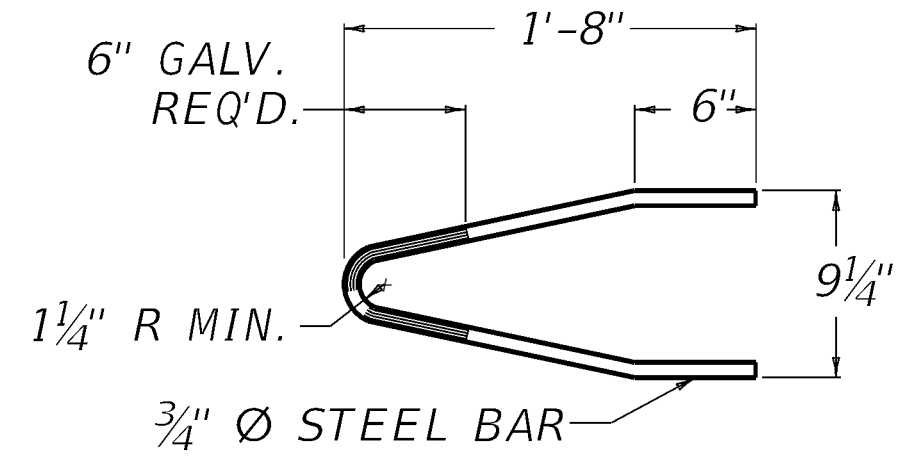
DETAIL OF "B" BAR



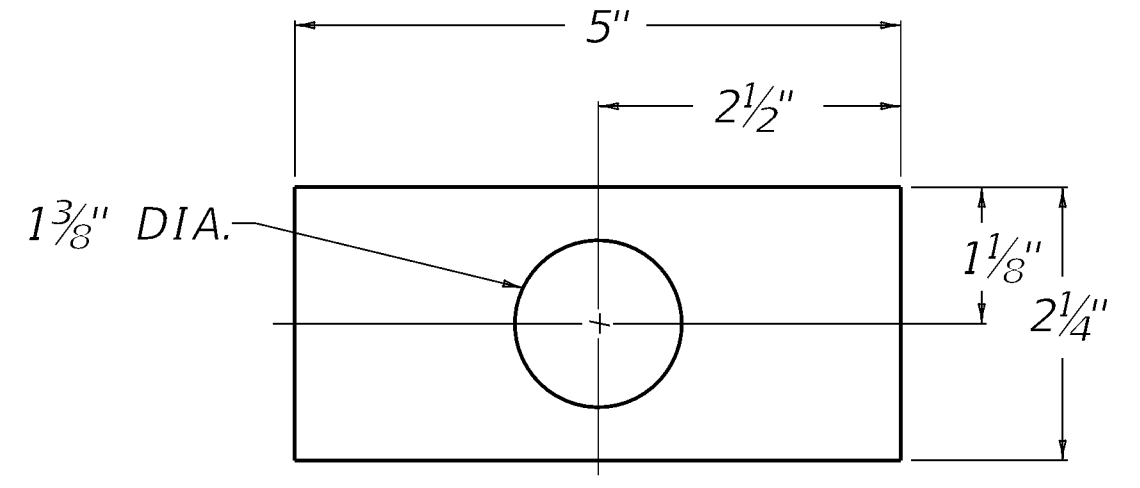
ELEVATION OF CONNECTON DETAIL



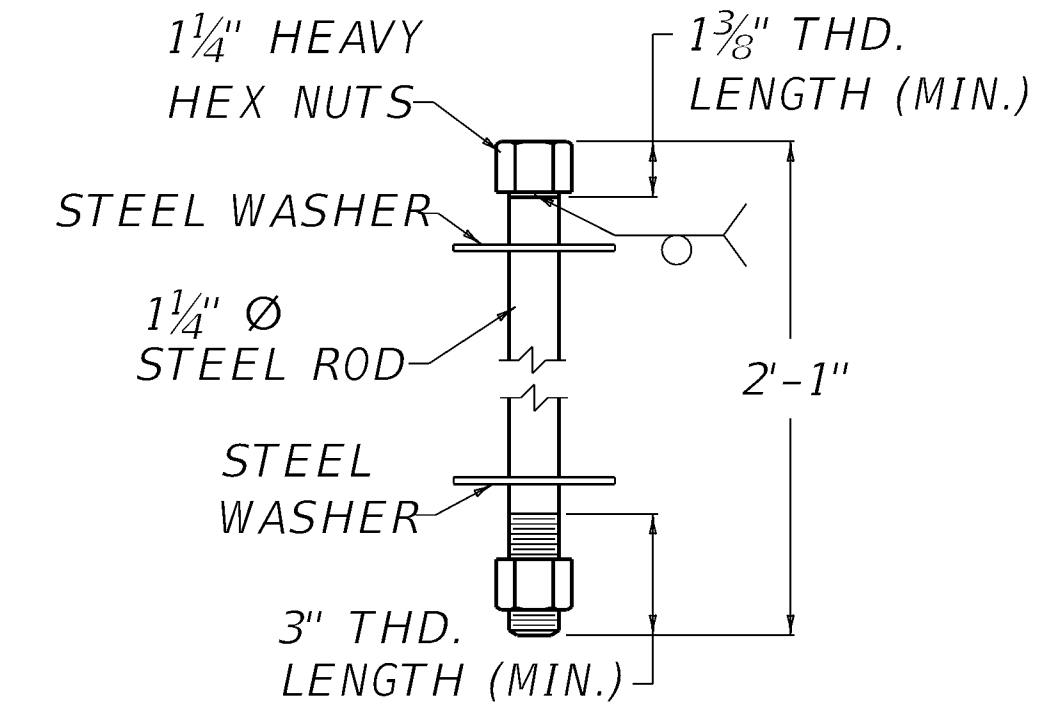
TOP CONNECTOR
(HOT DIP GALVANIZE AFTER FORMING)



BOTTOM CONNECTOR
(HOT DIP GALVANIZE AFTER FORMING)



1/2" THICK STEEL WASHER



CONNECTOR PIN

~ NOTES ~

- ① 2" DIA. LIFTING HOLE - 2 REQUIRED FOR EACH SECTION. FORMED WITH 2" P.V.C. PIPE OR EQUAL.
- ② TAPER NOT INCLUDED IN BASE WIDTH.
- 3. SHOP DRAWINGS SHALL BE APPROVED PRIOR TO MANUFACTURE.
- ④ BASED ON 150 LBS./CU. FT.
- 5. PLACE ALL STEEL REINFORCEMENT A CLEAR DISTANCE OF 2" MIN. FROM OUTSIDE FACE OF WALL, EXCEPT WHERE SHOWN OTHERWISE.
- ⑥ LIFTING BARS SHALL BE REQUIRED TO PREVENT SPALLING OF CONCRETE AROUND HOLES.
- 7. PREVIOUS WALL MANUFACTURED ACCORDING TO STANDARD DRAWING RBM-115 MAY STILL BE USED. ANY NEW BARRIER WALL TYPE 9T MANUFACTURED SHALL COMPLY TO THIS STANDARD DRAWING.
- 8. A PERMISSABLE ALTERNATE FOR THE PIN AND LOOP CONNECTOR IS JJ HOOK MANUFACTURED BY EASI-SET INDUSTRIES OUT OF MIDLAND, VA. SEE MANUFACTURER'S SHOP DRAWINGS FOR DETAILS ON JJ HOOK CONNECTOR AND RECOMMENDED REINFORCEMENT. THE BARRIER WALL'S DIMENSIONS, SHAPE, LENGTH AND THE DRAIN SLOT DIMENSIONS AND LOCATIONS SHALL MATCH THIS DRAWINGS CURRENT DIMENSIONS.

BID ITEM AND UNIT TO BID
CONCRETE BARRIER WALL TYPE 9T LF

USE WITH CUR. STD. DWG. RBM-120

APPROXIMATE QUANTITIES

20'		
REINF.	CONC.	WEIGHT ④
LBS.	CU. YD./FT.	TONS
195	0.12	5.0

SUBMITTED *W. J. Schurman* DIVISION DIRECTOR 07-23-2024 DATE



COMMONWEALTH OF KENTUCKY
DEPARTMENT OF HIGHWAYS

SEPIA 042: CONCRETE BARRIER WALLS

SHEET 013: CONCRETE BARRIER WALL TYPE 9T (TEMPORARY) [RBM-115-10]

REVISION DATE: 7.23.2024
REVISION NUMBER: 0

ITEM NO. COUNTY OF
SHEET NO.