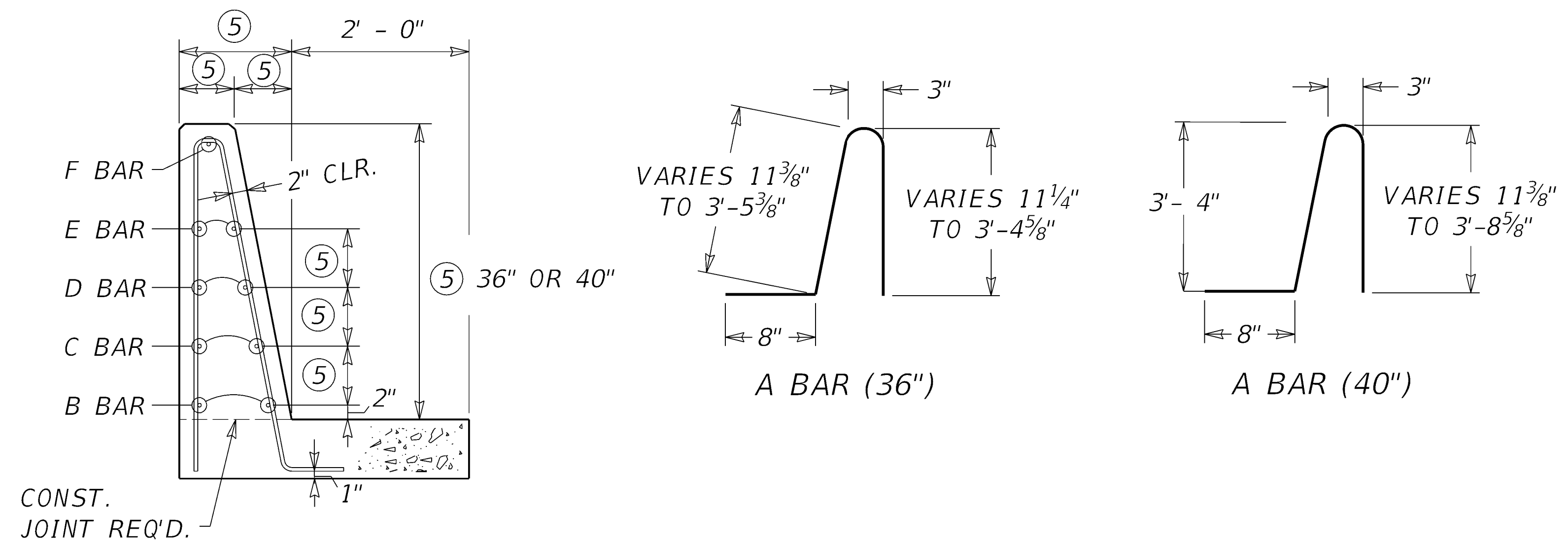
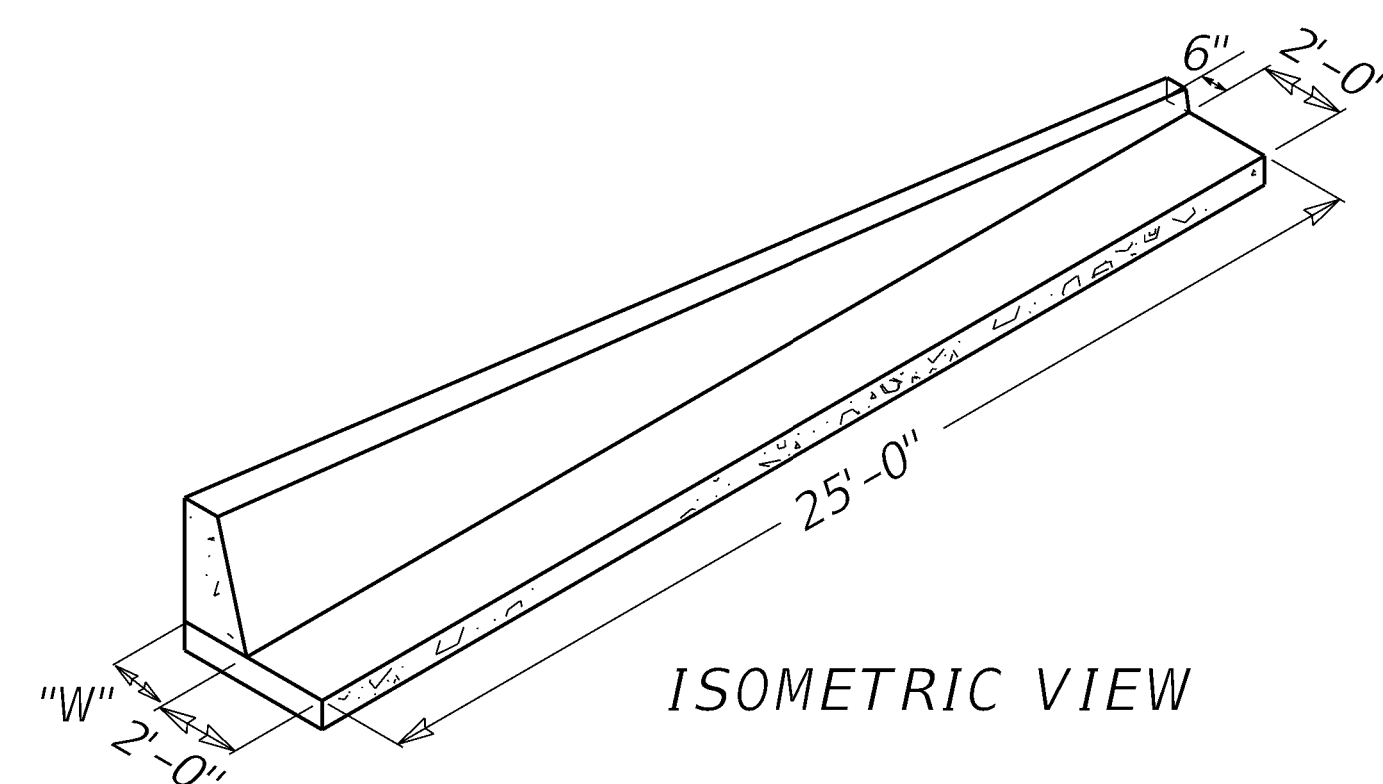


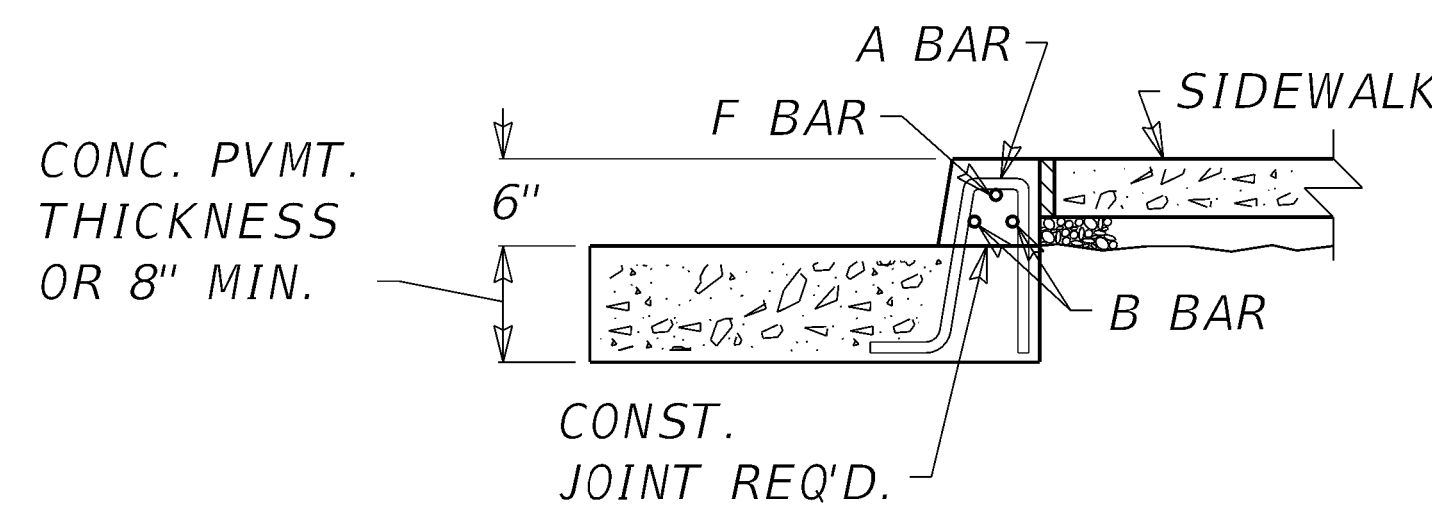
PLAN VIEW



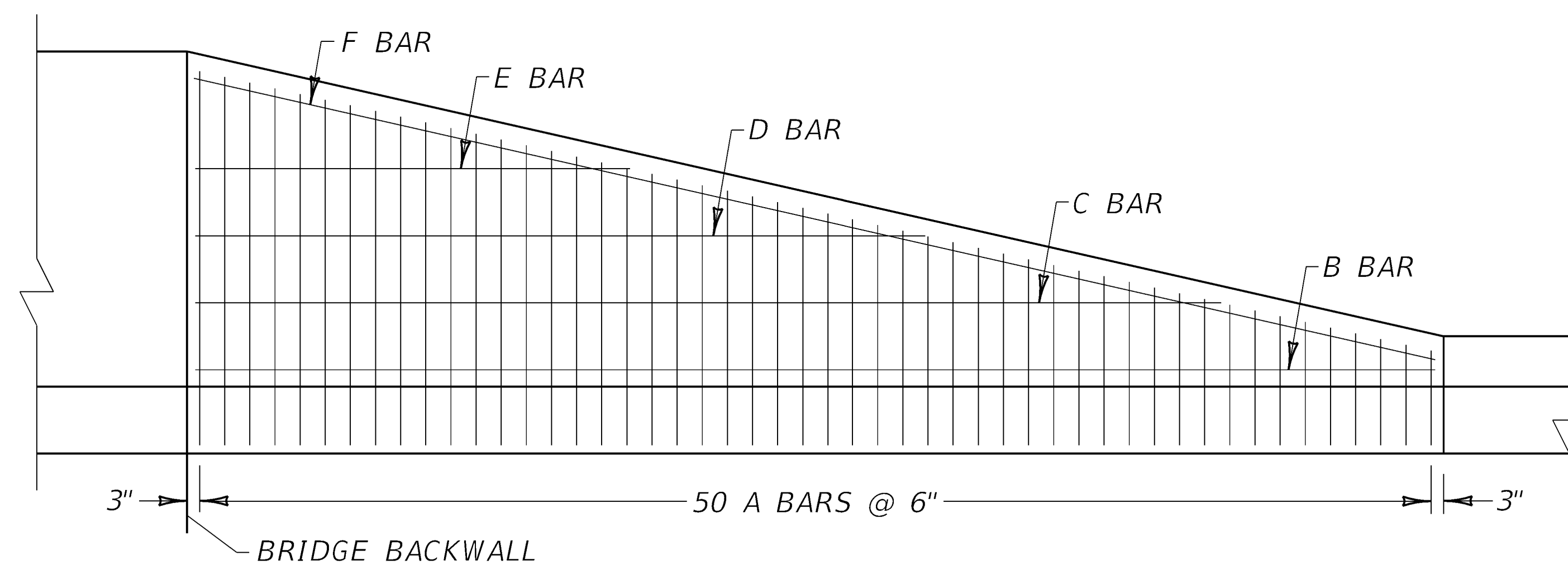
SECTION A-A



ISOMETRIC VIEW



SECTION B-B



ELEVATION VIEW

~ NOTES ~

1. THE CONTRACT UNIT PRICE EACH FOR THE CURB TO BARRIER WALL TRANSITION SHALL INCLUDE CONCRETE, FORMS, STEEL REINFORCEMENT, EXPANSION JOINT MATERIAL, AND ALL INCIDENTALS NECESSARY TO COMPLETE THE INSTALLATION.
2. FOR ILLUSTRATION PURPOSES THE DETAILS DEPICT THE CURB TO BARRIER WALL TRANSITION CONNECTING TO A STANDARD CURB, HOWEVER THE CURB TO BARRIER WALL TRANSITION MAY BE CONSTRUCTED TO MATCH ANY ADJOINING CURB.
3. THE AMOUNT OF CLASS "A" CONCRETE REQUIRED FOR A TRANSITION SECTION WITH A 7½" WIDE TOP IS APPROXIMATELY 3.2 CU. YDS. (36") & 3.4 CU. YDS. (40")
- ④ WHEN THE CURB TO BARRIER WALL TRANSITION ABUTS RIGID PAVEMENT A LONGITUDINAL SAWED CONSTRUCTION JOINT SHALL BE INSTALLED IN ACCORDANCE WITH CUR. STD. DWG. RPS-010.
- ⑤ SEE STRUCTURE PLANS FOR DIMENSIONS. REFER TO BHS-009 AND BHS-010 .
6. CURB TO BARRIER WALL TRANSITION NOT FOR USE ON APPROACH ENDS ON HIGH SPEED N.H.S.
 BID ITEM AND UNIT TO BID
 CURB TO BARRIER WALL TRANS EACH
 USE WITH CUR. STD. DWGS. RPS-010, BHS-009, BHS-010

BILL OF REINFORCEMENT (40")				
BAR	QTY.	SIZE	LENGTH	TOTAL LBS. OF STEEL
A	50	4	Varies	290
B	2	4	24'-8"	
C	2	4	20'-5"	
D	2	4	14'-6"	
E	2	4	8'-7"	
F	1	4	24'-10"	

BILL OF REINFORCEMENT (36")				
BAR	QTY.	SIZE	LENGTH	TOTAL LBS. OF STEEL
A	50	4	Varies	273
B	2	4	24'-8"	
C	2	4	19'-10"	
D	2	4	13'-2"	
E	2	4	6'-5"	
F	1	4	24'-9"	

SUBMITTED *W. T. Layson* DIVISION DIRECTOR 07-23-2024 DATE