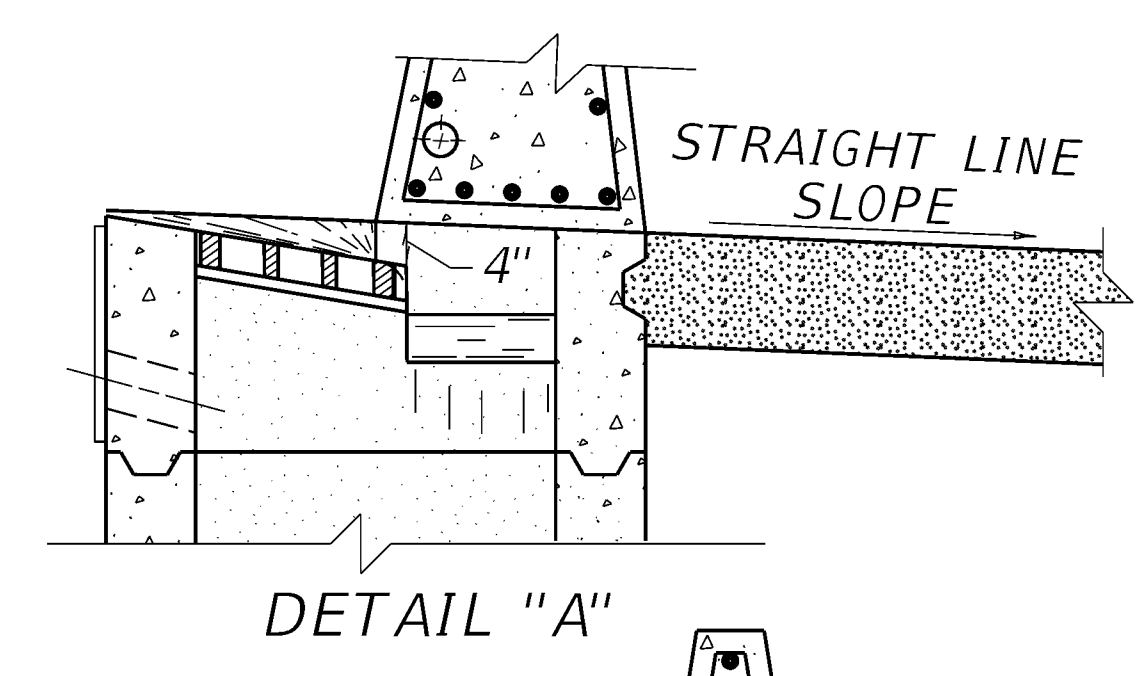
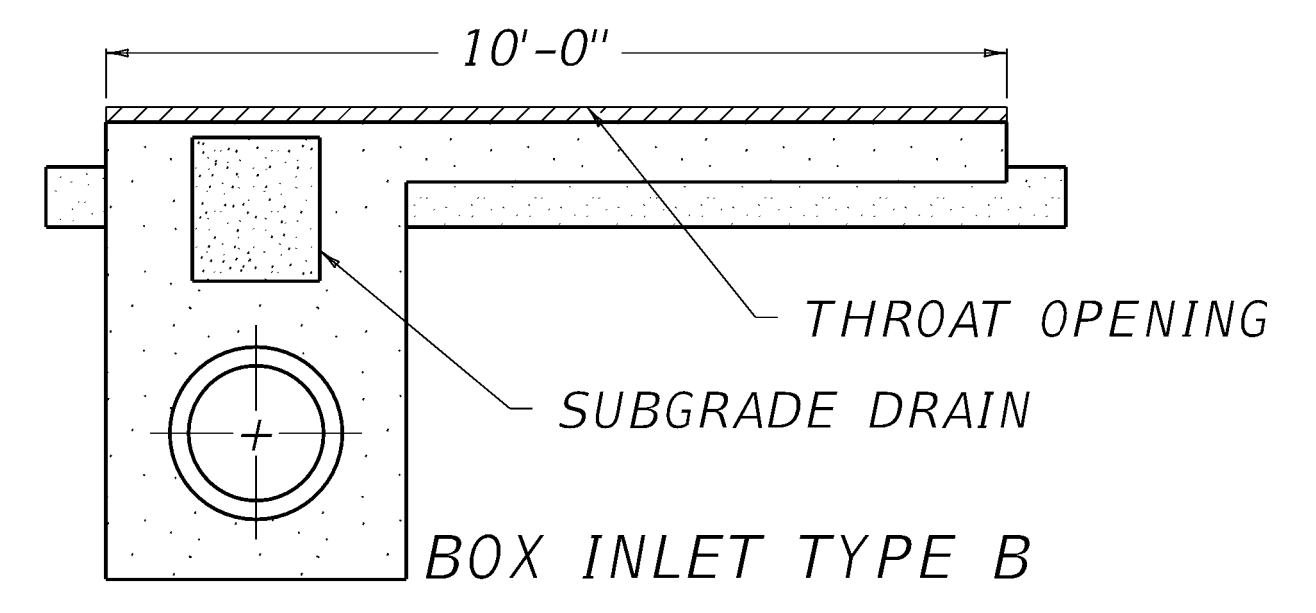


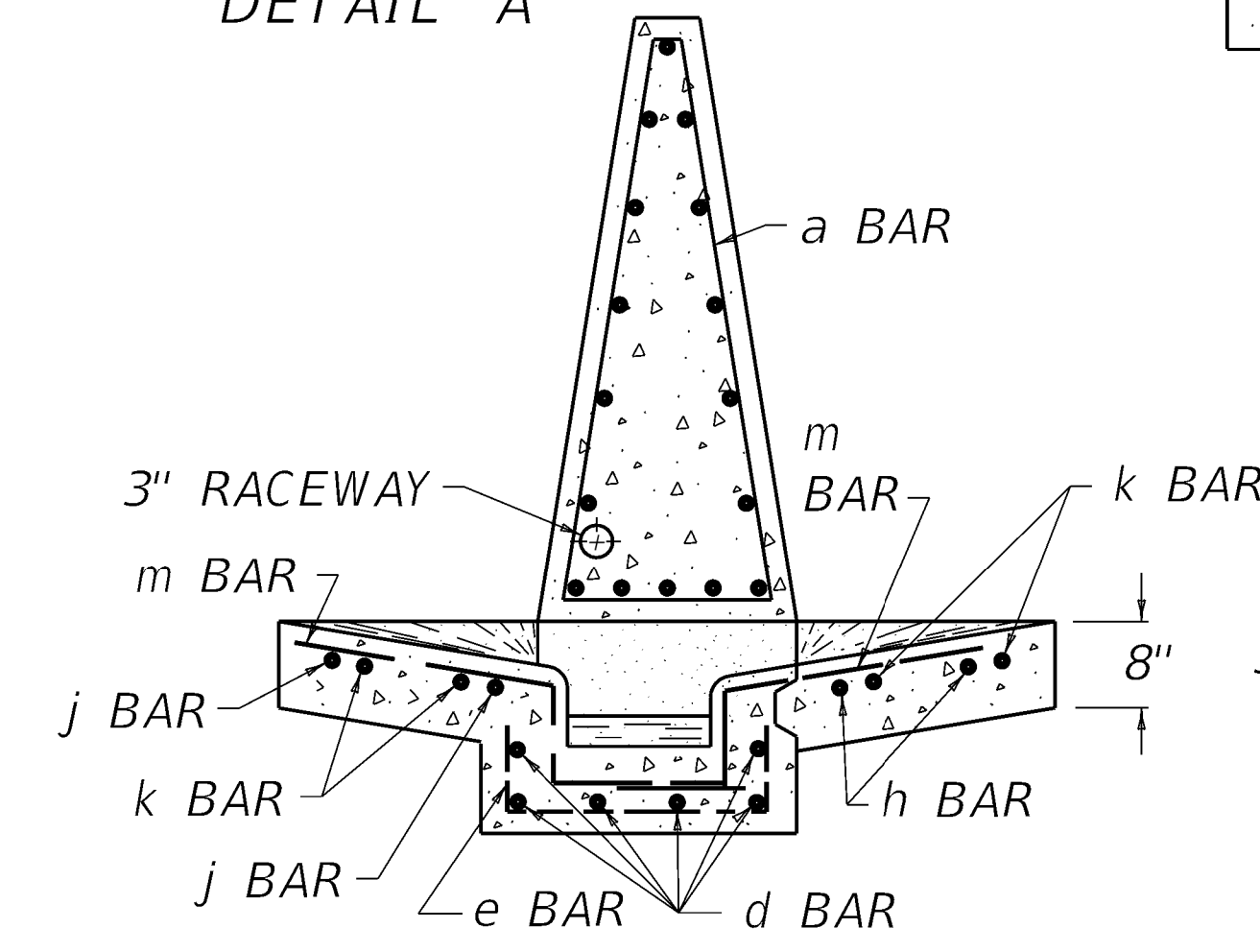
PLAN VIEW (BOX INLET TYPE A)



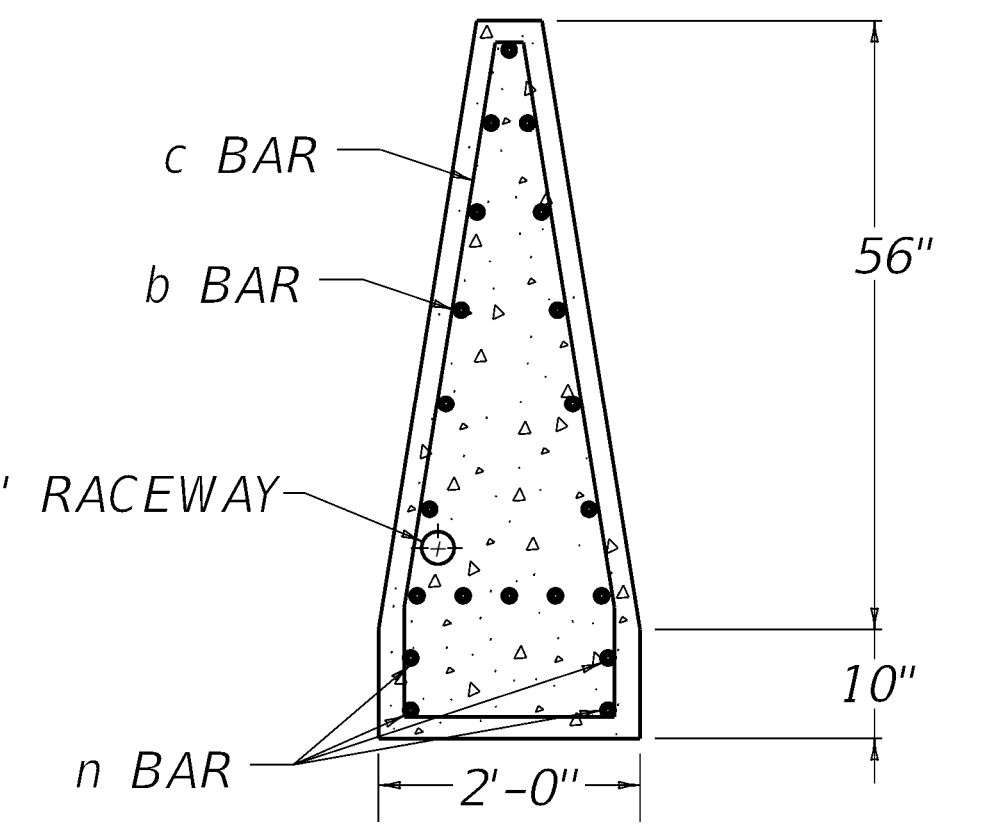
DETAIL "A"



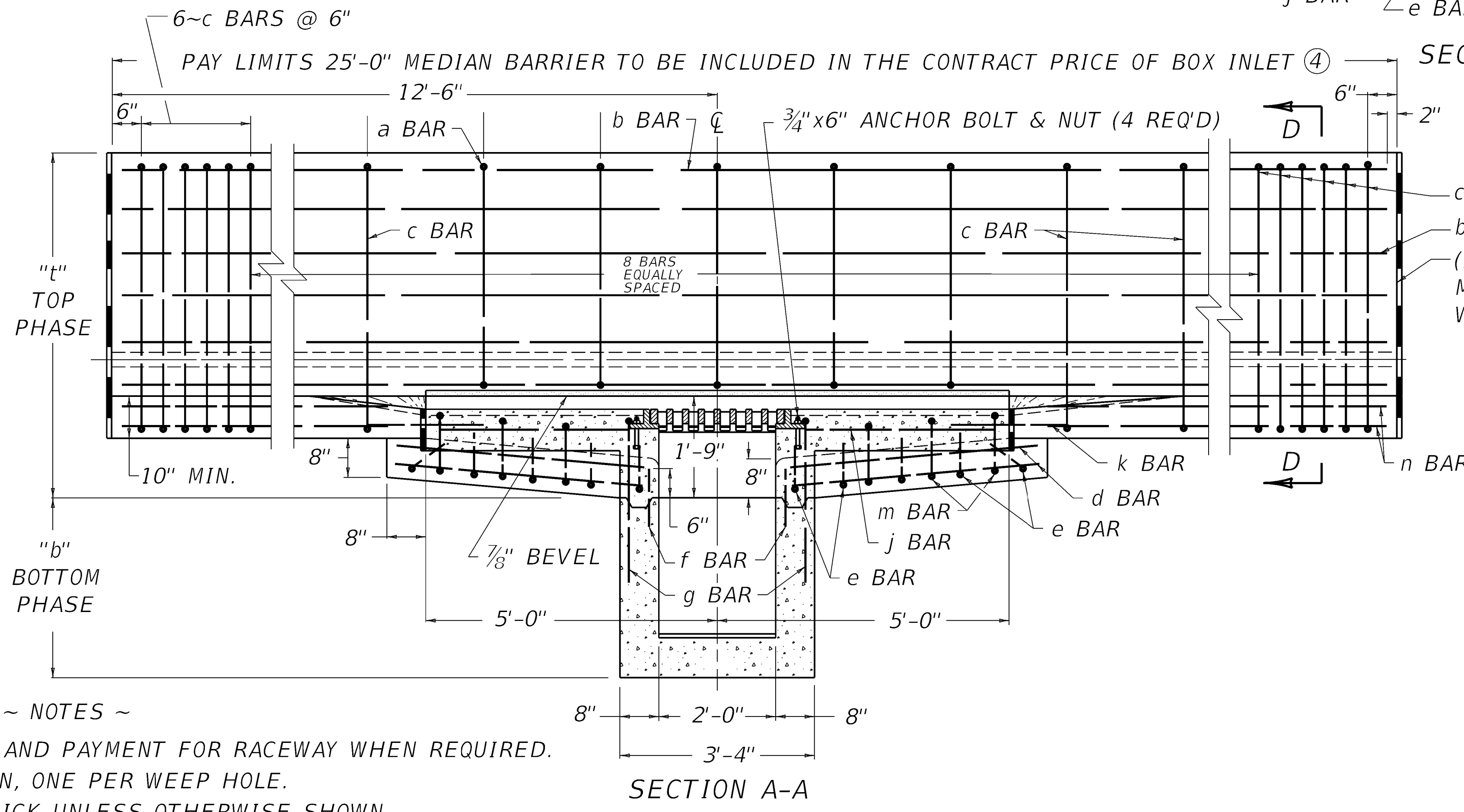
BOX INLET TYPE B



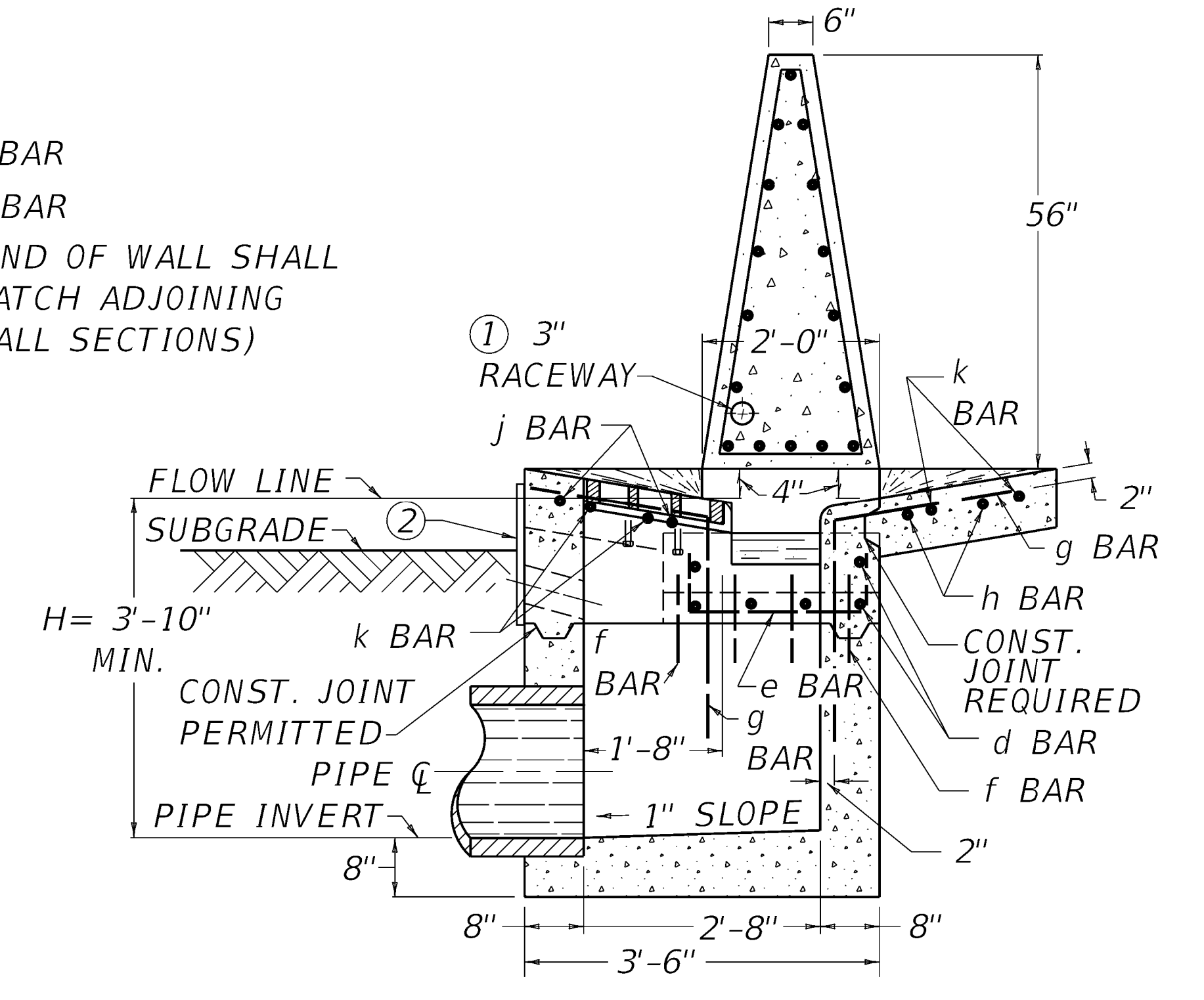
SECTION C-C



SECTION D-D



SECTION A-A



SECTION B-B

WATER FLOW → k BAR j BAR g BAR g BAR j BAR k BAR ← WATER FLOW  
 1/2" EXPANSION JOINT (TYP.) USE IN CONJUNCTION WITH CONCRETE PAVEMENT.

AREA WILL NOT BE A PART OF THE STRUCTURE WHEN SUPERELEVATED.

PAY LIMITS

~ NOTES ~

- ① SEE PLANS FOR SIZE, LOCATION, AND PAYMENT FOR RACEWAY WHEN REQUIRED.
- ② FABRIC WRAPPED BACKFILL DRAIN, ONE PER WEEP HOLE.
- 3. ALL WALLS AND SLABS ARE 8" THICK UNLESS OTHERWISE SHOWN.
- ④ MEDIAN BARRIER WALL MAY BE CAST-IN-PLACE, FIXED, OR SLIP-FORMED.
- 5. WALL REINFORCEMENT IS DETAILED FOR CAST-IN-PLACE WALLS AND SLIP FORMED WALLS. SEE CURRENT SHEET, SHEET 006, FOR STEEL DETAIL.
- 6. DETAIL "A" SHOWS BOX INLET AND THE 25' CONCRETE MEDIAN BARRIER IN SUPERELEVATION.
- 7. PLAN VIEW DOES NOT SHOW STEEL REINFORCEMENT IN THE CONCRETE MEDIAN BARRIER.

USE WITH CURRENT SHEETS, SHEET 006 AND SHEET 010.

SUBMITTED *W. T. Lujan* 07-23-2024  
 DIVISION DIRECTOR DATE