

~ NOTES ~

1. TRANSITION CONDITION NO. 1, 2 AND 3 ALONG WITH SYMMETRICAL AND ASYMMETRICAL BARRIER SECTIONS ARE DEPICTED ON THIS DRAWING FOR ILLUSTRATION PURPOSES ONLY AT STRUCTURES AND FIXED OBJECTS. (SEE PLANS FOR ADDITIONAL DETAILS)

2. ALL PAVEMENT, FILL MATERIAL, PIPE DRAINAGE (EXCLUSIVE OF WEEP HOLE PIPE) PLACED BETWEEN SEGMENTS OF THE BARRIER SHALL BE SHOWN SEPARATELY OR INCLUDED WITH OTHER LIKE PAY ITEMS ON THE PROJECT. WEEP HOLES ARE INCIDENTAL TO THE BID ITEM.

3. FOR DETAILS PERTAINING TO ROADWAY OR BRIDGE APPLICATIONS, SEE CURRENT BRIDGE DRAWING. THE METHOD OF MEASUREMENT FOR CONCRETE MEDIAN BARRIER FOR EACH TYPE WILL BE IN LINEAR FEET MEASURED ALONG THE TOP CENTERLINE OF THE BARRIER.

④ SEE ELSEWHERE IN PLANS FOR LOCATION AND PAYMENT FOR RACEWAY WHEN REQUIRED.


⑤ 4" PIPE FOR WEEP HOLES SPACED ON 20' CENTERS AND STAGGERED 10' WITH EACH WALL.

⑥ VARIABLE WIDTH.

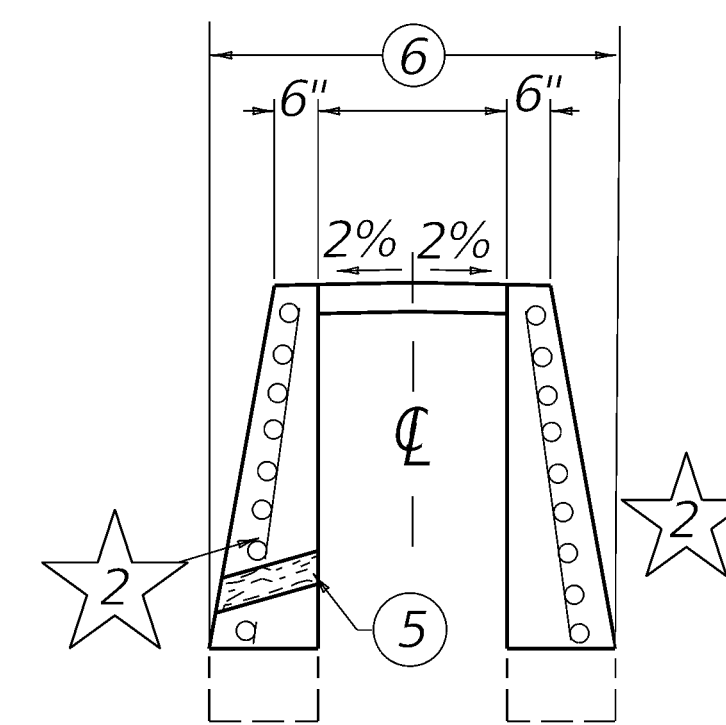
7. CONSTRUCT USING CONCRETE CLASS AA WITH A STRENGTH OF 4000 PSI.

BID ITEM AND UNIT TO BID

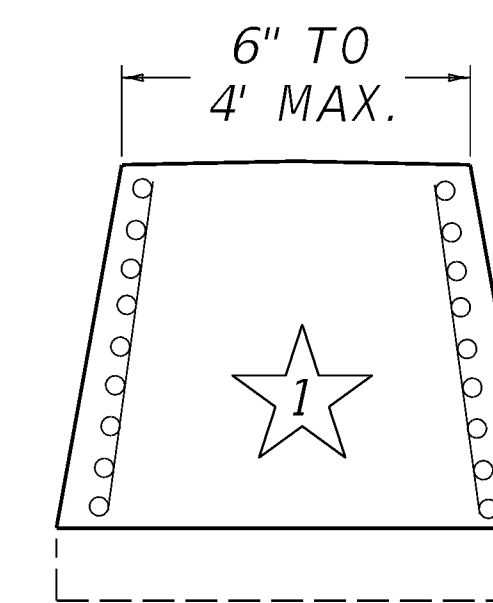
CONCRETE MEDIAN BARRIER TYPE  TL5 56" TALL WALL LF

-  1 = SOLID SEGMENT- DENOTES BARRIER WALL WITH:
  - a. TRANSITION FROM "W" WIDTH TO MAX. WIDTH OF 4'.
  - b. CONSTANT WIDTH WALL GREATER THAN "W" WIDE BUT NOT GREATER THAN 4' WIDE. (EX.: WALL BETWEEN BRDG. PIERS).
- 2 = SEPARATE SEGMENT

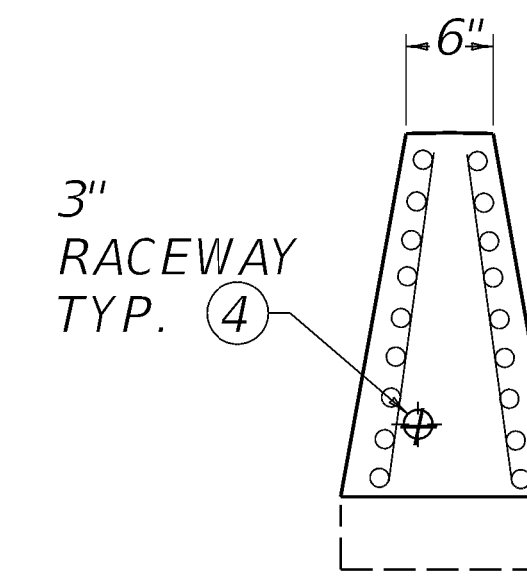
USE WITH CURRENT SHEET, SHEET 006.



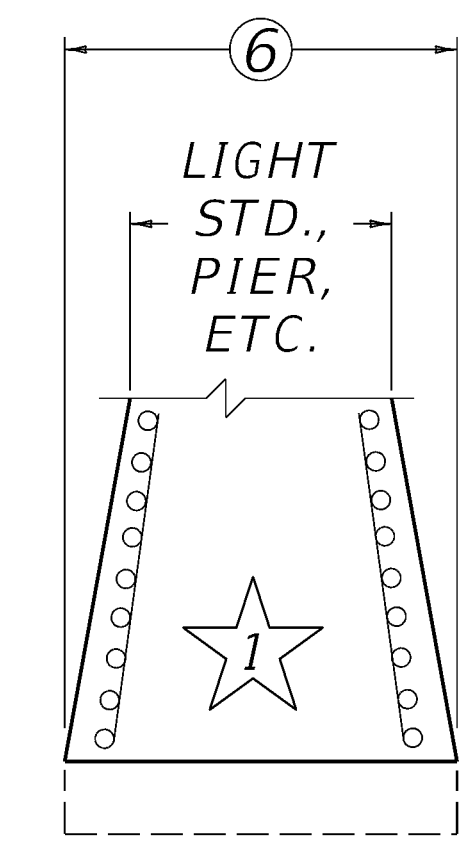
SECTION A-A



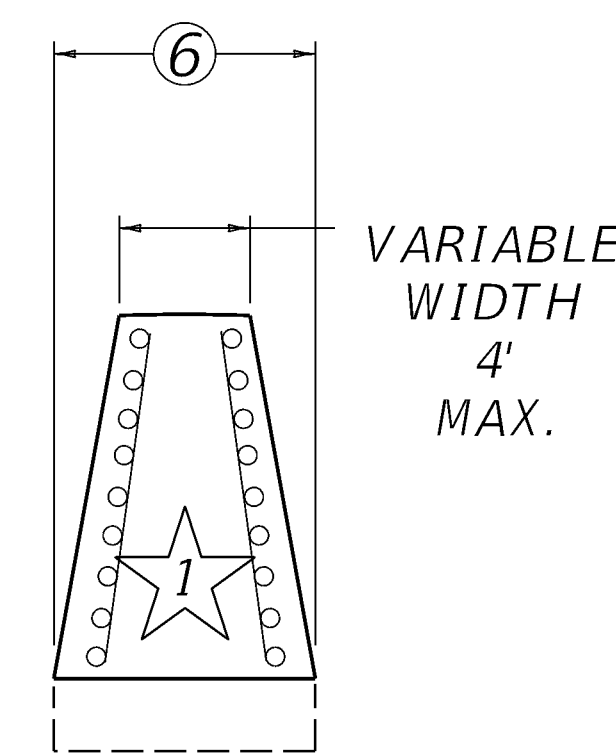
SECTION B-B



NORMAL SECTION SECTION C-C



SECTION D-D



SECTION E-E



COMMONWEALTH OF KENTUCKY  
DEPARTMENT OF HIGHWAYS

SEPIA 042: CONCRETE BARRIER WALLS

SHEET 008: CONCRETE MEDIAN BARRIER TL5 56" - HORIZONTAL TRANSITIONS

REVISION DATE: 7.23.2024  
REVISION NUMBER: 0

ITEM NO. COUNTY OF  
SHEET NO.