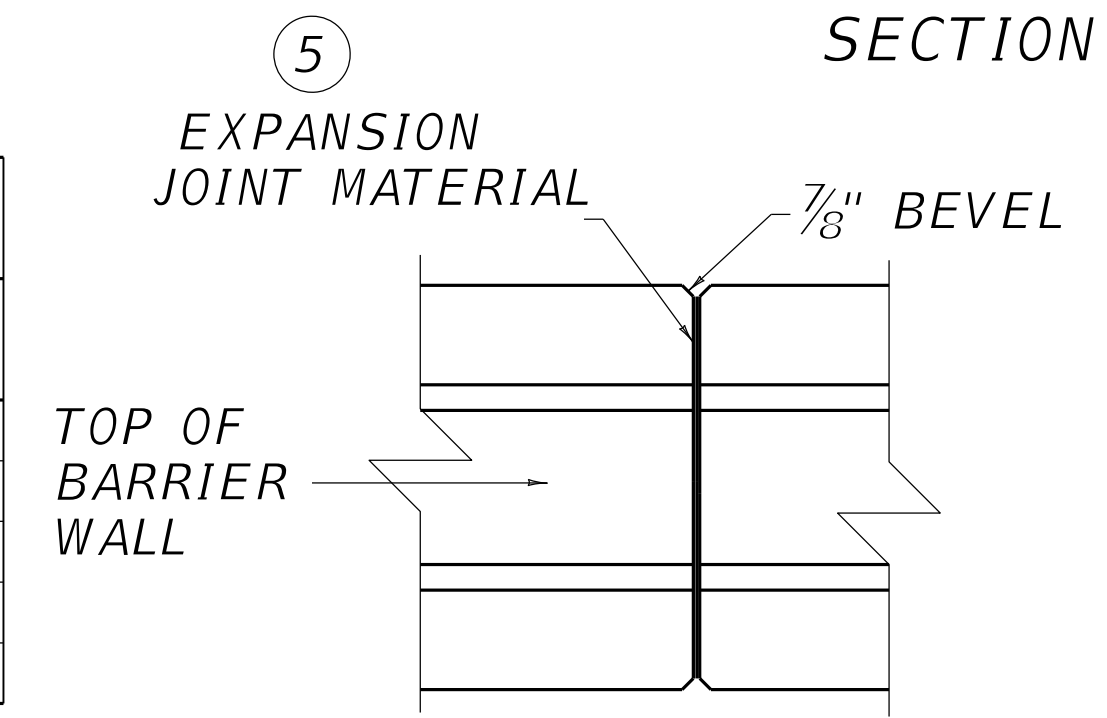
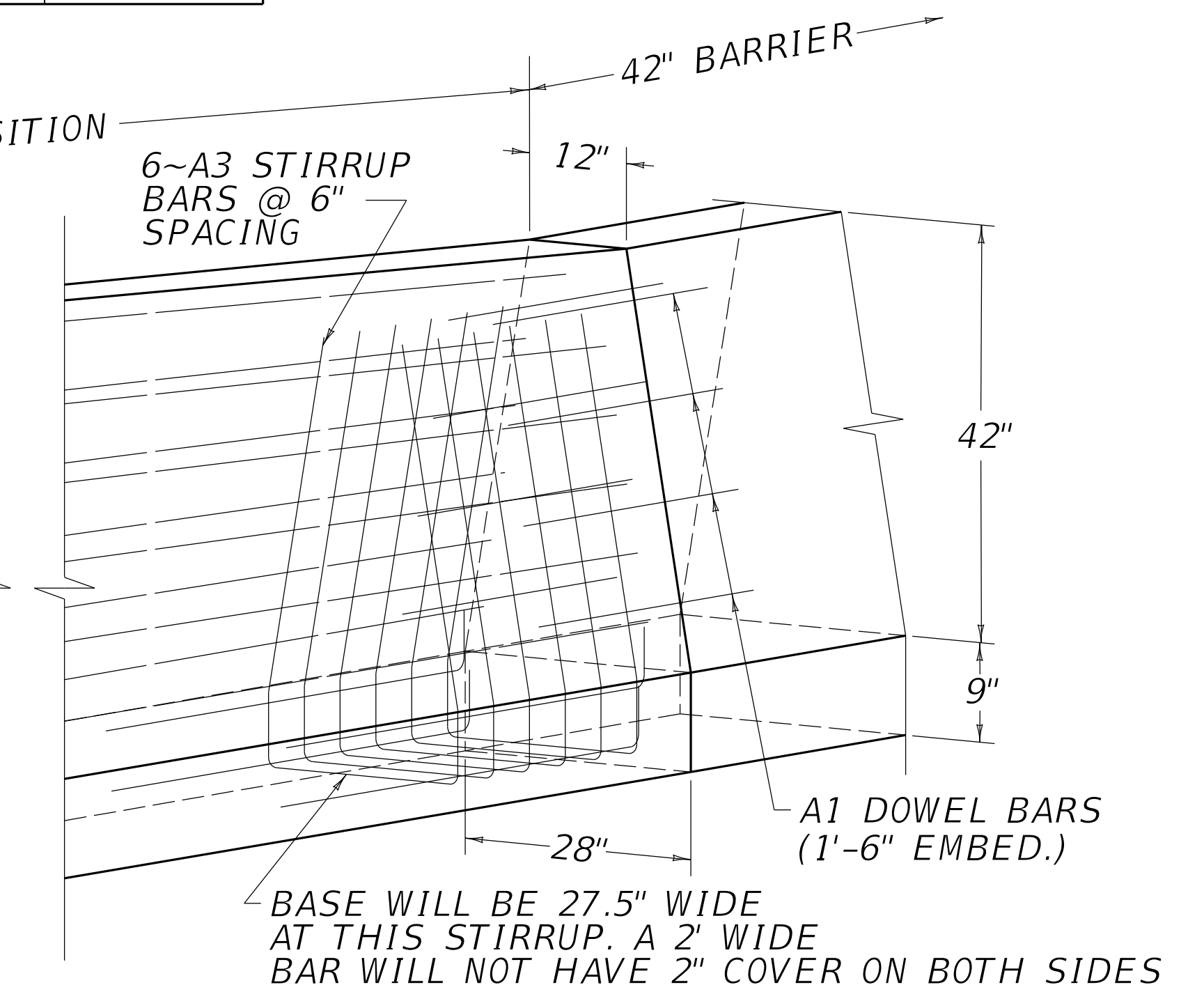
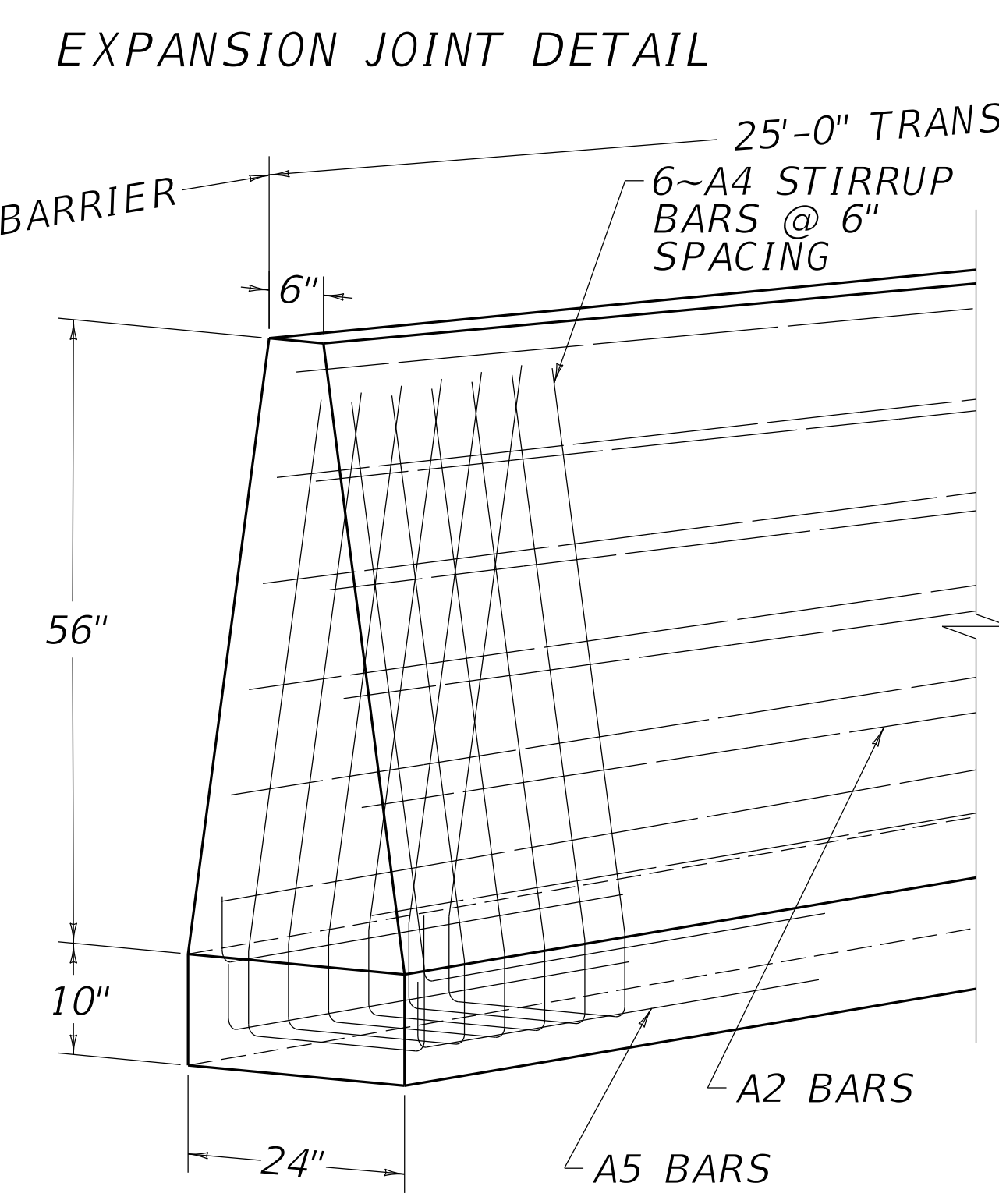
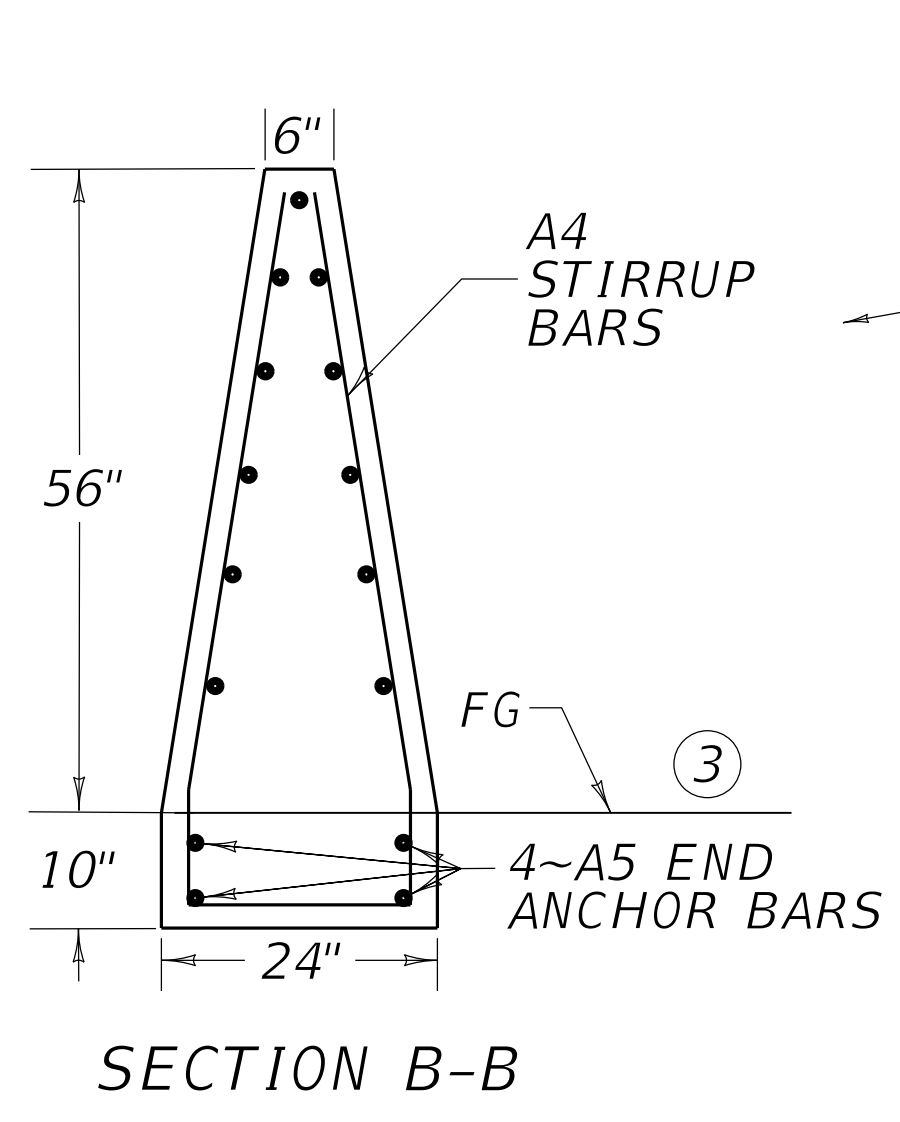
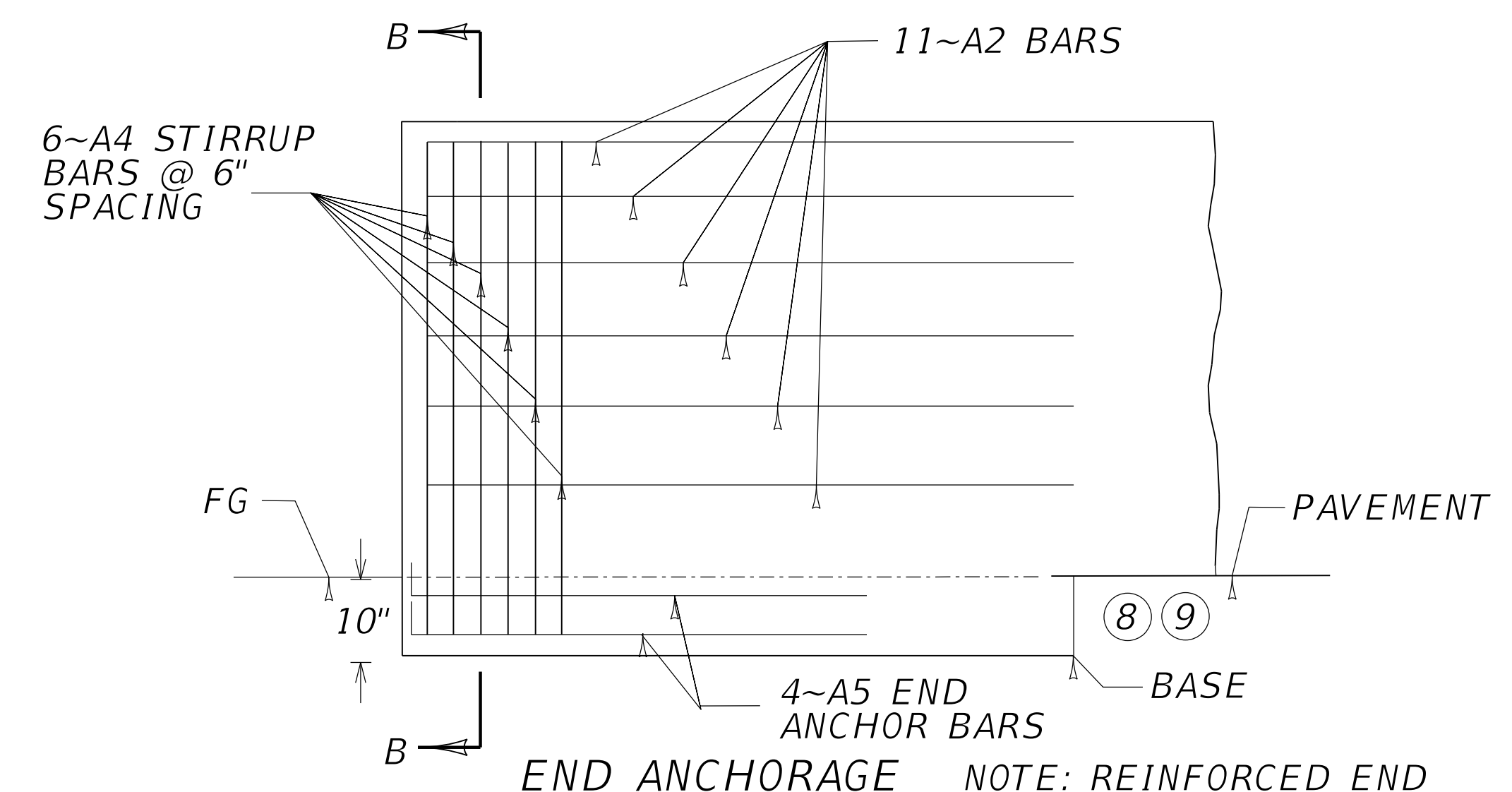


| BILL OF REINFORCEMENT | | | | | | | | | |
|-----------------------|-----|------|---------|--------------------|--------|------------|--------|------------|------------|
| MARK | NO. | SIZE | LENGTH | LOCATION | A | B | C | D | E |
| A1 | 8 | 5 | 3'- 0" | DOWELS | | | | | |
| A2 | 11 | 5 | 24'- 8" | LONGITUDINAL | | | | | |
| A3 | 6 | 4 | 9'- 3" | STIRRUP AT 42" END | 2'- 0" | 0'- 7 1/2" | 3'- 0" | 3'- 0 5/8" | 0'- 6 7/8" |
| A4 | 6 | 4 | 11'- 3" | STIRRUP AT 56" END | 1'- 8" | 0'- 7 1/2" | 4'- 2" | 4'- 2 5/8" | 0'- 8" |
| A5 | 8 | 5 | 5'- 5" | END ANCHORS | 0'- 6" | 5'- 0" | | | |

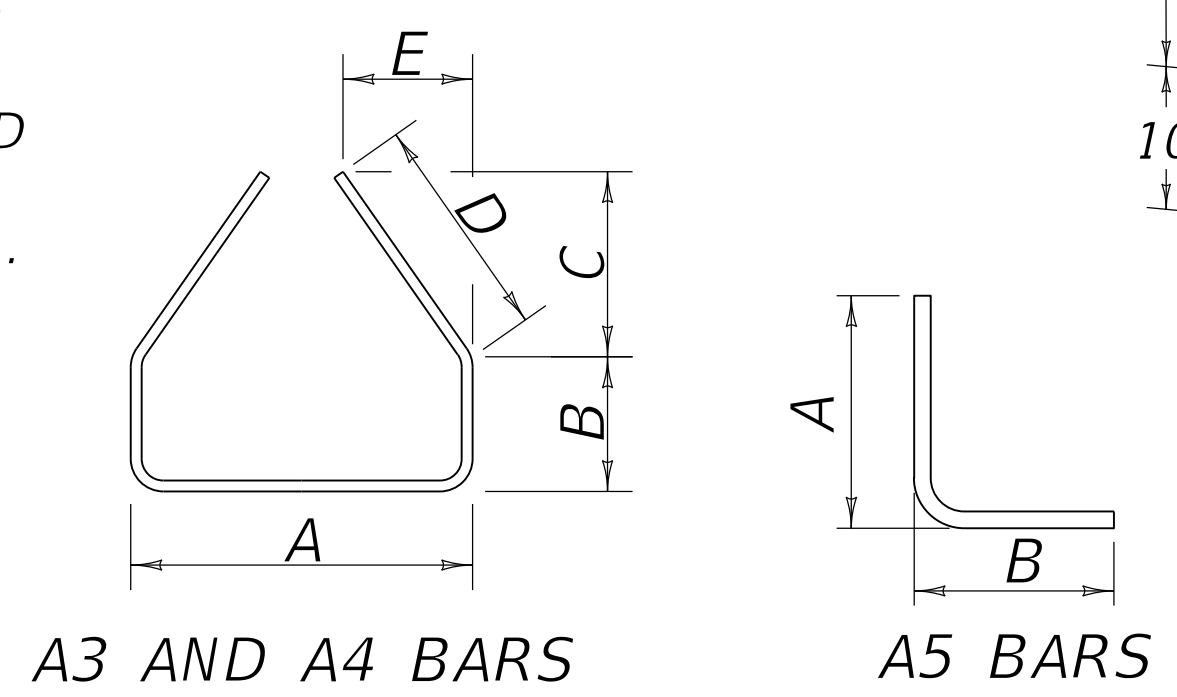


| QUANTITIES | |
|------------|----------|
| CONCRETE | 7 C.Y. |
| STEEL | 440 LBS. |



NOTE: REINFORCED END ANCHORAGES ARE REQUIRED AT THE ENDS OF CONCRETE BARRIER RUNS. SEE ALL END ANCHORAGE NOTES IN NOTES ⑧ AND ⑨.

~NOTES~
SEE CURRENT SHEET, SHEET 007, FOR ALL NOTES
USE WITH CURRENT SHEET, SHEET 007.



SUBMITTED *W. J. Szymon* 08-20-2024
DIVISION DIRECTOR DATE