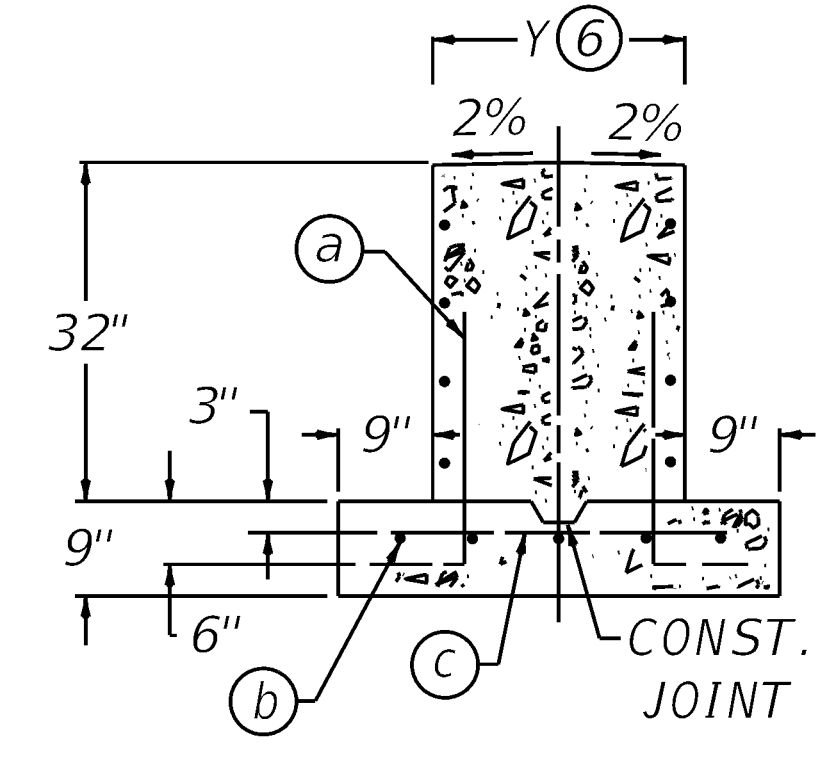
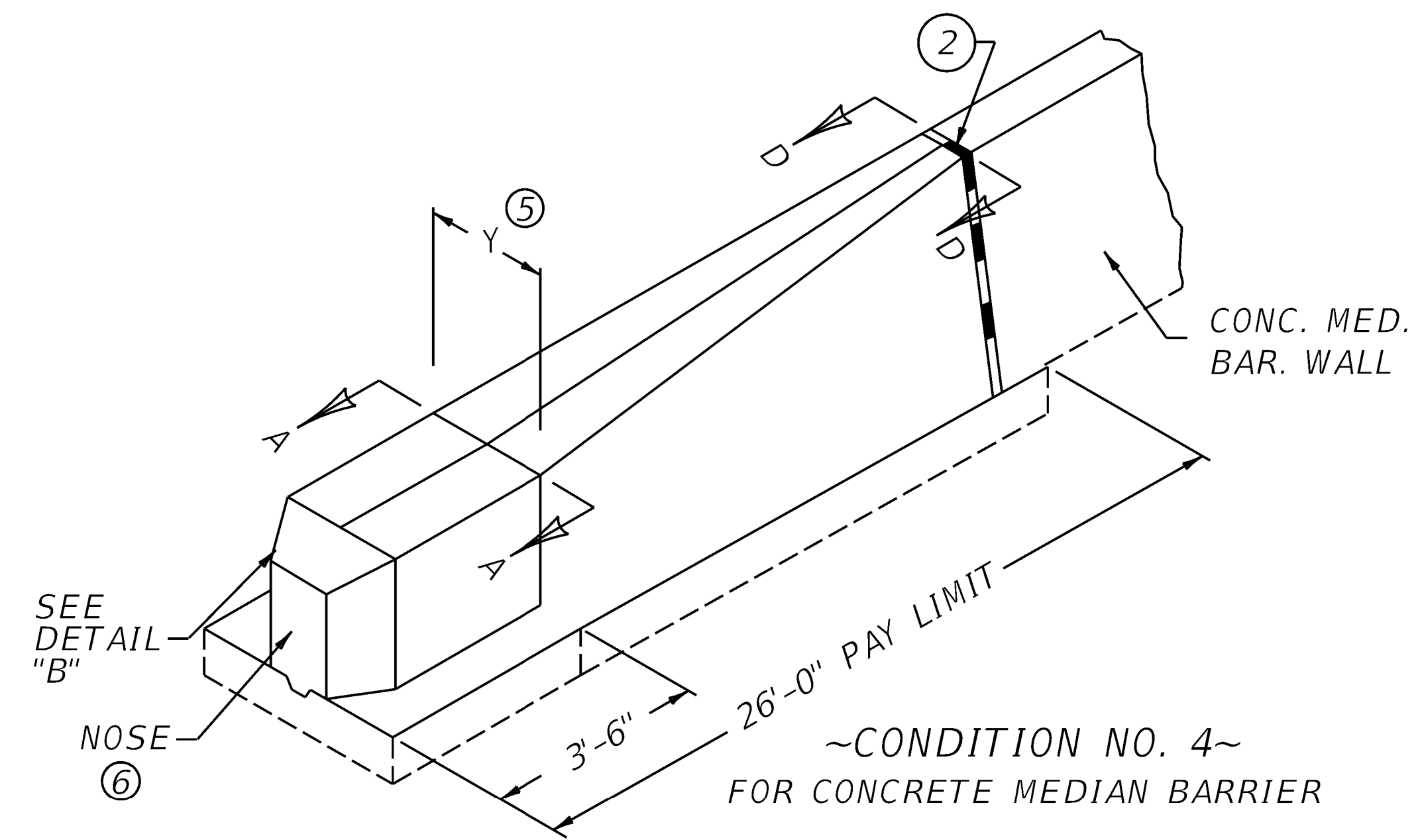
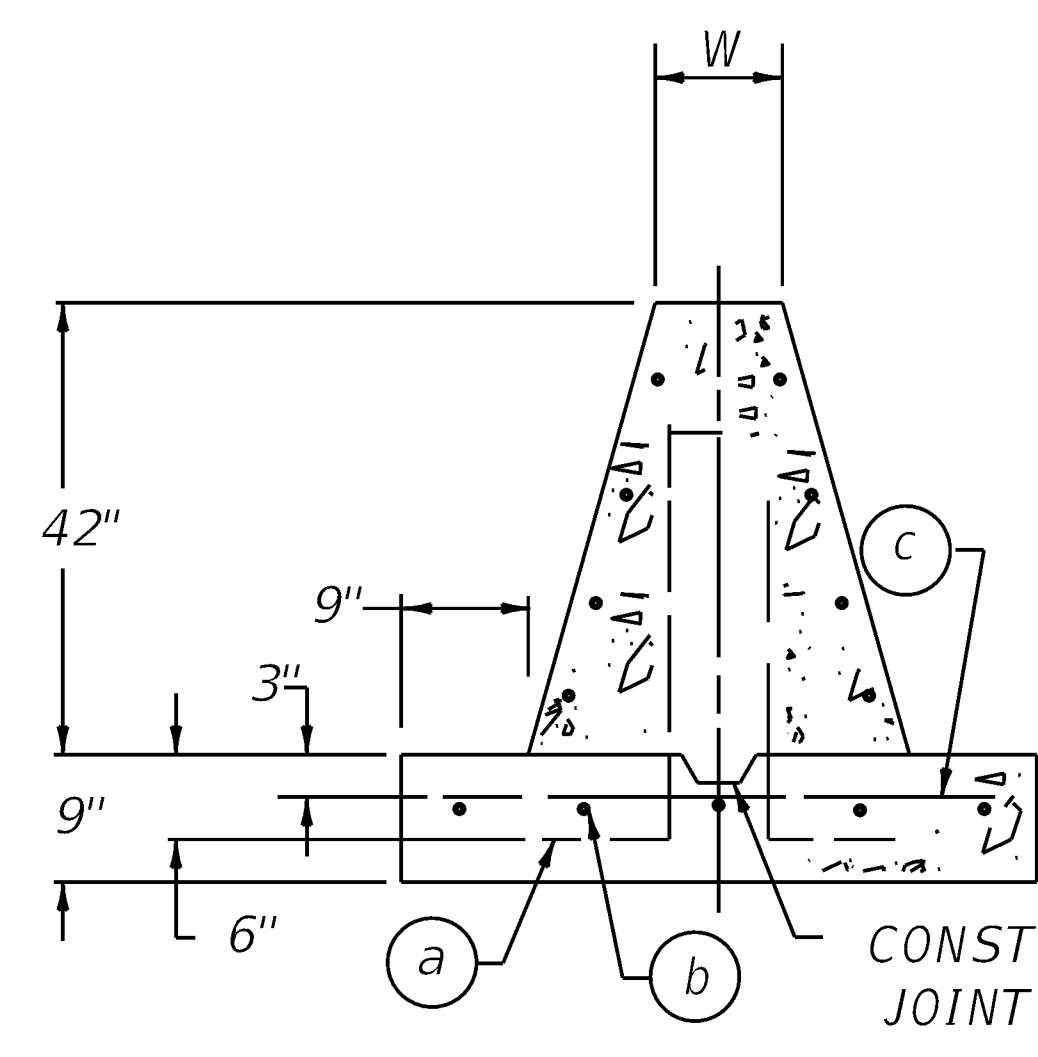


| CONDITION NO. | NO. 5 STEEL REINFORCEMENT BARS |      |       |      |        |      |       |      | CUBIC YARD ④    |                 |
|---------------|--------------------------------|------|-------|------|--------|------|-------|------|-----------------|-----------------|
|               | W                              | QTY. | LGTH. | QTY. | LGTH.  | QTY. | LGTH. | LBS. | CLASS "A" CONC. | Y=2'-0" Y=1'-6" |
| 4             | 12"                            | 24   | 2'-9" | 5    | 11'-6" | 12   | 2'-8" | 163  | 3.38            | 2.89            |
|               |                                |      |       |      |        |      |       |      | 3.51            | 3.03            |

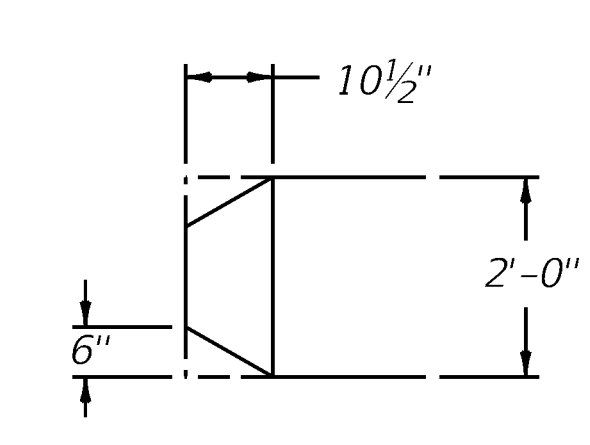
④ SEE NOTE 7 ON SHEET 005 FOR LONGITUDINAL DOWELS



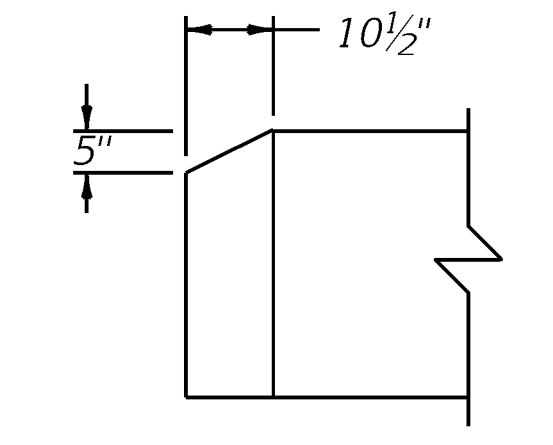
SECTION A-A



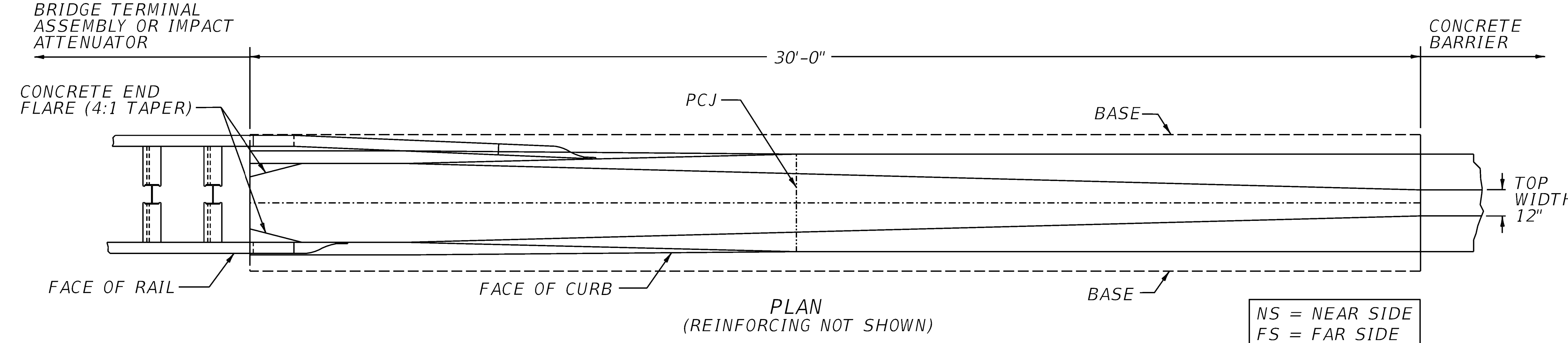
SECTION D-D



DETAIL "A" ⑤

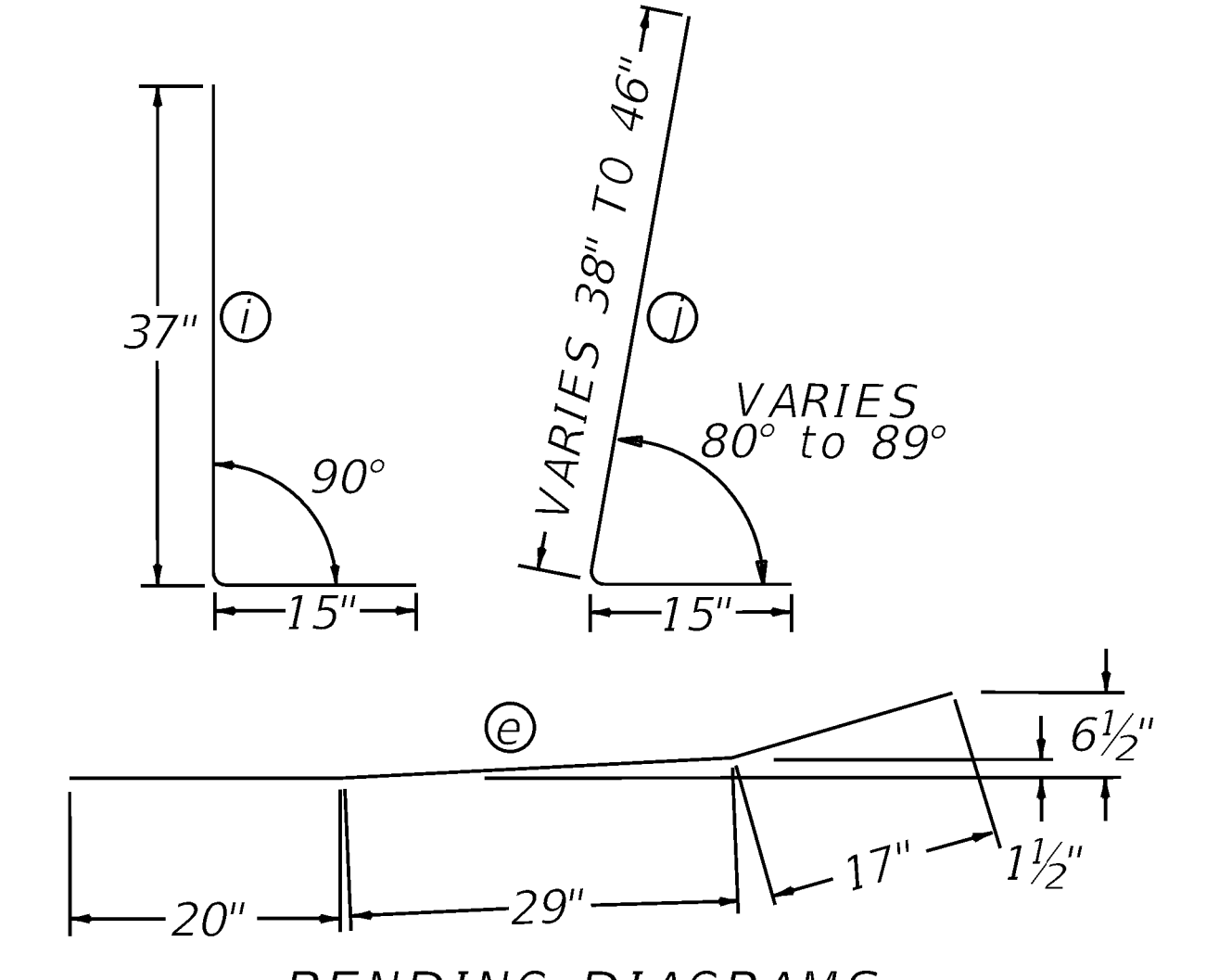


DETAIL "B"

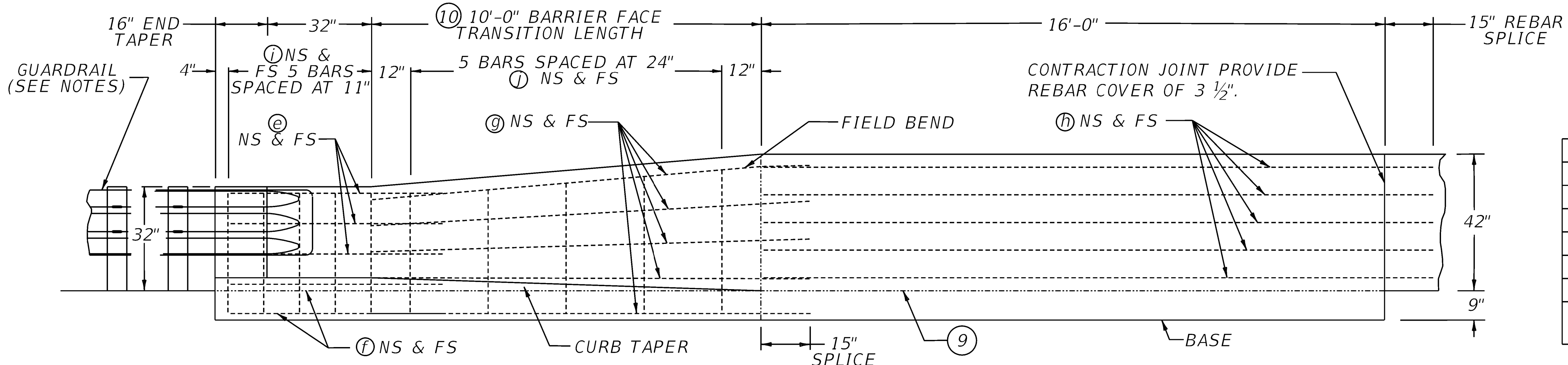


PLAN (REINFORCING NOT SHOWN)

NS = NEAR SIDE  
FS = FAR SIDE



BENDING DIAGRAMS



ELEVATION BARRIER END SECTION TYPE B

~NOTES~  
SEE CURRENT SHEET, SHEET 005, FOR ALL NOTES

USE WITH CURRENT SHEET, SHEET 005.

| TYPE B STEEL LIST |     |          |               |                       |
|-------------------|-----|----------|---------------|-----------------------|
| MARK              | BAR | SHAPE    | NO.           | LENGTH                |
| ⑤                 | #5  | BENT     | 6             | 5'-6"                 |
| ⑥                 | #5  | STRAIGHT | 4             | 5'-6"                 |
| ⑨                 | #5  | STRAIGHT | 10            | 11'-1"                |
| ⑩                 | #5  | STRAIGHT | 10            | 17'-2"                |
| ①                 | #6  | BENT     | 10            | 4'-2"                 |
| ②                 | #6  | BENT     | 2 SERIES OF 5 | VARIES 4'-3" TO 5'-3" |

SUBMITTED *W. J. Lujan* 07-23-2024  
DIVISION DIRECTOR DATE



COMMONWEALTH OF KENTUCKY  
DEPARTMENT OF HIGHWAYS

SEPIA 042: CONCRETE BARRIER WALLS

SHEET 004B: CONCRETE MEDIAN BARRIER TL3 42" END SECTIONS

REVISION DATE: 7.23.2024  
REVISION NUMBER: 0

ITEM NO. COUNTY OF  
SHEET NO.