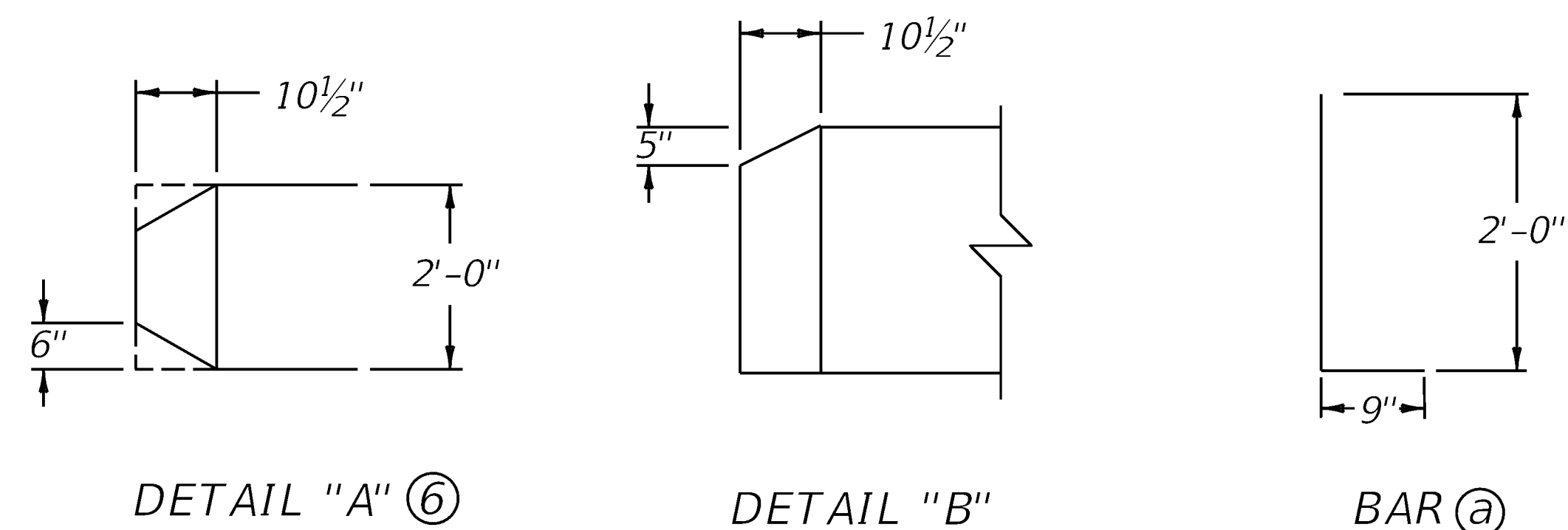


CONDITION NO.	NO. 5 STEEL REINFORCEMENT BARS								CUBIC YARD (4) CLASS "A" CONC.	
	W	BAR (a)		BAR (b)		BAR (c)		LBS.	Y=2'-0"	Y=1'-6"
		QTY.	LGTH.	QTY.	LGTH.	QTY.	LGTH.			
1	6"	52		5	25'-6"	26		354	11.56	10.19
2	-	24	2'-9"	5	11'-6"	12	2'-8"	163	4.07	3.58
3	-	40			19'-6"	20		272	7.70	6.96

(d) SEE NOTE 7 ON SHEET 005 FOR LONGITUDINAL DOWELS

~NOTES~
SEE CURRENT SHEET, SHEET 005, FOR ALL NOTES.
USE WITH CURRENT SHEET, SHEET 005.



SUBMITTED *W. J. Lupton* DIVISION DIRECTOR 07-23-2024 DATE



COMMONWEALTH OF KENTUCKY
DEPARTMENT OF HIGHWAYS

SEPIA 042: CONCRETE BARRIER WALLS

SHEET 004A: CONCRETE MEDIAN BARRIER TL3 42" END SECTIONS

REVISION DATE: 7.23.2024
REVISION NUMBER: 0

ITEM NO. COUNTY OF
SHEET NO.