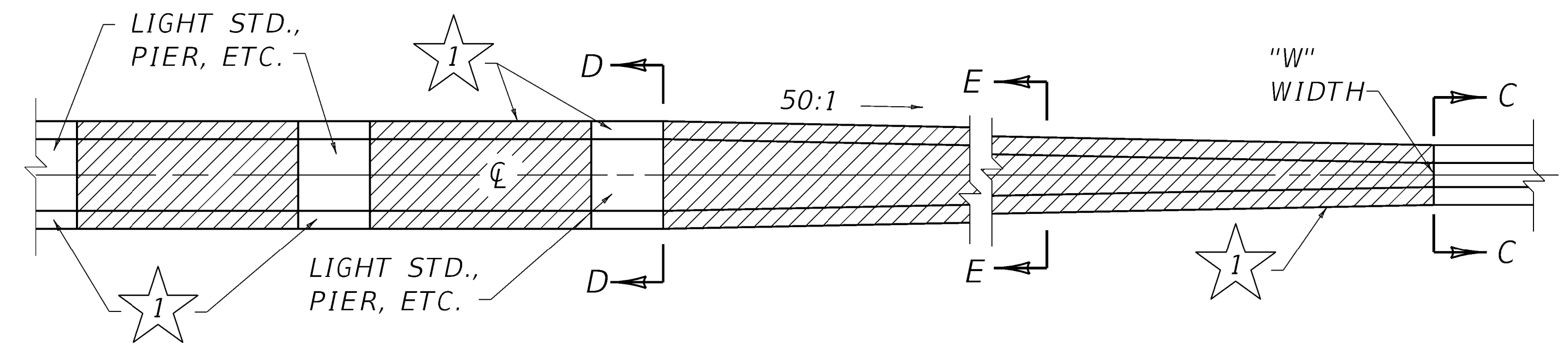


CONDITION NO. 1




CONDITION NO. 2

~ NOTES ~

1. TRANSITION CONDITION NO. 1, 2 AND 3 ALONG WITH SYMMETRICAL AND ASYMMETRICAL BARRIER SECTIONS ARE DEPICTED ON THIS DRAWING FOR ILLUSTRATION PURPOSES ONLY AT STRUCTURES AND FIXED OBJECTS. (SEE PLANS FOR ADDITIONAL DETAILS)
2. ALL PAVEMENT, FILL MATERIAL, PIPE DRAINAGE (EXCLUSIVE OF WEEP HOLE PIPE) PLACED BETWEEN SEGMENTS OF THE BARRIER SHALL BE SHOWN SEPARATELY OR INCLUDED WITH OTHER LIKE PAY ITEMS ON THE PROJECT.
3. FOR APPLICATION DETAILS TO NEW OR EXISTING PAVEMENT SEE CUR. SHEET, SHEET 001.
- ④ SEE ELSEWHERE IN PLANS FOR SIZE, LOCATION AND PAYMENT FOR RACEWAY WHEN REQUIRED.
- ⑤ 4" PIPE FOR WEEP HOLES SPACED ON 20' CENTERS AND STAGGERED 10' WITH EACH WALL.

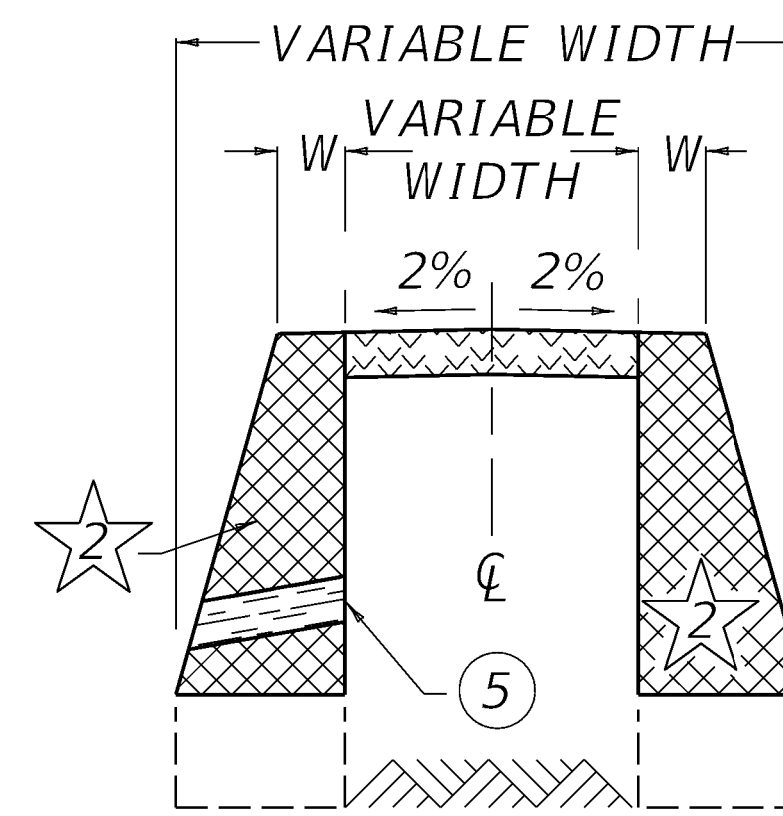
BID ITEM AND UNIT TO BID:  
 CONCRETE MEDIAN BARRIER TYPE   TL3 42" LF

 A, B, C, D OR E DEPENDING ON PAVEMENT APPLICATION.

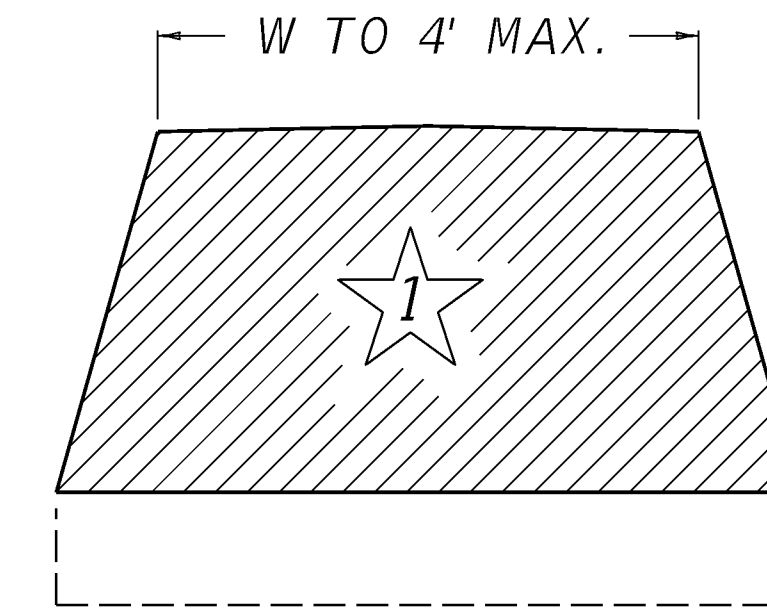
 1 = SOLID SEGMENT- DENOTES BARRIER WALL WITH:  
 a. TRANSITION FROM "W" WIDTH TO MAX. WIDTH OF 4'.  
 b. CONSTANT WIDTH WALL GREATER THAN "W" WIDE BUT NOT GREATER THAN 4' WIDE. (EX.: WALL BETWEEN BRDG. PIERS).  
 2 = SEPARATE SEGMENT

THE METHOD OF MEASUREMENT FOR CONCRETE MEDIAN BARRIER FOR EACH TYPE WILL BE IN LINEAR FEET MEASURED ALONG THE TOP CENTERLINE OF THE BARRIER.

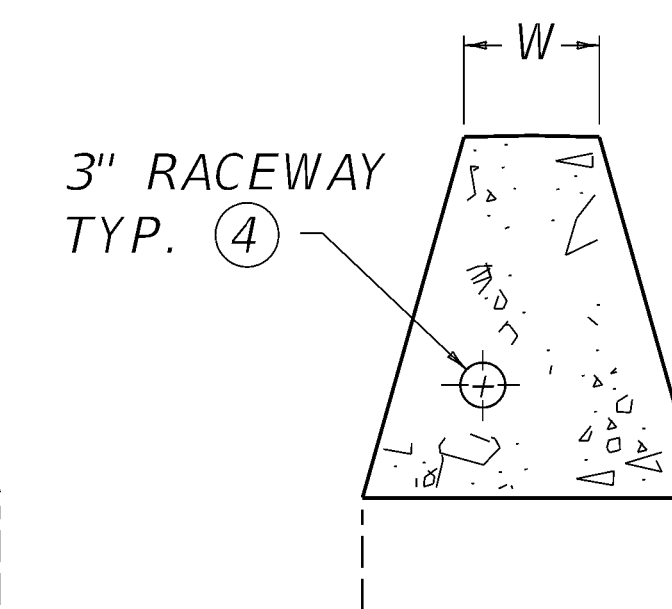
USE WITH CURRENT SHEET, SHEET 001.



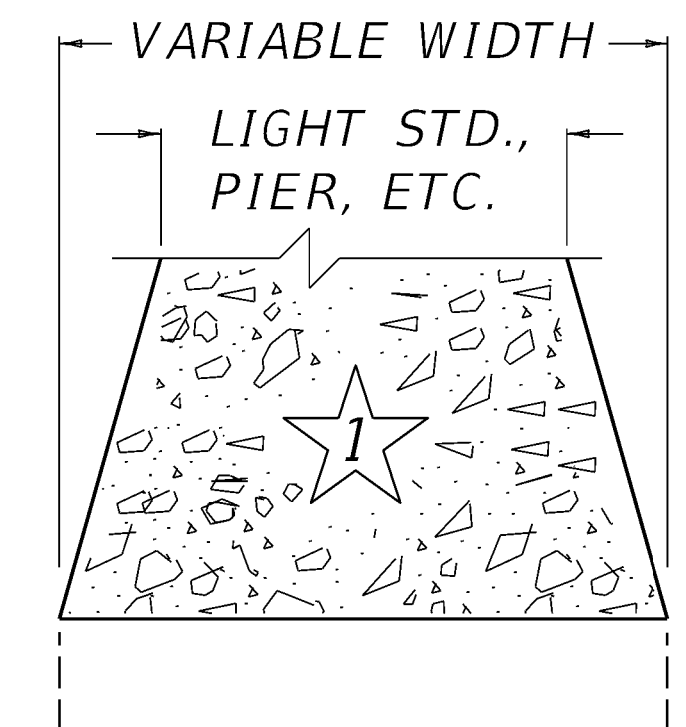
SECTION A-A



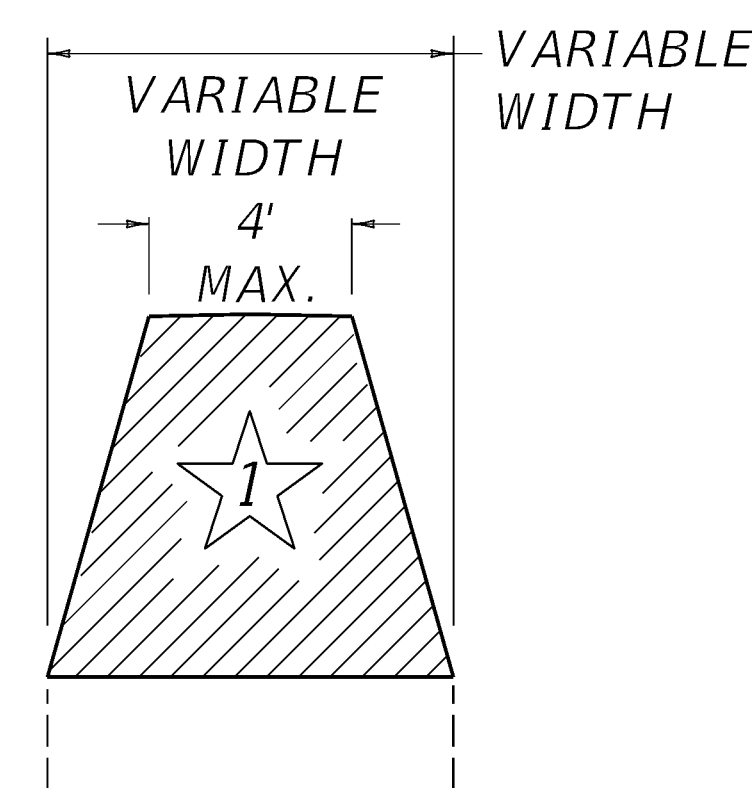
SECTION B-B



NORMAL SECTION C-C



SECTION D-D



SECTION E-E

SUBMITTED  07-23-2024  
 DIVISION DIRECTOR DATE



COMMONWEALTH OF KENTUCKY  
 DEPARTMENT OF HIGHWAYS

SEPIA 042: CONCRETE BARRIER WALLS

SHEET 003: CONCRETE MEDIAN BARRIER TL3 42" - HORIZONTAL TRANSITIONS

REVISION DATE: 7.23.2024  
 REVISION NUMBER: 0

ITEM NO. COUNTY OF  
 SHEET NO.