

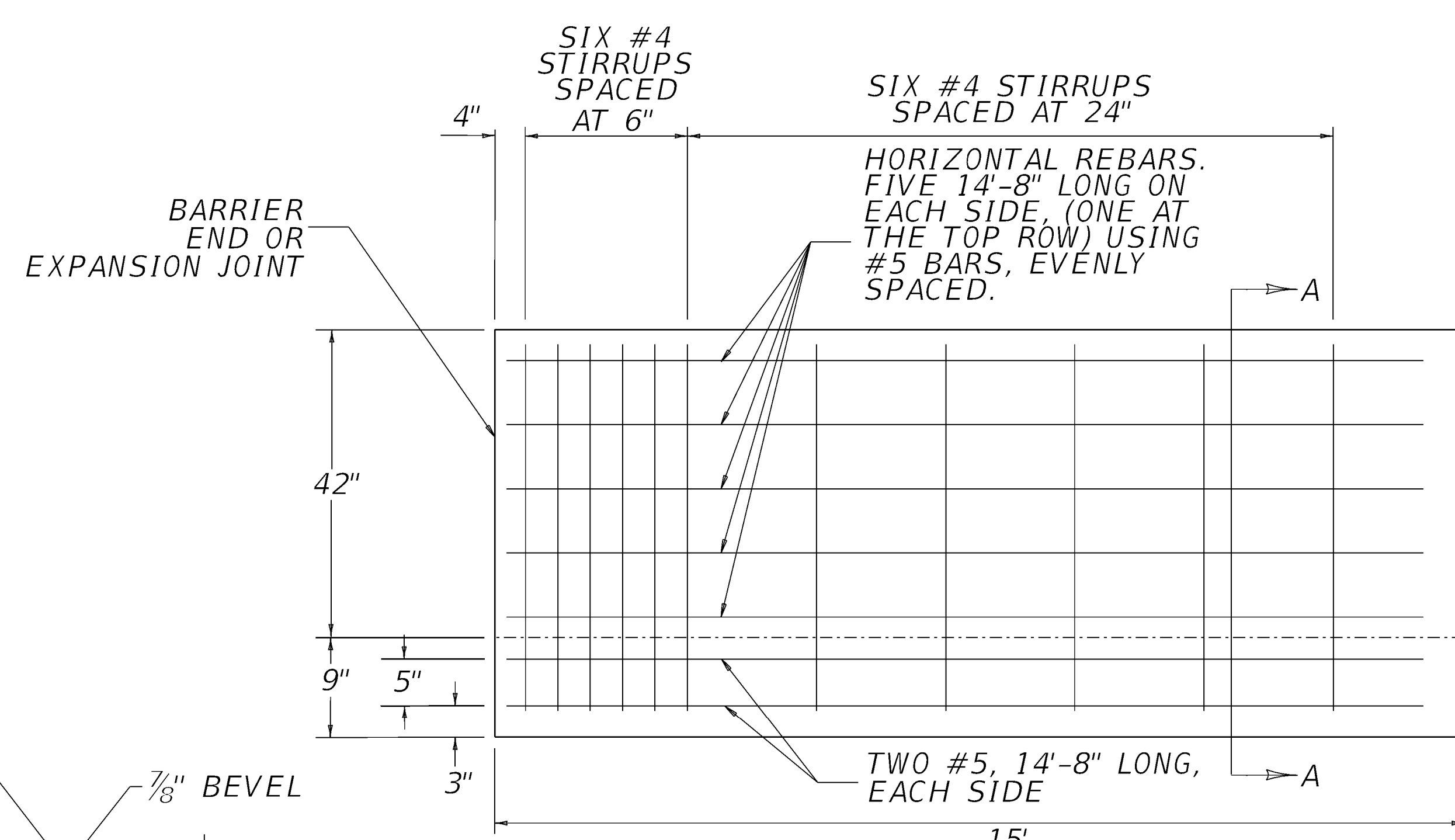
NEW RIGID PAVEMENT

NEW FLEXIBLE PAVEMENT

NEW FLEXIBLE OVERLAY OVER EXISTING RIGID PAVEMENT

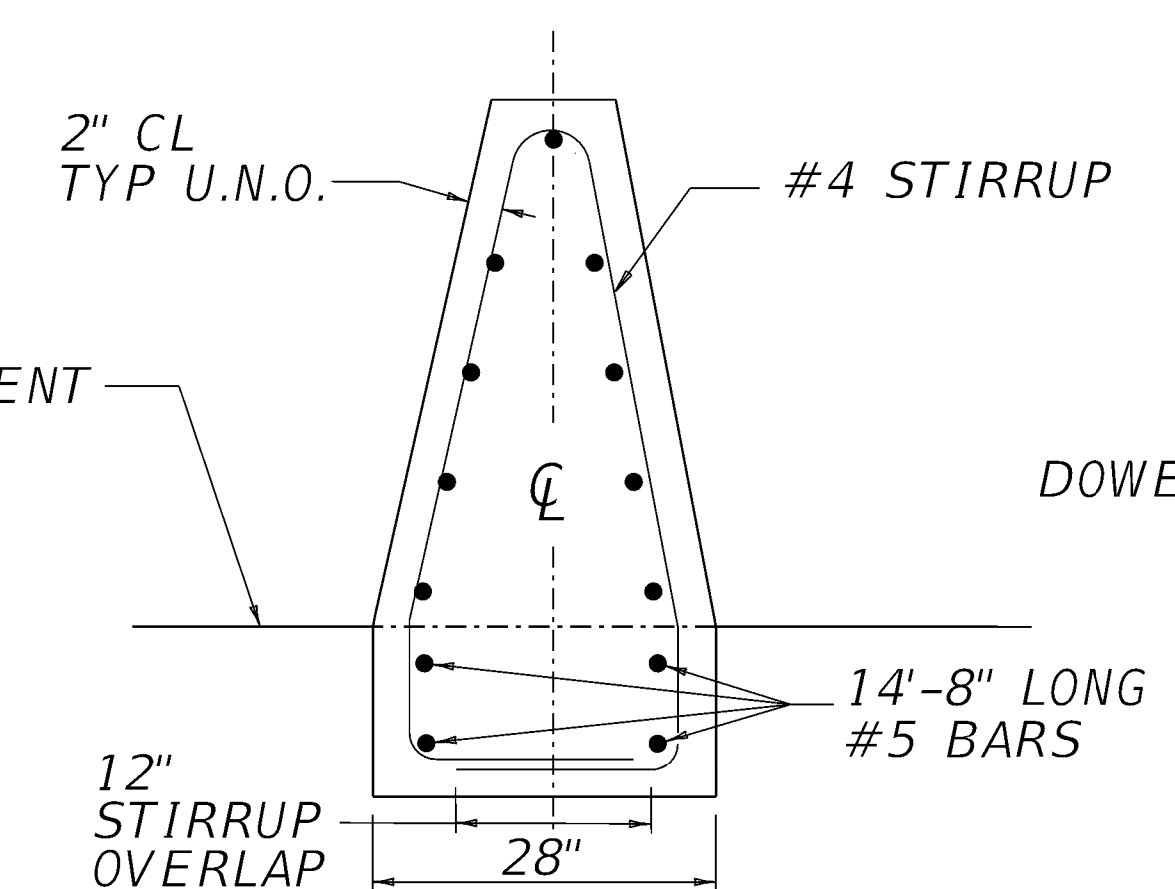
NEW FLEXIBLE OVERLAY OVER EXISTING FLEXIBLE PAVEMENT

ASYMMETRICAL WALL SECTION

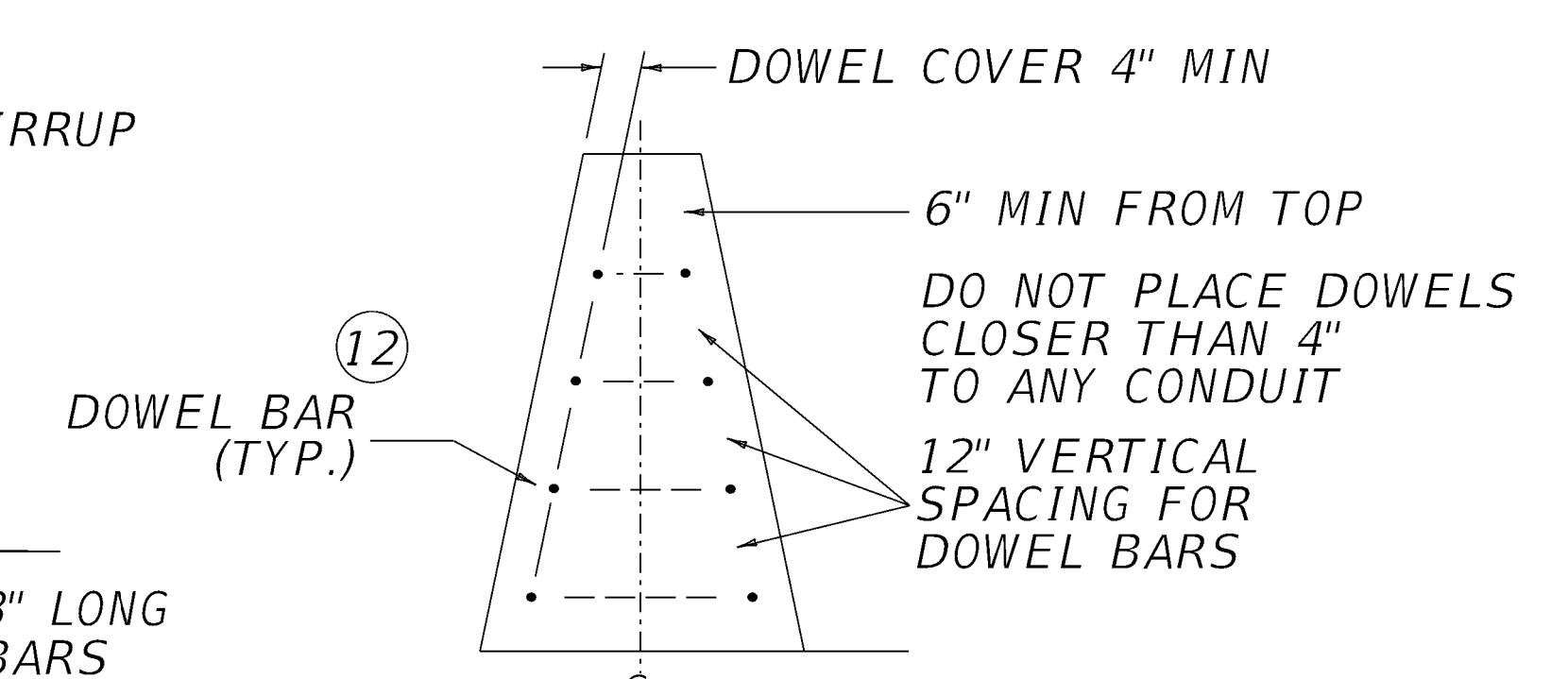


ELEVATION VIEW

END ANCHORAGE (11)

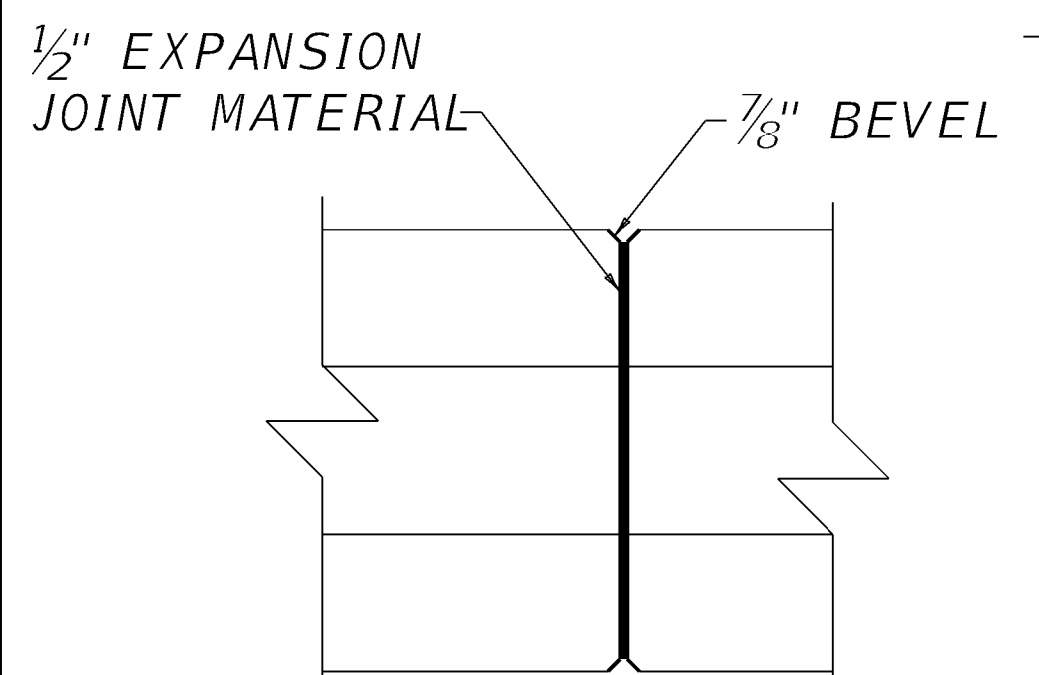


SECTION A-A



DOWEL BAR PLACEMENT

SECTION B-B CONSTRUCTION JOINT DOWEL BAR PLACEMENT



EXPANSION JOINT DETAIL

APPROXIMATE QUANTITIES PER LINEAR FOOT

TYPE	CONC.- CUYD	STEEL - LBS
A	0.28	▲ 1.34
B	0.22	1.34
C	0.28	▲ 1.34
D	0.22	0.67
E	0.22	1.34

CONCRETE QUANTITIES SHOWN INCLUDE 8" BASE THICKNESS FOR TYPE A AND C, BUT DO NOT INCLUDE QUANTITIES NECESSARY FOR ASPHALT OVERLAY THICKNESS SHOWN FOR TYPE D AND E.

▲ WHEN REQUIRED

~ NOTES ~
SEE CURRENT SHEET, SHEET 002, FOR ALL NOTES.
USE WITH CURRENT SHEET, SHEET 002.

SUBMITTED *W. J. Fayson* DIVISION DIRECTOR 07-23-2024 DATE