



CALL NO. 411

CONTRACT ID. 252920

ROWAN COUNTY

FED/STATE PROJECT NUMBER FE02 103 0519 B00063N

DESCRIPTION VARIOUS ROUTES IN ROWAN COUNTY - 2 LOCATIONS

WORK TYPE BRIDGE DECK RESTORATION & WATERPROOFING

PRIMARY COMPLETION DATE 11/15/2025

LETTING DATE: February 20,2025

Sealed Bids will be received electronically through the Bid Express bidding service until 10:00 AM EASTERN STANDARD TIME February 20,2025. Bids will be publicly announced at 10:00 AM EASTERN STANDARD TIME.

NO PLANS ASSOCIATED WITH THIS PROJECT.

REQUIRED BID PROPOSAL GUARANTY: Not less than 5% of the total bid.

TABLE OF CONTENTS

PART I	SCOPE OF WORK
	<ul style="list-style-type: none">• PROJECT(S), COMPLETION DATE(S), & LIQUIDATED DAMAGES• CONTRACT NOTES• STATE CONTRACT NOTES• SPECIAL NOTE(S) APPLICABLE TO PROJECT• BRIDGE DEMOLITION, RENOVATION AND ASBESTOS ABATEMENT• ASBESTOS ABATEMENT REPORT• MATERIAL SUMMARY• BRIDGE DRAWINGS
PART II	SPECIFICATIONS AND STANDARD DRAWINGS
	<ul style="list-style-type: none">• STANDARD AND SUPPLEMENTAL SPECIFICATIONS• STANDARD DRAWINGS THAT APPLY
PART III	EMPLOYMENT, WAGE AND RECORD REQUIREMENTS
	<ul style="list-style-type: none">• LABOR AND WAGE REQUIREMENTS• EXECUTIVE BRANCH CODE OF ETHICS• KENTUCKY EQUAL EMPLOYMENT OPPORTUNITY ACT OF 1978 LOCALITY / STATE• PROJECT WAGE RATES / STATE FUNDED
PART IV	BID ITEMS

PART I
SCOPE OF WORK

ADMINISTRATIVE DISTRICT - 09

CONTRACT ID - 252920

FE02 103 0519 B00063N

COUNTY - ROWAN

PCN - MB10305192502

FE02 103 0519 B00063N

KY HWY 519 (KY 519) BRIDGE 103B00063N OVER CAVE RUN LAKE AT MP 00.01, A DISTANCE OF 0.00 MILES. BRIDGE DECK RESTORATION & WATERPROOFING

GEOGRAPHIC COORDINATES LATITUDE 38:02:21.00 LONGITUDE 83:23:59.00

ADT

PCN - MB10312742501

FE02 103 1274 B00053N

PRETTY RIDGE ROAD (KY1274) BRIDGE 103B00053N OVER KY 1274 AT MP 00.04, A DISTANCE OF 0.00 MILES. BRIDGE DECK RESTORATION & WATERPROOFING

GEOGRAPHIC COORDINATES LATITUDE 38:01:51.00 LONGITUDE 83:26:38.00

ADT

COMPLETION DATE(S):

COMPLETED BY 11/15/2025

30 CALENDAR Days

30 CALENDAR Days

APPLIES TO ENTIRE CONTRACT (SEE SPECIAL NOTE)

APPLIES TO 103B00053N (SEE SPECIAL NOTE)

APPLIES TO 103B00063N (SEE SPECIAL NOTE)

CONTRACT NOTES

INSURANCE

Refer to Kentucky Standard Specifications for Road and Bridge Construction, current edition.

PROPOSAL ADDENDA

All addenda to this proposal must be applied when calculating bid and certified in the bid packet submitted to the Kentucky Department of Highways. Failure to use the correct and most recent addenda may result in the bid being rejected.

BID SUBMITTAL

Bidder must use the Department's electronic bidding software. The Bidder must download the bid file located on the Bid Express website (www.bidx.com) to prepare a bid packet for submission to the Department. The bidder must submit electronically using Bid Express.

JOINT VENTURE BIDDING

Joint venture bidding is permissible. All companies in the joint venture must be prequalified in one of the work types in the Qualifications for Bidders for the project. The bidders must get a vendor ID for the joint venture from the Division of Construction Procurement and register the joint venture as a bidder on the project. Also, the joint venture must obtain a digital ID from Bid Express to submit a bid. A joint bid bond of 5% may be submitted for both companies or each company may submit a separate bond of 5%.

UNDERGROUND FACILITY DAMAGE PROTECTION

The contractor shall make every effort to protect underground facilities from damage as prescribed in the Underground Facility Damage Protection Act of 1994, Kentucky Revised Statute KRS 367.4901 to 367.4917. It is the contractor's responsibility to determine and take steps necessary to be in compliance with federal and state damage prevention directives. When prescribed in said directives, the contractor shall submit Excavation Locate Requests to the Kentucky Contact Center (KY811) via web ticket entry. The submission of this request does not relieve the contractor from the responsibility of contacting non-member facility owners, whom shall be contacted through their individual Protection Notification Center. Non-compliance with these directives can result in the enforcement of penalties.

REGISTRATION WITH THE SECRETARY OF STATE BY A FOREIGN ENTITY

Pursuant to KRS 176.085(1)(b), an agency, department, office, or political subdivision of the Commonwealth of Kentucky shall not award a state contract to a person that is a foreign entity required by [KRS 14A.9-010](#) to obtain a certificate of authority to transact business in the Commonwealth ("certificate") from the Secretary of State under [KRS 14A.9-030](#) unless the person produces the certificate within fourteen (14) days of the bid or proposal opening. If the

foreign entity is not required to obtain a certificate as provided in [KRS 14A.9-010](#), the foreign entity should identify the applicable exception. Foreign entity is defined within [KRS 14A.1-070](#).

For all foreign entities required to obtain a certificate of authority to transact business in the Commonwealth, if a copy of the certificate is not received by the contracting agency within the time frame identified above, the foreign entity's solicitation response shall be deemed non-responsive or the awarded contract shall be cancelled.

Businesses can register with the Secretary of State at <https://secure.kentucky.gov/sos/ftbr/welcome.aspx>.

SPECIAL NOTE FOR PROJECT QUESTIONS DURING ADVERTISEMENT

Questions about projects during the advertisement should be submitted in writing to the Division of Construction Procurement. This may be done by email to kytc.projectquestions@ky.gov. The Department will attempt to answer all submitted questions. The Department reserves the right not to answer if the question is not pertinent or does not aid in clarifying the project intent.

The deadline for posting answers will be 3:00 pm Eastern Daylight Time, the day preceding the Letting. Questions may be submitted until this deadline with the understanding that the later a question is submitted, the less likely an answer will be able to be provided.

The questions and answers will be posted for each Letting under the heading "Questions & Answers" on the Construction Procurement website (www.transportation.ky.gov/construction-procurement). The answers provided shall be considered part of this Special Note and, in case of a discrepancy, will govern over all other bidding documents.

HARDWOOD REMOVAL RESTRICTIONS

The US Department of Agriculture has imposed a quarantine in Kentucky and several surrounding states, to prevent the spread of an invasive insect, the emerald ash borer. Hardwood cut in conjunction with the project may not be removed from the state. Chipping or burning on site is the preferred method of disposal.

INSTRUCTIONS FOR EXCESS MATERIAL SITES AND BORROW SITES

Identification of excess material sites and borrow sites shall be the responsibility of the Contractor. The Contractor shall be responsible for compliance with all applicable state and federal laws and may wish to consult with the US Fish and Wildlife Service to seek protection under Section 10 of the Endangered Species Act for these activities.

ACCESS TO RECORDS

The state agency certifies that it is in compliance with the provisions of KRS 45A.150, "Access to contractor's books, documents, papers, records, or other evidence directly pertinent to the contract." The Contractor, as defined in KRS 45A.030, agrees that the contracting agency, the

Finance and Administration Cabinet, the Auditor of Public Accounts, and the Legislative Research Commission, or their duly authorized representatives, shall have access to any books, documents, papers, records, or other evidence, which are directly pertinent to this agreement for the purpose of financial audit or program review. The Contractor also recognizes that any books, documents, papers, records, or other evidence, received during a financial audit or program review shall be subject to the Kentucky Open Records Act, KRS 61.870 to 61.884. Records and other prequalification information confidentially disclosed as part of the bid process shall not be deemed as directly pertinent to the agreement and shall be exempt from disclosure as provided in KRS 61.878(1)(c).

BOYCOTT PROVISIONS

If applicable, the contractor represents that, pursuant to [KRS 45A.607](#), they are not currently engaged in, and will not for the duration of the contract engage in, the boycott of a person or an entity based in or doing business with a jurisdiction with which Kentucky can enjoy open trade. **Note:** The term Boycott does not include actions taken for bona fide business or economic reasons, or actions specifically required by federal or state law.

If applicable, the contractor verifies that, pursuant to KRS 41.480, they do not engage in, and will not for the duration of the contract engage in, in energy company boycotts as defined by KRS 41.472.

LOBBYING PROHIBITIONS

The contractor represents that they, and any subcontractor performing work under the contract, have not violated the agency restrictions contained in [KRS 11A.236](#) during the previous ten (10) years, and pledges to abide by the restrictions set forth in such statute for the duration of the contract awarded.

The contractor further represents that, pursuant to [KRS 45A.328](#), they have not procured an original, subsequent, or similar contract while employing an executive agency lobbyist who was convicted of a crime related to the original, subsequent, or similar contract within five (5) years of the conviction of the lobbyist.

Revised: 1/1/2025

1.0 BUY AMERICA REQUIREMENT.

Follow the “Buy America” provisions as required by 23 U.S.C. § 313 and 23 C.F.R. § 635.410. Except as expressly provided herein all manufacturing processes of steel or iron materials including but not limited to structural steel, guardrail materials, corrugated steel, culvert pipe, structural plate, prestressing strands, and steel reinforcing bars shall occur in the United States of America, including the application of:

- Coating,
- Galvanizing,
- Painting, and
- Other coating that protects or enhances the value of steel or iron products.

The following are exempt, unless processed or refined to include substantial amounts of steel or iron material, and may be used regardless of source in the domestic manufacturing process for steel or iron material:

- Pig iron,
- Processed, pelletized, and reduced iron ore material, or
- Processed alloys.

The Contractor shall submit a certification stating that all manufacturing processes involved with the production of steel or iron materials occurred in the United States.

Produce, mill, fabricate, and manufacture in the United States of America all aluminum components of bridges, tunnels, and large sign support systems, for which either shop fabrication, shop inspection, or certified mill test reports are required as the basis of acceptance by the Department.

Use foreign materials only under the following conditions:

- 1) When the materials are not permanently incorporated into the project; or
- 2) When the delivered cost of such materials used does not exceed 0.1 percent of the total Contract amount or \$2,500.00, whichever is greater.

The Contractor shall submit to the Engineer the origin and value of any foreign material used.

2.0 – BUILD AMERICA, BUY AMERICA (BABA)

Contractor shall comply with the Federal Highway Administration (FHWA) Buy America Requirement in 23 C.F.R. § 635.410 and all relevant provisions of the Build America, Buy America Act (BABA), contained within the Infrastructure Investment and Jobs Act, Pub. L. No. 117-58, §§ 70901-52 enacted November 15, 2021. The BABA requires iron, steel, manufactured products, and construction materials used in infrastructure projects funded by federal financial assistance to be produced in the United States. Comply with 2 C.F.R § 184.

BABA permits FHWA participation in the Contract only if domestic steel and iron will be used on the Project. To be considered domestic, all steel and iron used, and all products manufactured from steel and iron must be produced in the United States and all manufacturing processes, including application of a coating, for these materials must occur in the United States. Coating includes all processes that protect or enhance the value of the material to which the coating is applied. This requirement does not preclude a minimal use of foreign steel and iron materials, provided the cost of such materials does not exceed 0.1% of the total contract amount under the Contract or \$2,500.00 whichever is greater.

BABA permits FHWA participation in the Contract only if all “construction materials” as defined in the Act are made in the United States. The Buy America preference applies to the following construction materials

SPECIAL NOTE – BUY AMERICA REQUIREMENTS AND BUILD
AMERICA, BUY AMERICA (BABA) ACT

10/26/2023

incorporated into infrastructure projects: non-ferrous metals; plastic and polymer-based products (including polyvinylchloride, composite building materials, and polymers used in fiber optic cables); glass (including optic glass); Fiber optic cable; optical fiber; lumber; engineered wood; and drywall. Contractor will be required to use construction materials produced in the United States on this Project. The Contractor shall submit a certification stating that all construction materials are certified to be BABA compliant.

Finally, BABA permits the continuation of FHWA's current general applicability waivers for manufactured products, raw materials, and ferryboat parts, but these waivers are subject to reevaluation, specifically the general applicability waiver for manufactured products.

The Contractor has completed and submitted, or shall complete and submit, to the Cabinet a Buy America/Build America, Buy America Certificate prior to the Cabinet issuing the notice to proceed, in the format below. After submittal, the Contractor is bound by its original certification.

A false certification is a criminal act in violation of 18 U.S.C. § 1001. The Contractor has the burden of proof to establish that it is in compliance.

At the Contractor's request, the Cabinet may, but is not obligated to, seek a waiver of Buy America requirements if grounds for the waiver exist under 23 C.F.R. § 635.410(c) or will comply with the applicable Buy America requirements if a waiver of those requirements is not available or not pursued by the Cabinet.

Please refer to the Federal Highway Administration's Buy America webpage for more information.

[Buy America - Construction Program Guide - Contract Administration - Construction - Federal Highway Administration \(dot.gov\)](#)

October 26, 2023 Letting

SPECIAL NOTE – BUY AMERICA REQUIREMENTS AND BUILD AMERICA, BUY AMERICA (BABA) ACT

10/26/2023

BUY AMERICA / BUILD AMERICA, BUY AMERICA (ACT) MATERIALS CERTIFICATE OF COMPLIANCE

The Contractor hereby certifies that it will comply with all relevant provisions of the Build America, Buy America Act, contained within the Infrastructure Investment and Jobs Act, Pub. L. NO. 117-58, §§ 70901-52, the requirements of 23 U.S.C. § 313, 23 C.F.R. § 635.410 and 2 C.F.R § 184.

Date Submitted: _____

Contractor: _____

Signature: _____

Printed Name: _____

Title: _____

NOTE: THIS CERTIFICATION IS IN ADDITION TO ANY AND ALL REQUIREMENTS OUTLINED IN THE CURRENT EDITION OF THE STANDARD SPECIFICATIONS FOR ROAD AND BRIDGE CONSTRUCTION AND/OR SPECIAL NOTES CONTAINED IN THE PROJECT PROPOSAL.

SPECIAL NOTE FOR RECIPROCAL PREFERENCE

RECIPROCAL PREFERENCE TO BE GIVEN BY PUBLIC AGENCIES TO RESIDENT BIDDERS

By reference, KRS 45A.490 to 45A.494 are incorporated herein and in compliance regarding the bidders residency. Bidders who want to claim resident bidder status should complete the Affidavit for Claiming Resident Bidder Status along with their bid in the electronic bidding software. Submittal of the Affidavit should be done along the bid in Bid Express.

April 30, 2018

**SPECIAL NOTES
DISTRICT NO. 9
ROWAN COUNTY
BRIDGE DECK RESTORATION AND WATERPROOFING
CID 252920 ~ 103GR25M017**

FE02 103 1274 B00053N 00.00

Rowan County ~ Ky. 1274 (Pretty Ridge Road.) over Licking River

Geographic Coordinates

Latitude 38° 01' 51.00'' (38.0308)

Longitude 083° 26' 38.00'' (-83.4439)

Description

150'-210'-210'-150' WSPG Spans Drawing No. 18361

FE02 103 0519 B00063N 00.01

Rowan County ~ KY. 519 (KY Hwy 519) over Cave Run Lake

Geographic Coordinates

Latitude 38° 02' 21.00'' (38.0391)

Longitude 83° 23' 59.00'' (-83.3998)

Description

100'-150'-100' WSPG Drawing No. 19386

**SPECIAL NOTES FOR BRIDGE DECK
RESTORATION AND WATERPROOFING**

SPECIAL NOTE FOR BRIDGE DECK RESTORATION AND WATERPROOFING
WITH CONCRETE OVERLAYS

SPECIAL NOTE FOR PREVENTIVE MAINTENANCE

SPECIAL NOTE FOR CONTRACT COMPLETION DATE AND PENALTIES ON
BRIDGE REPAIR CONTRACTS

SPECIAL NOTE FOR TRAFFIC CONTROL ON BRIDGE REPAIR CONTRACTS

SPECIAL NOTE FOR BRIDGE DECK RESTORATION AND WATERPROOFING WITH CONCRETE OVERLAYS

- 1. DESCRIPTION.** Perform all work in accordance with the Kentucky Transportation Cabinet, Department of Highway's Standard Specifications for Road and Bridge Construction and applicable Supplemental Specifications, the Standard Drawings (current editions), this Note, and the attached detail drawings. Section references are to the Standard Specifications. This work consists of the following: (1) Furnish all labor, materials, tools, and equipment, (2) Machine prep the existing slab, (3) Complete full-depth and partial depth repairs as directed by the Engineer, (4) Repair/replace damaged and corroded reinforcing bars, (5) Place new concrete overlay and epoxy-sand slurry in accordance with Section 606, (6) Complete asphalt approach pavement, and (7) Any other work specified as part of this contract. All construction will be in accordance with Section 606 unless otherwise specified.
- 2. MATERIALS.**

 - A. Latex Concrete.** See Section 606.03.17.
 - B. Class "M" Concrete.** Use either "M1" or "M2". See Section 601.
 - C. Bituminous Asphalt.** Use CL2 ASPH SURF 0.38D PG64-22.
 - D. Epoxy-Sand Slurry.** See Section 606.03.10.
- 3. CONSTRUCTION.**

 - A. Remove Existing Overlay.** In addition to Section 606.03.03, totally remove the existing concrete overlay by milling.
 - B. Partial Depth Slab Repair and Latex Overlay.** Remove areas determined to be unsound by the Engineer via hydro-demolition or via handheld jackhammers weighing less than 45lbs in accordance with Section 606.02.10 D. Repair/Replace all damaged or severely corroded reinforcing bars prior to partial depth repair operation. The Department will not measure material removal and will consider this work incidental to the bid item "PARTIAL DEPTH PATCHING". Mix and place Latex Modified Concrete Overlay in accordance with Sections 606.03.08 and 606.03.17.
 - C. Asphalt Approach Pavement.** Mill each existing asphalt approach to the distance indicated in the attached detailed drawings. Remove the bituminous material uniformly by making an edge key, so as to provide a smooth transition to the finished bridge when a new bituminous overlay of compacted depth of approximately 1½" is added to the approaches. The grinding depth may vary depending on the condition of the existing approach and final elevation of bridge end. Dispose of all removed material away from the site.
 - D. Surface Texturing.** Texture the concrete surface of the overlay in accordance with Section 609.03.10.
 - E. Pavement Markings.** Restore pavement markings to original patterns and/or as directed by the Engineer in accordance with Sections 713, 714 and 837. See Standard Drawings TPM-115 and TPM-207 Current Edition.
 - F. Verifying Field Conditions.** The Contractor shall field verify all dimensions before ordering any material. New material that is unsuitable due to variation in existing structure shall be replaced at the Contractors expense.

- G. Damage to the Structure.** The Contractor shall bear all responsibility and expense for all damage to the structure during the repair work even to removal and replacement of a fallen span, should the fallen span result from the Contractor's actions.
4. **MEASUREMENT.** See Section 606 and the following:
- A. **Latex Modified Concrete for Overlay.** The Department will measure the quantity in cubic yards using the theoretical volume as follows for each bridge:
103B00053N (725'2" x 26' x 1.5") = 87.3 CY
103B00063N (356.2" x 26' x 1.5") = 42.9 CY
 - B. **Remove Epoxy Bit Foreign Overlay, Blast Cleaning, Epoxy Sand Slurry and Bridge Overlay Approach Pavement.** The Department will measure the removal of the existing overlay in square yards.
 - C. **Partial Depth Patching.** The Department will measure the quantity in cubic yards by deducting the theoretical volume of bridge deck overlay (LMC) from the total volume (as indicated by the batch quantity tickets) of Concrete required to obtain the finished grade shown on the plans or established by the Engineer.
 - D. **Concrete Class M Full Depth Patch and Concrete Latex Overlay.** The Department will measure the quantity in cubic yards.
 - E. **Steel Reinforcement.** The Department will measure any reinforcing steel necessary for the partial or full depth patch in pounds.
 - F. **Pave Striping-Perm 4 Inch.** The Department will measure the quantity in lineal feet.
5. **PAYMENT.** See Section 606 and the following:
- A. **Remove Epoxy Bit Foreign Overlay (08510).** The Department will make payment for the removal of the existing overlay.
 - B. **Partial Depth Patching (24094EC).** The Department will make payment for removing existing materials, furnishing, and placing all new materials completed and accepted.
 - C. **Concrete Class M Full Depth Patch (08526).** The Department will make payment for removing existing materials, furnishing, and placing all new materials.
 - D. **Blast Cleaning (08549).** The Department will make payment for blast cleaning all surfaces specified.
 - E. **Epoxy Sand Slurry (08504).** The Department will make payment for furnishing and placing all new materials as specified.
 - F. **Concrete Latex Overlay (08534).** The Department will make payment for furnishing and placing all new material as specified.
 - G. **Steel Reinforcement (08150).** The Department will make payment for steel reinforcement, if necessary.
 - H. **Asphalt Approach Pavement (03304).** The Department will make payment for removing existing materials, furnishing, and placing all new materials as specified.
 - I. **Pave Striping-Perm 4 Inch (06514).** The Department will make payment for furnishing and placing permanent striping as specified.

SPECIAL NOTE FOR PREVENTIVE MAINTENANCE

1. DESCRIPTION.

Perform all work in accordance with the Kentucky Transportation Cabinet, Department of Highway's Standard Specifications for Road and Bridge Construction and applicable Supplemental Specifications, the Standard Drawings, (current editions), this Note and Attached Detailed Drawings. Section references are to the Standard Specifications. This work consists of the following: (1) Furnish all labor, materials, tools, and equipment, (2) Bridge Cleaning, (3) Concrete Coatings (4) Bearing Lubrication (5) Any other work specified as part of this contract.

2. MATERIALS.

A. Wash Water

Use clean potable water for all pressure washing.

B. Concrete Coatings

See The Division of Material's list of approved materials for concrete coatings and Section 821.

C. Rust Inhibitor

Use the follow rust inhibitor or approve equivalent:

Manufacture	Lubricant
Rhomar,	Black Max

D. Bearing Lubricant

Use one of the lubricants from the following manufactures:

Manufacture	Lubricant
Bostik Inc.,	Never Seez - Mariner's Choice
Mobil Oil	Mobil Centaur Moly NLGI Grades 1 or 2
Certified Labs	Premalube #1 WG

3. CONSTRUCTION.

A. Bridge Cleaning.

All debris shall be removed from the bridge components. See attached detailed drawings addressing components having debris removal. Equipment for removing debris from the bridge components shall be determined by the Contractor, subject to the approval of the Engineer. The Contractor shall prevent any debris from entering any body of water, bridge drainage system, or traffic lanes. All debris removed shall be disposed of in a suitable off-site disposal facility. Prior to all cleaning work, the Contractor shall confirm that any bridge drainage system is not blocked by un-removable debris. A blocked drainage system is considered to be one from which debris cannot be removed using the means specified in this note. If the Engineer has been notified and concurs that the drainage system is blocked prior to performing other cleaning work, then proceed at the direction of the engineer. If the Contractor does not inspect the bridge drainage system and notify the engineer prior to beginning work any blocked drains will be considered to be the result of the Contractor's operations, and all clearing and cleaning of the drainage system shall be done as part of the work of the specification. All vegetation present at areas of the bridge that are to be addressed in this proposal shall be removed as determined by the Engineer.

All cost to complete Debris Removal, Clean Deck Drains and Remove Vegetation shall as specified shall be included in the Lump Sum price for “Bridge Cleaning”.

B. Stratified and Pack Rust Removal.

Stratified and pack rust shall be removed from all bearing devices and specified limits of beams. All existing bearing lubrication shall be removed. See attached detailed drawings for each bridge showing location and quantity of the bearing devices. Hand tools including wire brushes, scrapers or impact devices (hand hammers or power chisels) are to be used for removing stratified and pack rust. All surfaces to have stratified and pack rust removed shall be cleaned to an SSPC SP-2 level. All debris collected shall be disposed of in a suitable off-site disposal facility. **All cost to complete Stratified, Pack Rust Removal and removal of existing bearing lubricant shall be considered incidental to the unit price bid for “Lubricate Bearing”.**

C. Pressure Washing.

Specified bridge components shall be pressure washed. See attached detailed drawings addressing components to be pressure washed. All equipment for pressure washing shall be operated at a minimum pressure of up 4,000 psi with 0-degree spinner tip and/or fan tips as determined by the engineer at the working location with a minimum flow rate of 3.5 gal/minute provided that these pressures do not damage any components of the structure. Pressure and flow rates shall be reduced to a level satisfactory to the Engineer should any damage occur due to power washing procedures. Pressure washing shall be operated at distance of approximately six inches from and perpendicular to the surface. All pressure washing wands shall be equipped with a gauge to accurately determine the amount pressure used. Pressure washing of any bridge element will proceed from top of wash area to bottom of wash area. Wash water will not be released to a bridge element previously washed. Perform all pressure washing at temperatures above 40 degrees Fahrenheit. **All cost to complete Pressure Washing as specified shall be included in the Lump Sum price for Lump Sum price for “Bridge Cleaning”.**

D. Concrete Coatings Application (103B00063N only)

Specified bridge components shall have concrete coating applied to as specified after bridge cleaning. See attached detailed drawings for addressing the bridge components. Use compressed air to remove any loose debris from the surfaces that are to be coated after power washing. See concrete coating diagram. All coatings shall be applied within manufacturers recommended dry film thickness range. For recommended conditions for application, see Section 614.03.02 and coatings supplier specifications. Allow the surfaces to be coated to dry before any coating is applied. The coating must be applied to a clean and dry surface. All coating application shall be executed using brushes, rollers, etc. No spray application will be permitted. The Department requires acceptance testing of samples obtained on a per-lot basis per-shipment. The Division of Materials will perform acceptance testing. See Section 821.04. The finish coat shall be Light Gray for Concrete. See Section 821.02. **All cost to complete Concrete Coating Application as specified shall be included in the Lump Sum price for “Concrete Coatings”.**

E. Rust Inhibitor Application.

After all stratified rust is removed from the member surface. The specified rust inhibitor shall be applied to the rusted areas of the structural steel within 4 feet of the joint or centerline of pier. This includes all primary steel members (beams, stringers, floor beams, diaphragms, etc.) in the specified limits. **All cost to complete Rust Inhibitor Application as specified shall be included in the unit price Each for “Bearing Lubrication”.**

F. Bearing Lubrication Application.

Bearing devices shall be lubricated as specified after all stratified rust and pack rust is removed and power washing is complete, bearing devices shall have lubricant applied to all surfaces of the bearing including bearing plates and points of movement. See attached detailed drawings for each bridge showing location and quantity of the bearing devices. Allow bearing devices to dry before lubricant is applied. Perform all bearing lubrication application at temperatures above 40 degrees Fahrenheit or in accordance with manufactures specifications. **All cost to complete Bearing Lubrication Application as specified shall be included in the unit price Each for “Lubricate Bearing”**

G. Sequence of Work.

Complete work in the sequence listed below:

1. Debris Removal
2. Stratified Rust Removal
3. Pressure Washing
4. Concrete Coating Application
5. Rust Inhibitor Application
6. Bearing Lubrication Application

H. Inspection.

The Cabinet will provide inspection for all items required in this contract. Visual inspection will be required upon completion of each work item for each structure component or at the discretion of the Engineer at any time. All visual inspection shall be performed within arm’s length distance.

- 1. Debris Removal:** Visual Inspection.
- 2. Stratified Rust or Pack Rust Removal:** Visual Inspection and Scraper
Test any surface cleaned to SSPC SP2 will be inspected by a dull scraper test to ascertain adherence of existing coating and a hammer test for tightness of pack rust.
- 3. Pressure Washing:** Visual Inspection.
- 4. Concrete Coating:**
Prime Coat Application Check for wet film thickness*, and defects in the Paint.
Finish Coat Application Check for wet film thickness*, paint appearance, color and quality of application.
- 5. Rust Inhibitor Application:** Visual Inspection. (054B00165N only)
- 6. Bearing Lubrication.** Visual Inspection. (054B00165N only)

I. Verifying Field Conditions.

The Contractor shall be familiar with all conditions at each bridge site. The Cabinet will not consider any claims due to the Contractor having not familiarized themselves with requirements of this work.

J. Residual Lead.

Residual lead paint may still be on bridge. The Contractor is advised to take all necessary protective measures including worker safety and environmental regulations when performing surface preparation. The Department will not consider any claims based on residual lead paint.

K. Damage to the structure.

The Contractor shall bear all responsibility and expense for any and all damage to the structure during the repair work, even to the removal and replacement of a fallen span, should the fallen span result from the Contractors actions.

4. MEASUREMENT.

A. Bridge Cleaning.

The Cabinet will measure this item by Lump Sum, completed and accepted.

B. Concrete Coating.

The Cabinet will measure this item by Lump Sum, completed and accepted.

C. Bearing Lubrication:

The Cabinet will measure this item by Each, completed and accepted.

5. PAYMENT.

A. Bridge Cleaning (24981EC).

Payment at the contract unit price for “Lump Sum” is full compensation for Debris Removal, Deck Drain Cleaning, Pressure Washing and all incidental items required to complete this with as specified in this note and attached detailed drawings.

B. Concrete Coating (24982EC).

Payment at the contract unit price for “Lump Sum” is full compensation for applying the concrete coatings and all incidental items required to complete this work as specified in this note and attached detailed drawings.

C. Bearing Lubrication (24983EC): Payment at the contract unit price “Each” is full compensation for applying bearing lubrication and all incidental items required to complete this work as specified in this note and attached detailed drawings.

**SPECIAL NOTE FOR CONTRACT COMPLETION DATE AND
PENALTIES ON BRIDGE REPAIR CONTRACTS**

- 1. COMPLETION DATE.** The Contractor has the option of selecting the starting date for this Contract. Once selected, notify the Department in writing of the date selected at least two weeks prior to beginning work. All work is to be completed by the date listed below. An allotted number of Calendar days are assigned to each structure in this contract as shown below.

<u>STRUCTURE</u>	<u>NO. OF CALENDAR DAYS</u>	<u>COMPLETION DATE</u>
103B00053N	30	November 15, 2025
103B00063N	30	November 15, 2025

Contrary to Section 108.07.03, the Engineer will begin charging calendar days for a structure on the day the Contractor starts work or sets up traffic control on that particular structure. A **penalty of \$500.00 per day** will be assessed when the allotted number of calendar days is exceeded for each structure.

All construction must be completed in accordance with the weather limitations specified in Section 606 and/or Section 601 as applicable. No extension of Contract time will be granted due to inclement weather or temperature limitations that occur due to starting work on the Contract or a structure late in the construction season.

SPECIAL NOTE FOR TRAFFIC CONTROL ON BRIDGE REPAIR CONTRACTS

1. TRAFFIC CONTROL GENERAL

Except as provided herein, traffic shall be maintained in accordance with the Standard Specifications (current edition), Section 112. Except for the roadway and traffic control bid items listed, all items of work necessary to maintain and control traffic will be paid at the lump sum bid price to "Maintain and Control Traffic". Contrary to Section 106.01, traffic control devices used on this project may be new or used in new condition, at the beginning of the work and maintained in like new condition until completion of the work.

2. TRAFFIC COORDINATOR

Furnish a Traffic Coordinator as per Section 112. The Traffic Coordinator shall inspect the project maintenance of traffic, at least three times daily, or as directed by the Engineer, during the Contractor's operations and at any time a lane closure is in place. The personnel shall have access on the project to a radio or telephone to be used in case of emergencies or accidents. The Traffic Coordinator shall report all incidents throughout the work zone to the Engineer on the project. The Contractor shall furnish the name and telephone number where the Traffic Coordinator can be contacted at all times.

3. SIGNS

Contrary to Section 112.04.02, only long-term signs (sign intended to be continuously in place for more than 3 days) will be measured for payment; short term signs (signs intended to be left in place for 3 days or less) will not be measured for payment but will be incidental to Maintain and Control Traffic.

The contractor is to install warning signs for wide loads in advance of the bridge under the direction of the Engineer. The Department will not measure installation, maintenance, or removal for payment, and will consider these incidentals to Maintain and Control Traffic.

4. TEMPORARY PAVEMENT STRIPING

Skip lines and/or solid lines through the length of the tapers for lane closures and other striping as directed by the Engineer shall be temporarily covered with 6" black removable tape. Permanent removal of all other pavement striping for traffic control shall be considered incidental to Maintain and Control Traffic. Temporary pavement striping shall be paid only once per course in accordance with Section 112.04.07. The Contractor shall replace any temporary striping that becomes damaged or fails to adhere to the pavement before dark on the day of the notification. **A penalty of \$500.00 per day will be assessed for failing to replace temporary striping within this time limit.**

5. PROJECT PHASING & CONSTRUCTION PROCEDURES

Maintain one lane of traffic on each bridge at all times in accordance with Standard Drawing Nos. TTC-100 and TTC-110. The minimum clear lane width required is as follows:

<u>Structure</u>	<u>Clear Lane Width</u>
103B00053N	11'-0"
103B00063N	11'-0"

6. TEMPORARY SIGNAL.

Provide, install, and maintain a temporary traffic signal as specified below. The Contractor must provide a 24-hour contact person and number available to maintain the temporary signals as needed.

<u>Structure</u>	<u>Signal</u>
103B00053N	2 Phase
103B00063N	2 Phase

7. PORTABLE CHANGEABLE MESSAGE SIGN – 103B00063N.

Provide, install, and maintain four (4) portable changeable message boards two (2) each direction as directed by the Engineer. The Contractor must provide a 24-hour contact person and number available to maintain the portable changeable message sign as needed.

8. MEASUREMENT.

Temporary Signs:

The Cabinet will measure this item by “Square Feet”.

Maintain and Control Traffic:

The Cabinet will measure this item by “Lump Sum”.

Portable Changeable Message Sign, Lane Closure, and Temp Signal 2 Phase:

The Cabinet will measure this item by “Each”.

Pave Striping-Temp Rem Tape-B, W, and Y:

The Department will measure the quantity in “Linear Feet”.

9. PAYMENT.

Temporary Signs (02562):

Payment at the contract unit price for “Square Feet” is full compensation for all items to complete this work as specified.

Maintain and Control Traffic (02650):

Payment at the contract unit price for “Lump Sum” is full compensation for all items to complete this work as specified.

Portable Changeable Message Sign (02671), Lane Closure (02653) and Temp Signal 2 Phase (04933):

Payment at the contract unit price “Each” is full compensation for all items to complete this work as specified.

Pave Striping-Temp Rem Tape-B (06549), W (06550), and Y (06551):

Payment at the contract unit price “Lineal Feet” is full compensation for all items to complete this work as specified.

Special Note for Bridge Demolition, Renovation and Asbestos Abatement

If the project includes any bridge demolition or renovation, the successful bidder is required to notify Kentucky Division for Air Quality (KDAQ) via filing of form (DEP 7036) a minimum of 10 working days prior to commencement of any bridge demolition or renovation work.

Any available information regarding possible asbestos containing materials (ACM) on or within bridges to be affected by the project has been included in the bid documents. These are to be included with the Contractor's notification filed with the KDAQ. If not included in the bid documents, the Department will provide that information to the successful bidder for inclusion in the KDAQ notice as soon as possible. If there are no documents stating otherwise, the bidders should assume there are no asbestos containing materials that will in any way affect the work.



Andy Beshear
GOVERNOR

TRANSPORTATION CABINET

200 Mero Street
Frankfort, Kentucky 406 01

Jim Gray
SECRETARY

Asbestos Inspection Survey

To: Brad Poole

District: Central Office

Date: December 8, 2024

Conducted By: O'Dail Lawson

Report Prepared By: O'Dail Lawson

Project and Structure Identification

Project Number: CID 252920

Structure ID: Rowan 103B00053N

Structure Location: KY 1274 (Pretty Ridge Road) over Licking River

Sample Description: Any suspect materials collected were negative for asbestos.

Inspection Date: December 3, 2023

Results and Recommendations

The results of the samples collected were negative for the presence of asbestos above 1%.
No abatement is required at this time.

It is recommended that this report accompany the 10-Day Notice of Intent for Demolition ([Notification Form DEP 7036](#)) which is to be submitted to the Kentucky Division of Air Quality prior to abatement, demolition, or renovation of any building or structure in the Commonwealth.



Andy Beshear
GOVERNOR

TRANSPORTATION CABINET

200 Mero Street
Frankfort, Kentucky 406 01

Jim Gray
SECRETARY

Asbestos Inspection Survey

To: Brad Poole

District: Central Office

Date: December 8, 2024

Conducted By: O'Dail Lawson

Report Prepared By: O'Dail Lawson

Project and Structure Identification

Project Number: CID 252920

Structure ID: Rowan 103B00063N

Structure Location: KY 519 (North Craney Creek) over Cave Run Lake

Sample Description: Any suspect materials collected were negative for asbestos.

Inspection Date: December 3, 2023

Results and Recommendations

The results of the samples collected were negative for the presence of asbestos above 1%.
No abatement is required at this time.

It is recommended that this report accompany the 10-Day Notice of Intent for Demolition ([Notification Form DEP 7036](#)) which is to be submitted to the Kentucky Division of Air Quality prior to abatement, demolition, or renovation of any building or structure in the Commonwealth.

ENVIRONMENTAL TRAINING CONCEPTS, INC
P. O. Box 99603 Louisville, KY 40269
(502)640-2951

Certification Number: ETC-AIR-031324-00278

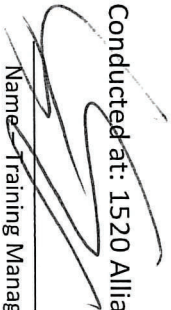
O'Dail Lawson

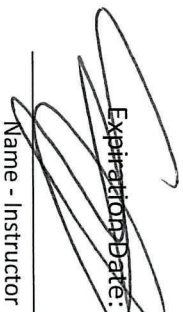
has on 03-13-2024 attended and successfully completed the requirements and passed the examination with a score of 70% or better on the entitled course.

ASBESTOS INSPECTOR REFRESHER

Training was in accordance with 40 CFR Part 763 (AHERA) approved by the Commonwealth of Kentucky, the Indiana Department of Environmental Management, Tennessee Department of Environment & Conservation and The Arkansas Department of Environmental Quality. The above student received requisite training for Asbestos Accreditation under Title II of the Toxic Substance Act (TSCA).

Conducted at: 1520 Alliant Ave., Louisville, KY


Name - Training Manager


Expiration Date: 03-13-2025
Name - Instructor

MATERIAL SUMMARY

CONTRACT ID: 252920

FE02 103 0519 B00063N

MB10305192502

KY HWY 519 (KY 519) BRIDGE 103B00063N OVER CAVE RUN LAKE AT MP 00.01 BRIDGE DECK RESTORATION & WATERPROOFING, A DISTANCE OF 0 MILES.

Project Line No	Bid Code	DESCRIPTION	Quantity	Unit
0110	02562	TEMPORARY SIGNS	100.00	SQFT
0115	02650	MAINTAIN & CONTROL TRAFFIC - - APPLIES TO 103B00063N	1.00	LS
0120	02653	LANE CLOSURE	2.00	EACH
0125	02671	PORTABLE CHANGEABLE MESSAGE SIGN	4.00	EACH
0130	03298	EXPAN JOINT REPLACE 4 IN	60.00	LF
0135	03299	ARMORED EDGE FOR CONCRETE	60.00	LF
0140	03304	BRIDGE OVERLAY APPROACH PAVEMENT	289.00	SQYD
0145	04933	TEMP SIGNAL 2 PHASE	1.00	EACH
0150	06514	PAVE STRIPING-PERM PAINT-4 IN	1,828.00	LF
0155	06549	PAVE STRIPING-TEMP REM TAPE-B	1,000.00	LF
0160	06550	PAVE STRIPING-TEMP REM TAPE-W	2,000.00	LF
0165	06551	PAVE STRIPING-TEMP REM TAPE-Y	2,000.00	LF
0170	08150	STEEL REINFORCEMENT	270.00	LB
0175	08504	EPOXY SAND SLURRY	205.00	SQYD
0180	08510	REM EPOXY BIT FOREIGN OVERLAY	1,030.00	SQYD
0185	08526	CONC CLASS M FULL DEPTH PATCH	10.00	CUYD
0190	08534	CONCRETE OVERLAY-LATEX	42.90	CUYD
0195	08549	BLAST CLEANING	1,234.00	SQYD
0200	24094EC	PARTIAL DEPTH PATCHING	31.00	CUYD
0205	24981EC	BRIDGE CLEANING - - APPLIES TO 103B00063N	1.00	LS
0210	24982EC	CONCRETE COATING - - APPLIES TO 103B00063N	1.00	LS
0215	24983EC	BEARING LUBRICATION	8.00	EACH
0220	02569	DEMOBILIZATION	1.00	LS

MATERIAL SUMMARY

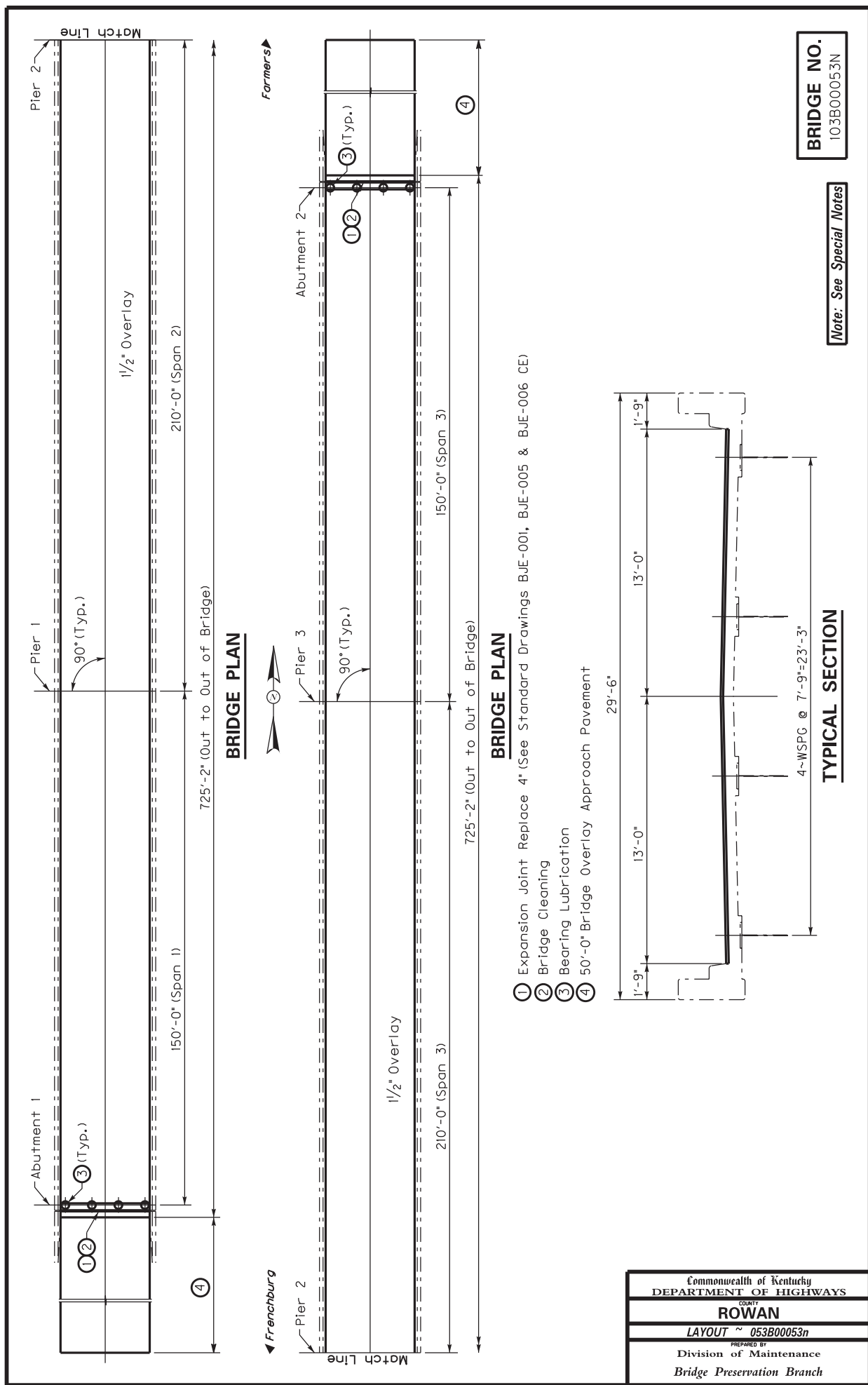
CONTRACT ID: 252920

FE02 103 0519 B00063N

MB10312742501

PRETTY RIDGE ROAD (KY1274) BRIDGE 103B00053N OVER KY 1274 AT MP 00.04 BRIDGE DECK RESTORATION & WATERPROOFING, A DISTANCE OF 0 MILES.

Project Line No	Bid Code	DESCRIPTION	Quantity	Unit
0005	02562	TEMPORARY SIGNS	100.00	SQFT
0010	02650	MAINTAIN & CONTROL TRAFFIC - - APPLIES TO 103B00053N	1.00	LS
0015	02653	LANE CLOSURE	2.00	EACH
0020	03298	EXPAN JOINT REPLACE 4 IN	52.00	LF
0025	03299	ARMORED EDGE FOR CONCRETE	52.00	LF
0030	03304	BRIDGE OVERLAY APPROACH PAVEMENT	289.00	SQYD
0035	04933	TEMP SIGNAL 2 PHASE	1.00	EACH
0040	06514	PAVE STRIPING-PERM PAINT-4 IN	2,888.00	LF
0045	06549	PAVE STRIPING-TEMP REM TAPE-B	1,000.00	LF
0050	06550	PAVE STRIPING-TEMP REM TAPE-W	2,000.00	LF
0055	06551	PAVE STRIPING-TEMP REM TAPE-Y	2,000.00	LF
0060	08150	STEEL REINFORCEMENT	270.00	LB
0065	08504	EPOXY SAND SLURRY	415.00	SQYD
0070	08510	REM EPOXY BIT FOREIGN OVERLAY	2,096.00	SQYD
0075	08526	CONC CLASS M FULL DEPTH PATCH	21.00	CUYD
0080	08534	CONCRETE OVERLAY-LATEX	87.30	CUYD
0085	08549	BLAST CLEANING	2,512.00	SQYD
0090	24094EC	PARTIAL DEPTH PATCHING	65.00	CUYD
0095	24981EC	BRIDGE CLEANING - - APPLIES TO 103B00053N	1.00	LS
0100	24983EC	BEARING LUBRICATION	8.00	EACH
0105	02569	DEMOBILIZATION	1.00	LS



- ① Expansion Joint Replace 4" (See Standard Drawings BJE-001, BJE-005 & BJE-006 CE)
- ② Bridge Cleaning
- ③ Bearing Lubrication
- ④ 50'-0" Bridge Overlay Approach Pavement

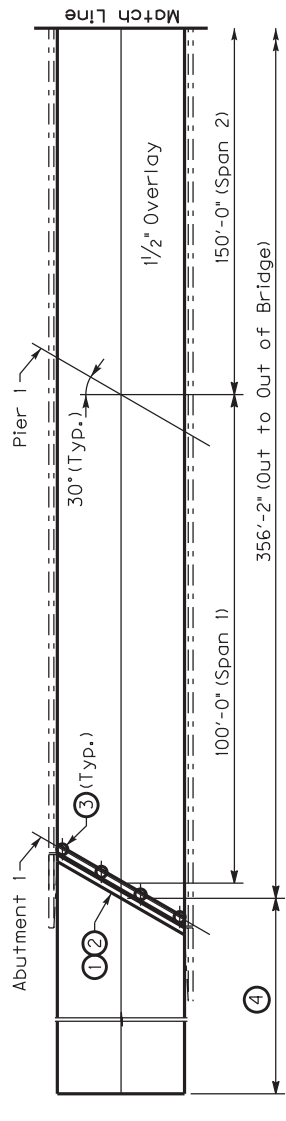
BRIDGE NO.
103B00053N

Note: See Special Notes

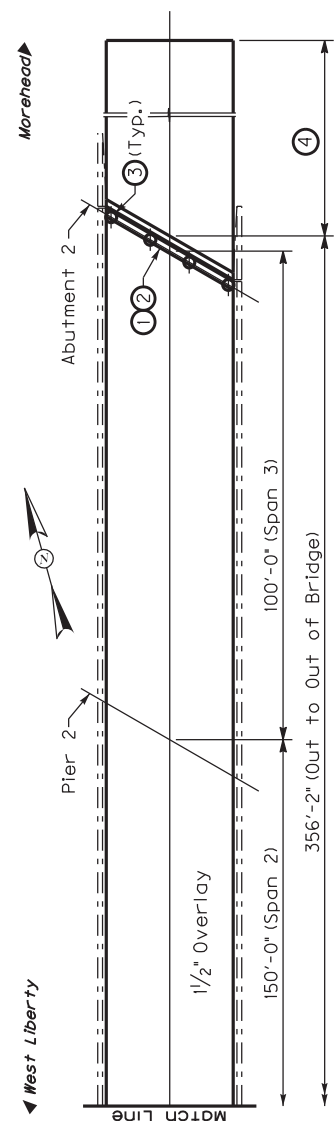
Commonwealth of Kentucky DEPARTMENT OF HIGHWAYS
COUNTY ROWAN
LAYOUT ~ 053B00053n
PREPARED BY Division of Maintenance Bridge Preservation Branch

BRIDGE NO.
 103B00063N

Note: See Special Notes

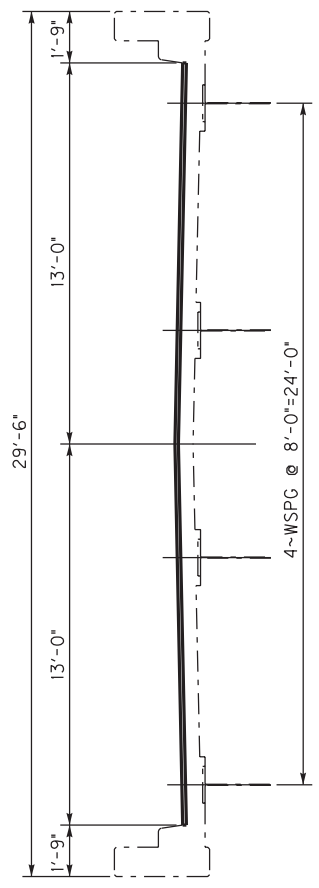


BRIDGE PLAN



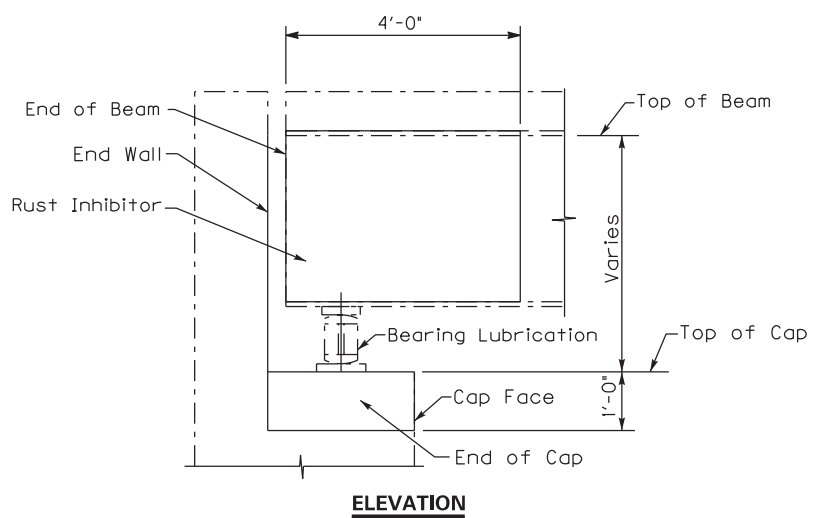
BRIDGE PLAN

- ① Expansion Joint Replace 4" (See Standard Drawings BUE-001, BUE-005 & BUE-006 CE)
- ② Bridge Cleaning
- ③ Bearing Lubrication
- ④ 50'-0" Bridge Overlay Approach Pavement



TYPICAL SECTION

Commonwealth of Kentucky DEPARTMENT OF HIGHWAYS
COUNTY ROWAN
LAYOUT ~ 053B00063n
PREPARED BY Division of Maintenance Bridge Preservation Branch



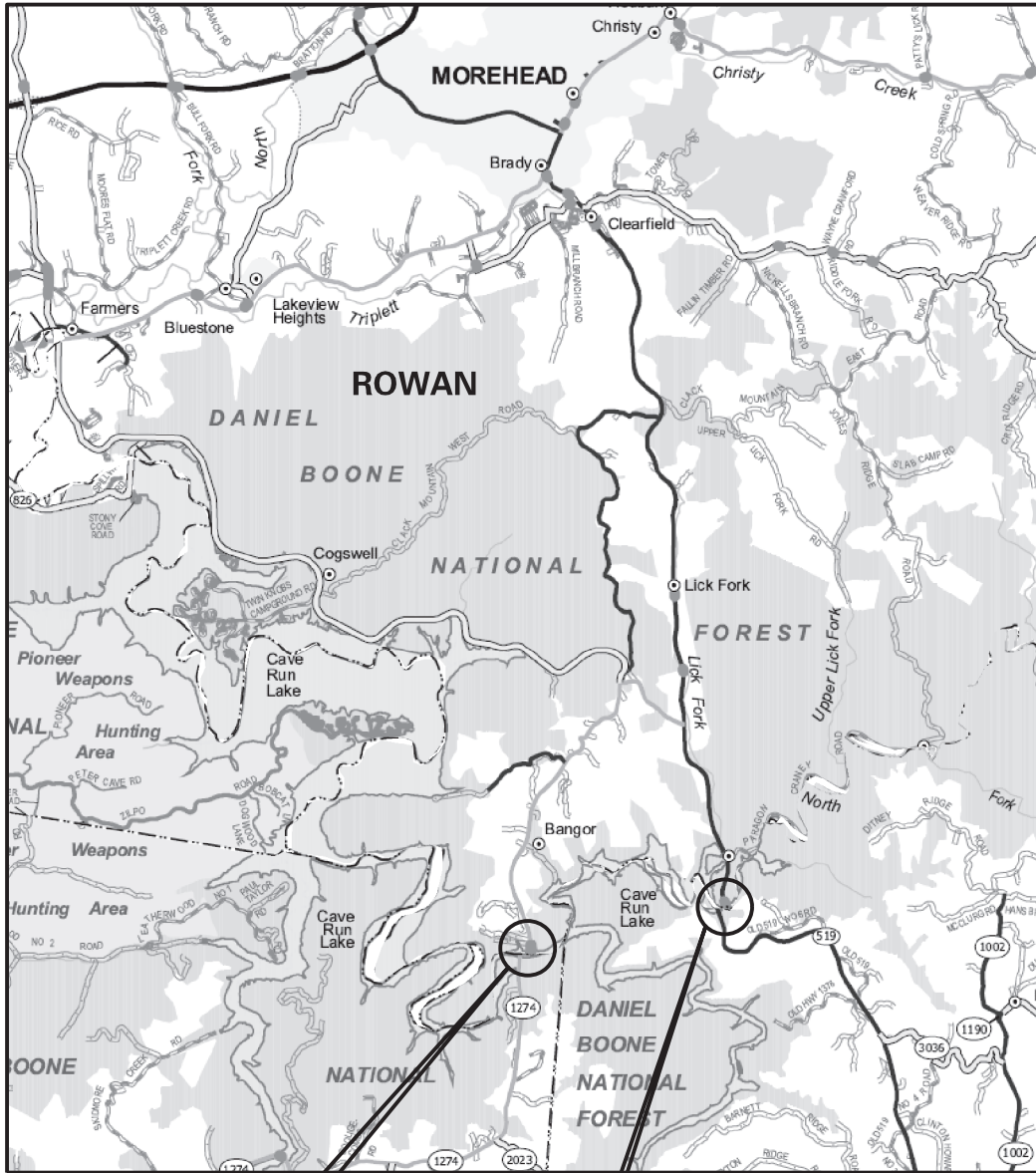
PREVENTIVE MAINTENANCE

Note: Top and face of cap the entire length including cap ends and front face of end bent back wall shall be cleaned and have concrete coating applied as specified within the limits shown. Apply rust inhibitor to beams and lubricate bearings as specified.

BRIDGE NO.
103B00053N
103B00063N

Note: See Special Notes

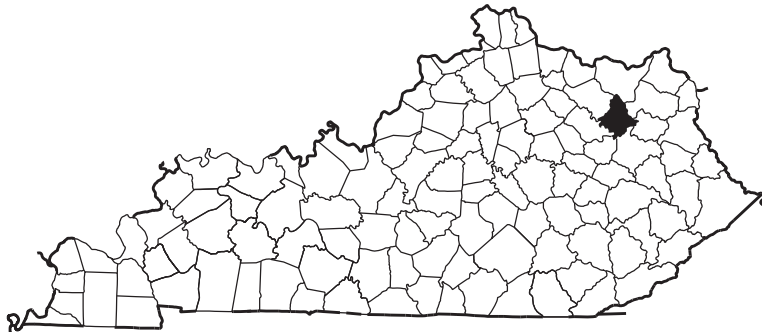
Commonwealth of Kentucky
DEPARTMENT OF HIGHWAYS
COUNTY
ROWAN
PREVENTIVE MAINTENANCE
PREPARED BY
Division of Maintenance
Bridge Preservation Branch



103B00053N
KY 1274 over Licking River

103B00063N
KY 519 over Cave Run Lake

LOCATION MAP ~ ROWAN COUNTY



Commonwealth of Kentucky DEPARTMENT OF HIGHWAYS
COUNTY ROWAN
LOCATION MAP
PREPARED BY Division of Maintenance Bridge Preservation Branch

PART II
SPECIFICATIONS AND STANDARD DRAWINGS

STANDARD SPECIFICATIONS

Any reference in the plans or proposal to previous editions of the *Standard Specifications for Road and Bridge Construction* and *Standard Drawings* are superseded by *Standard Specifications for Road and Bridge Construction, Edition of 2019* and *Standard Drawings, Edition of 2020*.

SUPPLEMENTAL SPECIFICATIONS

The contractor shall use the Supplemental Specifications that are effective at the time of letting. The Supplemental Specifications can be found at the following link:
<http://transportation.ky.gov/Construction/Pages/Kentucky-Standard-Specifications.aspx>

**SPECIAL NOTES
DISTRICT NO. 9
ROWAN COUNTY
BRIDGE DECK RESTORATION AND WATERPROOFING
CID 252920 ~ 103GR25M017**

**TRAFFIC
~ *TEMPORARY* ~
TRAFFIC CONTROL**

LANE CLOSURE TWO LANE HIGHWAY
LANE CLOSURE USING TRAFFIC SIGNALS

TTC-100 C.E.
TTC-110 C.E.

**BRIDGES
STANDARDS**

BRIDGE RESTORATION AND WATERPROOFING
WITH CONCRETE OVERLAYS
AMORED EDGES
EXPANSION JOINT REPLACEMENT GENERAL NOTES
EXPANSION JOINT REPLACEMENT 4" & 5"

BGX-009 C.E.
BJE-001 C.E.
BJE-005 C.E.
BJE-003 C.E.

PART III

EMPLOYMENT, WAGE AND RECORD REQUIREMENTS

**TRANSPORTATION CABINET
DEPARTMENT OF HIGHWAYS**

**LABOR AND WAGE REQUIREMENTS
APPLICABLE TO OTHER THAN FEDERAL-AID SYSTEM PROJECTS**

- I. Application
- II. Nondiscrimination of Employees (KRS 344)

I. APPLICATION

1. These contract provisions shall apply to all work performed on the contract by the contractor with his own organization and with the assistance of workmen under his immediate superintendence and to all work performed on the contract by piecework, station work or by subcontract. The contractor's organization shall be construed to include only workmen employed and paid directly by the contractor and equipment owned or rented by him, with or without operators.

2. The contractor shall insert in each of his subcontracts all of the stipulations contained in these Required Provisions and such other stipulations as may be required.

3. A breach of any of the stipulations contained in these Required Provisions may be grounds for termination of the contract.

3. If the contractor is in control of apprenticeship or other training or retraining, including on-the-job training programs, he shall not discriminate against an individual because of his race, color, religion, national origin, sex, disability or age forty (40) and over, in admission to, or employment in any program established to provide apprenticeship or other training.

4. The contractor will send to each labor union or representative of workers with which he has a collective bargaining agreement or other contract or understanding, a notice to be provided advising the said labor union or workers' representative of the contractor's commitments under this section, and shall post copies of the notice in conspicuous places available to employees and applicants for employment. The contractor will take such action with respect to any subcontract or purchase order as the administrating agency may direct as a means of enforcing such provisions, including sanctions for non-compliance.

Revised: January 25, 2017

II. NONDISCRIMINATION OF EMPLOYEES

**AN ACT OF THE KENTUCKY
GENERAL ASSEMBLY TO PREVENT
DISCRIMINATION IN EMPLOYMENT
KRS CHAPTER 344
EFFECTIVE JUNE 16, 1972**

The contract on this project, in accordance with KRS Chapter 344, provides that during the performance of this contract, the contractor agrees as follows:

1. The contractor shall not fail or refuse to hire, or shall not discharge any individual, or otherwise discriminate against an individual with respect to his compensation, terms, conditions, or privileges of employment, because of such individual's race, color, religion, national origin, sex, disability or age (forty and above); or limit, segregate, or classify his employees in any way which would deprive or tend to deprive an individual of employment opportunities or otherwise adversely affect his status as an employee, because of such individual's race, color, religion, national origin, sex, disability or age forty (40) and over. The contractor agrees to post in conspicuous places, available to employees and applicants for employment, notices to be provided setting forth the provisions of this nondiscrimination clause.

2. The contractor shall not print or publish or cause to be printed or published a notice or advertisement relating to employment by such an employer or membership in or any classification or referral for employment by the employment agency, indicating any preference, limitation, specification, or discrimination, based on race, color, religion, national origin, sex, or age forty (40) and over, or because the person is a qualified individual with a disability, except that such a notice or advertisement may indicate a preference, limitation, or specification based on religion, national origin, sex, or age forty (40) and over, or because the person is a qualified individual with a disability, when religion, national origin, sex, or age forty (40) and over, or because the person is a qualified individual with a disability, is a bona fide occupational qualification for employment.

EXECUTIVE BRANCH CODE OF ETHICS

In the 1992 regular legislative session, the General Assembly passed and Governor Brereton Jones signed Senate Bill 63 (codified as KRS 11A), the Executive Branch Code of Ethics, which states, in part:

KRS 11A.040 (7) provides:

No present or former public servant shall, within six (6) months following termination of his office or employment, accept employment, compensation, or other economic benefit from any person or business that contracts or does business with, or is regulated by, the state in matters in which he was directly involved during the last thirty-six (36) months of his tenure. This provision shall not prohibit an individual from returning to the same business, firm, occupation, or profession in which he was involved prior to taking office or beginning his term of employment, or for which he received, prior to his state employment, a professional degree or license, provided that, for a period of six (6) months, he personally refrains from working on any matter in which he was directly involved during the last thirty-six (36) months of his tenure in state government. This subsection shall not prohibit the performance of ministerial functions, including but not limited to filing tax returns, filing applications for permits or licenses, or filing incorporation papers, nor shall it prohibit the former officer or public servant from receiving public funds disbursed through entitlement programs.

KRS 11A.040 (9) states:

A former public servant shall not represent a person or business before a state agency in a matter in which the former public servant was directly involved during the last thirty-six (36) months of his tenure, for a period of one (1) year after the latter of:

- a) The date of leaving office or termination of employment; or
- b) The date the term of office expires to which the public servant was elected.

This law is intended to promote public confidence in the integrity of state government and to declare as public policy the idea that state employees should view their work as a public trust and not as a way to obtain private benefits.

If you have worked for the executive branch of state government within the past six months, you may be subject to the law's prohibitions. The law's applicability may be different if you hold elected office or are contemplating representation of another before a state agency.

Also, if you are affiliated with a firm which does business with the state and which employs former state executive-branch employees, you should be aware that the law may apply to them.

In case of doubt, the law permits you to request an advisory opinion from the Executive Branch Ethics Commission, 1025 Capital Center Drive, Suite 104, Frankfort, Kentucky 40601; telephone (502) 564-7954.

Revised: May 23, 2022

Kentucky Equal Employment Opportunity Act of 1978

The requirements of the Kentucky Equal Employment Opportunity Act of 1978 (KRS 45.560-45.640) shall apply to this Contract. The apparent low Bidder will be required to submit EEO forms to the Division of Construction Procurement, which will then forward to the Finance and Administration Cabinet for review and approval. No award will become effective until all forms are submitted and EEO/CC has certified compliance. The required EEO forms are as follows:

- EEO-1: Employer Information Report
- Affidavit of Intent to Comply
- Employee Data Sheet
- Subcontractor Report

These forms are available on the Finance and Administration's web page under ***Vendor Information, Standard Attachments and General Terms*** at the following address:
<https://www.eProcurement.ky.gov>.

Bidders currently certified as being in compliance by the Finance and Administration Cabinet may submit a copy of their approval letter in lieu of the referenced EEO forms.

For questions or assistance please contact the Finance and Administration Cabinet by email at **finance.contractcompliance@ky.gov** or by phone at 502-564-2874.

EMPLOYEE RIGHTS UNDER THE FAIR LABOR STANDARDS ACT

THE UNITED STATES DEPARTMENT OF LABOR WAGE AND HOUR DIVISION

FEDERAL MINIMUM WAGE

\$7.25

 PER HOUR

BEGINNING JULY 24, 2009

OVERTIME PAY At least 1½ times your regular rate of pay for all hours worked over 40 in a workweek.

CHILD LABOR An employee must be at least **16** years old to work in most non-farm jobs and at least **18** to work in non-farm jobs declared hazardous by the Secretary of Labor.

Youths **14** and **15** years old may work outside school hours in various non-manufacturing, non-mining, non-hazardous jobs under the following conditions:

No more than

- **3** hours on a school day or **18** hours in a school week;
- **8** hours on a non-school day or **40** hours in a non-school week.

Also, work may not begin before **7 a.m.** or end after **7 p.m.**, except from June 1 through Labor Day, when evening hours are extended to **9 p.m.** Different rules apply in agricultural employment.

TIP CREDIT Employers of “tipped employees” must pay a cash wage of at least \$2.13 per hour if they claim a tip credit against their minimum wage obligation. If an employee’s tips combined with the employer’s cash wage of at least \$2.13 per hour do not equal the minimum hourly wage, the employer must make up the difference. Certain other conditions must also be met.

ENFORCEMENT The Department of Labor may recover back wages either administratively or through court action, for the employees that have been underpaid in violation of the law. Violations may result in civil or criminal action.

Employers may be assessed civil money penalties of up to \$1,100 for each willful or repeated violation of the minimum wage or overtime pay provisions of the law and up to \$11,000 for each employee who is the subject of a violation of the Act’s child labor provisions. In addition, a civil money penalty of up to \$50,000 may be assessed for each child labor violation that causes the death or serious injury of any minor employee, and such assessments may be doubled, up to \$100,000, when the violations are determined to be willful or repeated. The law also prohibits discriminating against or discharging workers who file a complaint or participate in any proceeding under the Act.

ADDITIONAL INFORMATION

- Certain occupations and establishments are exempt from the minimum wage and/or overtime pay provisions.
- Special provisions apply to workers in American Samoa and the Commonwealth of the Northern Mariana Islands.
- Some state laws provide greater employee protections; employers must comply with both.
- The law requires employers to display this poster where employees can readily see it.
- Employees under 20 years of age may be paid \$4.25 per hour during their first 90 consecutive calendar days of employment with an employer.
- Certain full-time students, student learners, apprentices, and workers with disabilities may be paid less than the minimum wage under special certificates issued by the Department of Labor.

For additional information:



1-866-4-USWAGE

(1-866-487-9243)

TTY: 1-877-889-5627



WWW.WAGEHOUR.DOL.GOV

PART IV
BID ITEMS

PROPOSAL BID ITEMS

252920

Page 1 of 2

Report Date 1/16/25

Section: 0001 - BRIDGES - 103B00063N

LINE	BID CODE	ALT	DESCRIPTION	QUANTITY	UNIT	UNIT PRIC	FP	AMOUNT
0010	02562		TEMPORARY SIGNS	100.00	SQFT		\$	
0020	02650		MAINTAIN & CONTROL TRAFFIC - APPLIES TO 103B00063N	1.00	LS		\$	
0030	02653		LANE CLOSURE	2.00	EACH		\$	
0040	02671		PORTABLE CHANGEABLE MESSAGE SIGN	4.00	EACH		\$	
0050	03298		EXPAN JOINT REPLACE 4 IN	60.00	LF		\$	
0060	03299		ARMORED EDGE FOR CONCRETE	60.00	LF		\$	
0070	03304		BRIDGE OVERLAY APPROACH PAVEMENT	289.00	SQYD		\$	
0080	04933		TEMP SIGNAL 2 PHASE	1.00	EACH		\$	
0090	06514		PAVE STRIPING-PERM PAINT-4 IN	1,828.00	LF		\$	
0100	06549		PAVE STRIPING-TEMP REM TAPE-B	1,000.00	LF		\$	
0110	06550		PAVE STRIPING-TEMP REM TAPE-W	2,000.00	LF		\$	
0120	06551		PAVE STRIPING-TEMP REM TAPE-Y	2,000.00	LF		\$	
0130	08150		STEEL REINFORCEMENT	270.00	LB		\$	
0140	08504		EPOXY SAND SLURRY	205.00	SQYD		\$	
0150	08510		REM EPOXY BIT FOREIGN OVERLAY	1,030.00	SQYD		\$	
0160	08526		CONC CLASS M FULL DEPTH PATCH	10.00	CUYD		\$	
0170	08534		CONCRETE OVERLAY-LATEX	42.90	CUYD		\$	
0180	08549		BLAST CLEANING	1,234.00	SQYD		\$	
0190	24094EC		PARTIAL DEPTH PATCHING	31.00	CUYD		\$	
0200	24981EC		BRIDGE CLEANING - APPLIES TO 103B00063N	1.00	LS		\$	
0210	24982EC		CONCRETE COATING - APPLIES TO 103B00063N	1.00	LS		\$	
0220	24983EC		BEARING LUBRICATION	8.00	EACH		\$	

Section: 0002 - BRIDGES - 103B00053N

LINE	BID CODE	ALT	DESCRIPTION	QUANTITY	UNIT	UNIT PRIC	FP	AMOUNT
0230	02562		TEMPORARY SIGNS	100.00	SQFT		\$	
0240	02650		MAINTAIN & CONTROL TRAFFIC - APPLIES TO 103B00053N	1.00	LS		\$	
0250	02653		LANE CLOSURE	2.00	EACH		\$	
0260	03298		EXPAN JOINT REPLACE 4 IN	52.00	LF		\$	
0270	03299		ARMORED EDGE FOR CONCRETE	52.00	LF		\$	
0280	03304		BRIDGE OVERLAY APPROACH PAVEMENT	289.00	SQYD		\$	
0290	04933		TEMP SIGNAL 2 PHASE	1.00	EACH		\$	
0300	06514		PAVE STRIPING-PERM PAINT-4 IN	2,888.00	LF		\$	
0310	06549		PAVE STRIPING-TEMP REM TAPE-B	1,000.00	LF		\$	
0320	06550		PAVE STRIPING-TEMP REM TAPE-W	2,000.00	LF		\$	
0330	06551		PAVE STRIPING-TEMP REM TAPE-Y	2,000.00	LF		\$	
0340	08150		STEEL REINFORCEMENT	270.00	LB		\$	
0350	08504		EPOXY SAND SLURRY	415.00	SQYD		\$	
0360	08510		REM EPOXY BIT FOREIGN OVERLAY	2,096.00	SQYD		\$	
0370	08526		CONC CLASS M FULL DEPTH PATCH	21.00	CUYD		\$	
0380	08534		CONCRETE OVERLAY-LATEX	87.30	CUYD		\$	
0390	08549		BLAST CLEANING	2,512.00	SQYD		\$	

PROPOSAL BID ITEMS

252920

Page 2 of 2

Report Date 1/16/25

LINE	BID CODE	ALT	DESCRIPTION	QUANTITY	UNIT	UNIT PRIC	FP	AMOUNT
0400	24094EC		PARTIAL DEPTH PATCHING	65.00	CUYD		\$	
0410	24981EC		BRIDGE CLEANING - APPLIES TO 103B00053N	1.00	LS		\$	
0420	24983EC		BEARING LUBRICATION	8.00	EACH		\$	

Section: 0003 - DEMOB

LINE	BID CODE	ALT	DESCRIPTION	QUANTITY	UNIT	UNIT PRIC	FP	AMOUNT
0430	02569		DEMOBILIZATION	1.00	LS		\$	