



CALL NO. 402

CONTRACT ID. 212434

WHITLEY COUNTY

FED/STATE PROJECT NUMBER 118GR21P089-FD04

DESCRIPTION KY 26, KY 779, KY 1064

WORK TYPE GUARDRAIL

PRIMARY COMPLETION DATE 8/1/2022

LETTING DATE: November 19,2021

Sealed Bids will be received electronically through the Bid Express bidding service until 10:00 am EASTERN STANDARD TIME November 19,2021. Bids will be publicly announced at 10:00 am EASTERN STANDARD TIME.

NO PLANS ASSOCIATED WITH THIS PROJECT.

REQUIRED BID PROPOSAL GUARANTY: Not less than 5% of the total bid.

TABLE OF CONTENTS

PART I	SCOPE OF WORK
	<ul style="list-style-type: none">• PROJECT(S), COMPLETION DATE(S), & LIQUIDATED DAMAGES• CONTRACT NOTES• STATE CONTRACT NOTES• DGA BASE• DGA BASE FOR SHOULDERS• SPECIAL NOTE(S) APPLICABLE TO PROJECT• WASTE AND BORROW SITES• COORDINATION OF WORK WITH OTHER CONTRACTS• SHOULDER PREPARATION• GUARDRAIL• TYPICAL SECTION DIMENSIONS• EROSION CONTROL PLAN FOR MAINTENANCE PROJECTS• SKETCH MAP(S)• MATERIAL SUMMARY• SUMMARY SHEET(S)• TYPICAL SECTION(S)• DETAIL SHEET(S)• GUARDRAIL DELIVERY VERIFICATION SHEET• GUARDRAIL ON BRIDGE CASE I
PART II	SPECIFICATIONS AND STANDARD DRAWINGS
	<ul style="list-style-type: none">• SPECIFICATIONS REFERENCE• SUPPLEMENTAL SPECIFICATION• STANDARD DRAWINGS THAT APPLY
PART III	EMPLOYMENT, WAGE AND RECORD REQUIREMENTS
	<ul style="list-style-type: none">• LABOR AND WAGE REQUIREMENTS• EXECUTIVE BRANCH CODE OF ETHICS• KENTUCKY EQUAL EMPLOYMENT OPPORTUNITY ACT OF 1978 LOCALITY / STATE• PROJECT WAGE RATES / STATE FUNDED
PART IV	INSURANCE
PART V	BID ITEMS

PART I
SCOPE OF WORK

ADMINISTRATIVE DISTRICT - 11

CONTRACT ID - 212434

118GR21P089-FD04

COUNTY - WHITLEY

PCN - MP11800262102

FD04 118 0026 000-001

OLD DIXIE HIGHWAY (KY 26) (MP 0.309) FROM 1,630 FEET NORTH OF US 25W EXTENDING NORTH TO 2,480 FEET NORTH OF US 25W (MP 0.470), A DISTANCE OF 0.16 MILES.GUARDRAIL SYP NO. 11-04372.00.

GEOGRAPHIC COORDINATES LATITUDE 37:46:14.00 LONGITUDE 64:08:42.00

PCN - MP11800262103

FD04 118 0026 000-001

OLD DIXIE HIGHWAY (KY 26) (MP 0.481) FROM 1,750 FEET SOUTH OF KING MOUNTAIN ROAD EXTENDING NORTH TO KING MOUNTAIN ROAD (MP 0.812), A DISTANCE OF 0.33 MILES.GUARDRAIL SYP NO. 11-04375.00.

GEOGRAPHIC COORDINATES LATITUDE 36:46:21.00 LONGITUDE 84:08:23.00

PCN - MP11800262104

FD04 118 0026 000-001

OLD DIXIE HIGHWAY (KY 26) (MP 0.900) FROM 125 FEET SOUTH OF KY 779 EXTENDING NORTH TO KY 779 (MP 0.924), A DISTANCE OF 0.02 MILES.GUARDRAIL SYP NO. 11-04421.00.

GEOGRAPHIC COORDINATES LATITUDE 36:45:08.00 LONGITUDE 84:01:41.00

PCN - MP11807792101

FD04 118 0779 009-010

MEADOW CREEK - GAUSDALE ROAD (KY 779) (MP 9.861) FROM 650 FEET EAST OF SHARP & WELLS ROAD EXTENDING EAST TO 590 FEET WEST OF OWENS BRANCH ROAD (MP 10.110), A DISTANCE OF 0.25 MILES.GUARDRAIL SYP NO. 11-04423.00.

GEOGRAPHIC COORDINATES LATITUDE 36:46:54.00 LONGITUDE 83:59:47.00

PCN - MP11810642101

FD04 118 1064 005-006

WHETSTONE ROAD (KY 1064) (MP 5.124) FROM KY 92 EXTENDING NORTH TO 0.037 MILES NORTH OF WHETSTONE CHURCH ROAD (MP 5.578), A DISTANCE OF 0.45 MILES.GUARDRAIL SYP NO. 11-04420.00.

GEOGRAPHIC COORDINATES LATITUDE 36:45:08.00 LONGITUDE 84:01:42.00

PCN - MP11810642102

FD04 118 1064 014-016

MEADOW CREEK ROAD (KY 1064) (MP 14.775) FROM ELLIOTT ROAD EXTENDING NORTH 1,370 FEET NORTH OF HARMON LANE (MP 15.215), A DISTANCE OF 0.44 MILES.GUARDRAIL SYP NO. 11-04369.00.

GEOGRAPHIC COORDINATES LATITUDE 36:52:09.00 LONGITUDE 84:04:23.00

COMPLETION DATE(S):

COMPLETED BY 08/01/2022

SPECIFIED COMPLETION DATE -
ALL ITEMS IN CONTRACT

CONTRACT NOTES

PROPOSAL ADDENDA

All addenda to this proposal must be applied when calculating bid and certified in the bid packet submitted to the Kentucky Department of Highways. Failure to use the correct and most recent addenda may result in the bid being rejected.

BID SUBMITTAL

Bidder must use the Department's electronic bidding software. The Bidder must download the bid file located on the Bid Express website (www.bidx.com) to prepare a bid packet for submission to the Department. The bidder must submit electronically using Bid Express.

JOINT VENTURE BIDDING

Joint venture bidding is permissible. All companies in the joint venture must be prequalified in one of the work types in the Qualifications for Bidders for the project. The bidders must get a vendor ID for the joint venture from the Division of Construction Procurement and register the joint venture as a bidder on the project. Also, the joint venture must obtain a digital ID from Bid Express to submit a bid. A joint bid bond of 5% may be submitted for both companies or each company may submit a separate bond of 5%.

UNDERGROUND FACILITY DAMAGE PROTECTION

The contractor shall make every effort to protect underground facilities from damage as prescribed in the Underground Facility Damage Protection Act of 1994, Kentucky Revised Statute KRS 367.4901 to 367.4917. It is the contractor's responsibility to determine and take steps necessary to be in compliance with federal and state damage prevention directives. When prescribed in said directives, the contractor shall submit Excavation Locate Requests to the Kentucky Contact Center (KY811) via web ticket entry. The submission of this request does not relieve the contractor from the responsibility of contacting non-member facility owners, whom shall be contacted through their individual Protection Notification Center. Non-compliance with these directives can result in the enforcement of penalties.

REGISTRATION WITH THE SECRETARY OF STATE BY A FOREIGN ENTITY

Pursuant to KRS 176.085(1)(b), an agency, department, office, or political subdivision of the Commonwealth of Kentucky shall not award a state contract to a person that is a foreign entity required by [KRS 14A.9-010](#) to obtain a certificate of authority to transact business in the Commonwealth ("certificate") from the Secretary of State under [KRS 14A.9-030](#) unless the person produces the certificate within fourteen (14) days of the bid or proposal opening. If the foreign entity is not required to obtain a certificate as provided in [KRS 14A.9-010](#), the foreign entity should identify the applicable exception. Foreign entity is defined within [KRS 14A.1-070](#).

For all foreign entities required to obtain a certificate of authority to transact business in the Commonwealth, if a copy of the certificate is not received by the contracting agency within the time frame identified above, the foreign entity's solicitation response shall be deemed non-responsive or the awarded contract shall be cancelled.

Businesses can register with the Secretary of State at <https://secure.kentucky.gov/sos/ftbr/welcome.aspx>.

SPECIAL NOTE FOR PROJECT QUESTIONS DURING ADVERTISEMENT

Questions about projects during the advertisement should be submitted in writing to the Division of Construction Procurement. This may be done by fax (502) 564-7299 or email to kytc.projectquestions@ky.gov. The Department will attempt to answer all submitted questions. The Department reserves the right not to answer if the question is not pertinent or does not aid in clarifying the project intent.

The deadline for posting answers will be 3:00 pm Eastern Daylight Time, the day preceding the Letting. Questions may be submitted until this deadline with the understanding that the later a question is submitted, the less likely an answer will be able to be provided.

The questions and answers will be posted for each Letting under the heading "Questions & Answers" on the Construction Procurement website (www.transportation.ky.gov/contract). The answers provided shall be considered part of this Special Note and, in case of a discrepancy, will govern over all other bidding documents.

HARDWOOD REMOVAL RESTRICTIONS

The US Department of Agriculture has imposed a quarantine in Kentucky and several surrounding states, to prevent the spread of an invasive insect, the emerald ash borer. Hardwood cut in conjunction with the project may not be removed from the state. Chipping or burning on site is the preferred method of disposal.

INSTRUCTIONS FOR EXCESS MATERIAL SITES AND BORROW SITES

Identification of excess material sites and borrow sites shall be the responsibility of the Contractor. The Contractor shall be responsible for compliance with all applicable state and federal laws and may wish to consult with the US Fish and Wildlife Service to seek protection under Section 10 of the Endangered Species Act for these activities.

ACCESS TO RECORDS

The contractor, as defined in KRS 45A.030 (9) agrees that the contracting agency, the Finance and Administration Cabinet, the Auditor of Public Accounts, and the Legislative Research Commission, or their duly authorized representatives, shall have access to any books, documents, papers, records, or other evidence, which are directly pertinent to this contract for the purpose of financial audit or program review. Records and other prequalification information confidentially

disclosed as part of the bid process shall not be deemed as directly pertinent to the contract and shall be exempt from disclosure as provided in KRS 61.878(1)(c). The contractor also recognizes that any books, documents, papers, records, or other evidence, received during a financial audit or program review shall be subject to the Kentucky Open Records Act, KRS 61.870 to 61.884.

In the event of a dispute between the contractor and the contracting agency, Attorney General, or the Auditor of Public Accounts over documents that are eligible for production and review, the Finance and Administration Cabinet shall review the dispute and issue a determination, in accordance with Secretary's Order 11-004.

April 30, 2018

SPECIAL NOTE FOR RECIPROCAL PREFERENCE

RECIPROCAL PREFERENCE TO BE GIVEN BY PUBLIC AGENCIES TO RESIDENT BIDDERS

By reference, KRS 45A.490 to 45A.494 are incorporated herein and in compliance regarding the bidders residency. Bidders who want to claim resident bidder status should complete the Affidavit for Claiming Resident Bidder Status along with their bid in the electronic bidding software. Submittal of the Affidavit should be done along the bid in Bid Express.

April 30, 2018

DGA BASE

Unless otherwise noted, the Department estimates the rate of application for DGA Base to be 115 lbs/sy per inch of depth.

DGA BASE FOR SHOULDERS

Unless otherwise noted, the Department estimates the rate of application for DGA Base for Shoulders to be 115 lbs/sy per inch of depth. The Department will not measure necessary grading and/or shaping of existing shoulders prior to placing of DGA Base, but shall be incidental to the Contract unit price per ton for DGA Base.

Accept payment at the Contract unit price per ton as full compensation for all labor, materials, equipment, and incidentals for grading and/or shaping of existing shoulders and furnishing, placing, and compacting the DGA Base.

SPECIAL NOTE FOR TYPE 1 AND TYPE 4 END TREATMENTS

When the plans call for a Type 1 or Type 4 End Treatment, a MASH eligibility letter from FHWA is required for these end terminals. When a MASH tested eligibility letter is not available for the end terminal being utilized, the most recent NCHRP 350 eligibility letter from FHWA for that terminal will apply. Acceptance of the terminal will be at the discretion of the Engineer.

SPECIAL PROVISION FOR WASTE AND BORROW SITES

Obtain U.S. Army Corps of Engineer's approval before utilizing a waste or borrow site that involves "Waters of the United States". The Corps of Engineers defines "Waters of the United States" as perennial or intermittent streams, ponds or wetlands. The Corps of Engineers also considers ephemeral streams, typically dry except during rainfall but having a defined drainage channel, to be jurisdictional waters. Direct questions concerning any potential impacts to "Waters of the United States" to the attention of the appropriate District Office for the Corps of Engineers for a determination prior to disturbance. Be responsible for any fees associated with obtaining approval for waste and borrow sites from the U.S. Army Corps of Engineer or other appropriate regulatory agencies.

1-296 Waste & Borrow Sites
01/02/2012

COORDINATION OF WORK WITH OTHER CONTRACTS

Be advised, there may be active project(s) adjacent to or within this project. These may be KYTC administered contracts, work being performed as part of a KYTC issued encroachment permit, or work being performed by Department forces. The Engineer will coordinate the work of the Contractor and others within the limits of this project. See Sections 105.06, 107.06 and 107.14.

SPECIAL NOTE FOR SHOULDER PREPARATION

Grade, shape, and compact shoulder as shown on the typical section and as directed by the Engineer to provide proper template and foundation for the guardrail. The Department will not measure grading, shaping, and compacting shoulders for separate payment, but shall be incidental to the Dense Graded Aggregate, Guardrail, End Treatments, and Cribbing constructed on the shoulder.

SPECIAL NOTES FOR GUARDRAIL

I. DESCRIPTION

Except as specified herein, perform all work in accordance with the Department's 2019 Standard and Supplemental Specifications, Special Notes and Special Provisions, and Standard and Sepia Drawings, current editions. Article references are to the Standard Specifications.

Furnish all equipment, labor, materials, and incidentals for the following work items:

(1) Site preparation and erosion control; (2) Guardrail, Bridge Guardrail, Single Face A Guardrail, Cribbing, Terminal Sections, and End Treatments; (3) Delineators for guardrail; (4) Extra Length Posts and Cribbing; (10) Maintain and control traffic; and (5) All other work specified as part of this contract.

II. MATERIALS

Except as specified herein, provide for all materials to be sampled and tested in accordance with the Department's Sampling Manual and make the materials available for sampling a sufficient time in advance of the use of the materials to allow for the necessary time for testing.

A. Maintain and Control Traffic. See Traffic Control Plan.

B. Guardrail. Furnish guardrail system components according to section 814 and the Standard and Sepia Drawings, except furnish seven (7) foot length steel posts only, no alternates.

C. Extra Length Posts. Furnish Extra Length Posts (9 foot) for cribbing.

D. Delineators for Guardrail. Furnish bi-directional white Delineators for Guardrail according to the Standard Drawing RBR-055-01.

E. Cribbing. Furnish Steel "W" Beam Guardrail elements, new or used, in 12.5 foot lengths. Furnish only structurally sound and rust free straight elements. The Engineer will use visual inspection to determine acceptability.

F. Dense Graded Aggregate. Furnish Dense Graded Aggregate (DGA) according to Section 302.02. Do not furnish Crushed Stone Base in lieu of DGA.

G. Erosion Control. See Special Notes for Erosion Control.

III. CONSTRUCTION METHODS

A. Maintain and Control Traffic. See Traffic Control Plan.

B. Site Preparation. Be responsible for all site preparation, including but not limited to, clearing and grubbing, excavation, embankment, and removal of all obstructions or any other items; regrading, reshaping, adding and compacting of suitable materials on the existing shoulders to provide proper template or foundation for the guardrail; temporary pollution and erosion control; disposal, of excess and waste materials and debris; and final dressing, cleanup, and seeding and protection. Perform all site preparation as approved or directed by the Engineer. See special Note for Shouldering.

C. Guardrail. Except as specified herein, construct guardrail system according to Section 719 and the Standard and Sepia Drawings. Locations listed on the summary and/or shown on the drawings are approximate only. The Engineer will determine the exact termini for individual guardrail installations at the time of construction. Unless directed otherwise by the Engineer, provide a minimum shoulder width as shown on the drawings. Construct radii at entrances and road intersections as directed by the Engineer.

Erect guardrail to the lines and grades shown on current Standard and Sepia Drawings or as directed by the Engineer by any method approved by the Engineer that allows construction of the guardrail to the true grade without apparent sags. Support cantilevered terminal sections with an additional post.

When installing guardrail, do not leave the blunt end exposed where it would be hazardous to the public. When it is not practical to complete the construction of the guardrail and the permanent end treatments and terminal sections first, provide a temporary end by connecting at least 25 feet of rail to the last post, and by slightly flaring, and burying the end of the rail completely into the existing shoulder. If left overnight, place a drum with bridge panel in advance of the guardrail end and maintain during use.

D. Delineators for Guardrail. Install delineators for guardrail according to Standard Drawing RBR-055-01, except space 50 feet on centers.

E. Cribbing. The Engineer will determine the locations requiring Cribbing at the time of construction. Install Extra Length Posts with Cribbing as shown on the detail drawing and/or as directed by the Engineer. Use more than one guardrail element in height as needed. Backfill with DGA.

F. Property Damage. Be responsible for all damage to public and/or private property resulting from the work. Restore damaged roadway features and private property at no additional cost to the Department.

G. Coordination with Utility Companies. Locate all underground, above ground and overhead utilities prior to beginning construction. Be responsible for contacting and

Guardrail
Page 3 of 4

maintaining liaison with all utility companies that have utilities located within the project limits. Do not disturb existing overhead or underground utilities. It is not anticipated that any utility facilities will need to be relocated and/or adjusted; however, in the event that it is discovered that the work does require that utilities be relocated and/or adjusted, the utility companies will work concurrently with the Contractor while relocating their facilities. Be responsible for repairing all utility damage that occurs as a result of guardrail operations at no additional cost to the Department.

H. Right of Way Limits. The Department has not established exact limits of the Right-of-Way. Limit work activities to obvious Right-of-Way, permanent or temporary easements, and work areas secured by the Department through consent and release of the adjacent property owners. Be responsible for all encroachments onto private lands.

I. Disposal of Waste. Dispose of all removed concrete, debris, and other waste and debris off the Right-of-Way at sites obtained by the Contractor at no additional cost to the Department. See Special Note for Waste and Borrow.

J. Final Dressing, Clean Up, and Seeding and Protection. Apply Class A Final Dressing to all disturbed areas, both on and off the Right-of-Way. Sow all disturbed earthen areas according to the Special Notes for Erosion Control.

K. Erosion Control. See Special Notes for Erosion Control.

IV. METHOD OF MEASUREMENT

A. Maintain and Control Traffic. See Traffic Control Plan.

B. Site preparation. Other than the bid items listed, the Department will not measure Site Preparation for separate payment but shall be incidental to Guardrail, End Treatments and Terminal Section, Extra Length Posts, and Cribbing, as applicable.

C. Guardrail System. See Section 719.04.

D. Extra Length Posts for Cribbing. Contrary to Section 719.04.03, the Department will measure the quantity by each individual unit

E. Delineators for Guardrail. See the Standard Drawing RBR-055-01.

F. Cribbing. The Department will measure Cribbing in square feet of finished in- place area. The Department will not measure laps, cutoffs, excess, and waste.

G. Dense Graded Aggregate. See Section 302.04.

H. Erosion Control. See Special Notes for Erosion Control.

Guardrail
Page 4 of 4

V. BASIS OF PAYMENT

A. Maintain and Control Traffic. See Traffic Control Plan.

B. Guardrail System. See Section 719.05.

C. Delineators for Guardrail. See the Standard Drawing RBR-055-01.

D. Extra Length Posts for Cribbing. See Section 719.05.

E. Cribbing. Accept payment at the Contract unit price as full compensation for all materials, labor, equipment, and incidentals for furnishing, installing, and attaching the cribbing on the Extra Length Posts.

F. Dense Graded Aggregate. See Section 302.05.

SPECIAL NOTE FOR TYPICAL SECTION DIMENSIONS

Consider the dimensions shown on the typical sections for pavement and shoulder widths and thickness' to be nominal or typical dimensions. The Engineer may direct or approve varying the actual dimensions to be constructed to fit existing conditions. Do not widen existing pavement or shoulders unless specified elsewhere in this proposal or directed by the engineer.

1-3725 Typical Section Dimensions
01/02/2012

SPECIAL NOTE FOR EROSION CONTROL

I. DESCRIPTION

Perform all erosion and water pollution control work in accordance with the Department's Standard and Interim Supplemental Specifications, Special Provisions and Special Notes, and Standard and Sepia Drawings, current editions, and as directed by the Engineer. Section references are to the Standard Specifications. This work shall consist of:

(1) Developing and preparing a Best Management Practices Plan (BMP) tailored to suit the specific construction phasing for each site within the project; (2) Preparing the project site for construction, including locating, furnishing, installing, and maintaining temporary and/or permanent erosion and water pollution control measures as required by the BMP prior to beginning any earth disturbing activity on the project site; (3) Clearing and grubbing and removal of all obstructions as required for construction; (4) Removing all erosion control devices when no longer needed; (5) Restoring all disturbed areas as nearly as possible to their original condition; (6) Preparing seedbeds and permanently seeding all disturbed areas; (7) Providing a Kentucky Erosion Prevention and Sediment Control Program (KEPSC) qualified inspector; and (8) Performing any other work to prevent erosion and/or water pollution as specified by this contract, required by the BMP, or as directed by the Engineer.

II. MATERIALS

Furnish materials in accordance with these notes, the Standard Specifications and Interim Supplemental Specifications, and applicable Special Provisions and Special Notes, and Standard and Sepia Drawings, current editions. Provide for all materials to be sampled and tested in accordance with the Department's Sampling Manual. Unless directed otherwise by the Engineer, make the materials available for sampling a sufficient time in advance of the use of the materials to allow for the necessary time for testing.

III. CONSTRUCTION

Be advised, these Erosion Control Plan Notes do not constitute a BMP plan for the project. Jointly with the Engineer, prepare a site specific BMP plan for each drainage area within the project in accordance with Section 213. Provide a unique BMP at each project site using good engineering practices taking into account existing site conditions, the type of work to be performed, and the construction phasing, methods and techniques to be utilized to complete the work. Be responsible for all erosion prevention, sediment control, and water pollution prevention measures required by the BMP for each site. Represent and warrant compliance with the Clean Water Act (33 USC Section 1251 et seq.), the 404 Permit, the 401 Water Quality Certification, and applicable state and

Erosion Control

Page 2 of 3

local government agency laws, regulations, rules, specifications, and permits. Contrary to Section 105.05, in case of discrepancy between these notes, the Standard Specifications, Interim Supplemental Specifications, Special and Special Notes, Standard and Sepia Drawings, and such state and local government agency requirements, adhere to the most restrictive requirement.

Conduct operations in such a manner as to minimize the amount of disturbed ground during each phase of the construction and limit the haul roads to the minimum required to perform the work. Preserve existing vegetation not required to be removed by the work or the contract. Seed and/or mulch disturbed areas at the earliest opportunity. Use silt fence, silt traps, temporary ditches, brush barriers, erosion control blankets, sodding, channel lining, and other erosion control measures in a timely manner as required by the BMP and as directed or approved by the Engineer. Prevent sediment laden water from leaving the project, entering an existing drainage structure, or entering a stream.

Provide for erosion control measures to be in place and functioning prior to any earth disturbance within a drainage area. Compute the volume and size of silt control devices necessary to control sediment during each phase of construction. Remove sediment from silt traps before they become a maximum of ½ full. Maintain silt fence by removing accumulated trappings and/or replacing the geotextile fabric when it becomes clogged, damaged, or deteriorated, or when directed by the Engineer. Properly dispose of all materials trapped by erosion control devices at approved sites off the right of way obtained by the Contractor at no additional cost to the Department (See Special Note for Waste and Borrow).

As work progresses, add or remove erosion control measures as required by the BMP applicable to the Contractor's project phasing and construction methods and techniques. Update the volume calculations and modify the BMP as necessary throughout the duration of the project. Ensure that an updated BMP is kept on site and available for public inspection throughout the life of the project.

After all construction is complete, restore all disturbed areas in accordance with Section 212. Completely remove all temporary erosion control devices not required as part of the permanent erosion control from the construction site. Prior to removal, obtain the Engineer's concurrence of items to be removed. Grade the remaining exposed earth (both on and off the Right of-Way) as nearly as possible to its original condition, or as directed by the Engineer. Prepare the seed bed areas and sow all exposed earthen areas with the applicable seed mixture(s) according to Section 212.03.03.

IV. MEASUREMENT

Erosion Control Blanket. If required by the BMP, the Department will measure Erosion Control Blanket according to Section 212.04.07.

Sodding. If required by the BMP, the Department will measure Sodding according to Section 212.04.08.

Channel Lining. If required by the BMP, the Department will measure Channel Lining according to Sections 703.04.04-703.04.07.

Erosion Control. Contrary to Sections 212.04, 213.04, and 703.04 other than Erosion Control Blankets, Sodding, and Channel Lining, the Department will not measure Erosion Control or developing, updating, and maintaining a BMP plan for each site; providing a KEPSC qualified inspector; locating, furnishing, installing, inspecting, maintaining, and removing erosion and water pollution control items; Roadway Excavation, Borrow Excavation, Embankment In Place, Topsoil Furnished and Placed, and Spreading Stockpiled Topsoil; Topdressing Fertilizer, Temporary and Permanent Seeding and Protection, Special Seeding Crown Vetch, and Temporary Mulch; Sedimentation Basin and Clean Sedimentation Basin, Silt Trap Type "A" and Clean Silt Trap Type "A"; Silt Trap Type "B" and Clean Silt Trap Type "B"; Silt Trap Type "C" and Clean Silt Trap Type "C"; Temporary Silt Fence and Clean Temporary Silt Fence; Plants, Vines, Shrubs, and Trees; Gabion and Dumped Stone Deflectors and Riffle Structures; Boulders; Temporary Ditches and clean Temporary Ditches; Geotextile Fabric, and all other erosion and water pollution control items required by the BMP or the Engineer, but shall be incidental to Site Preparation.

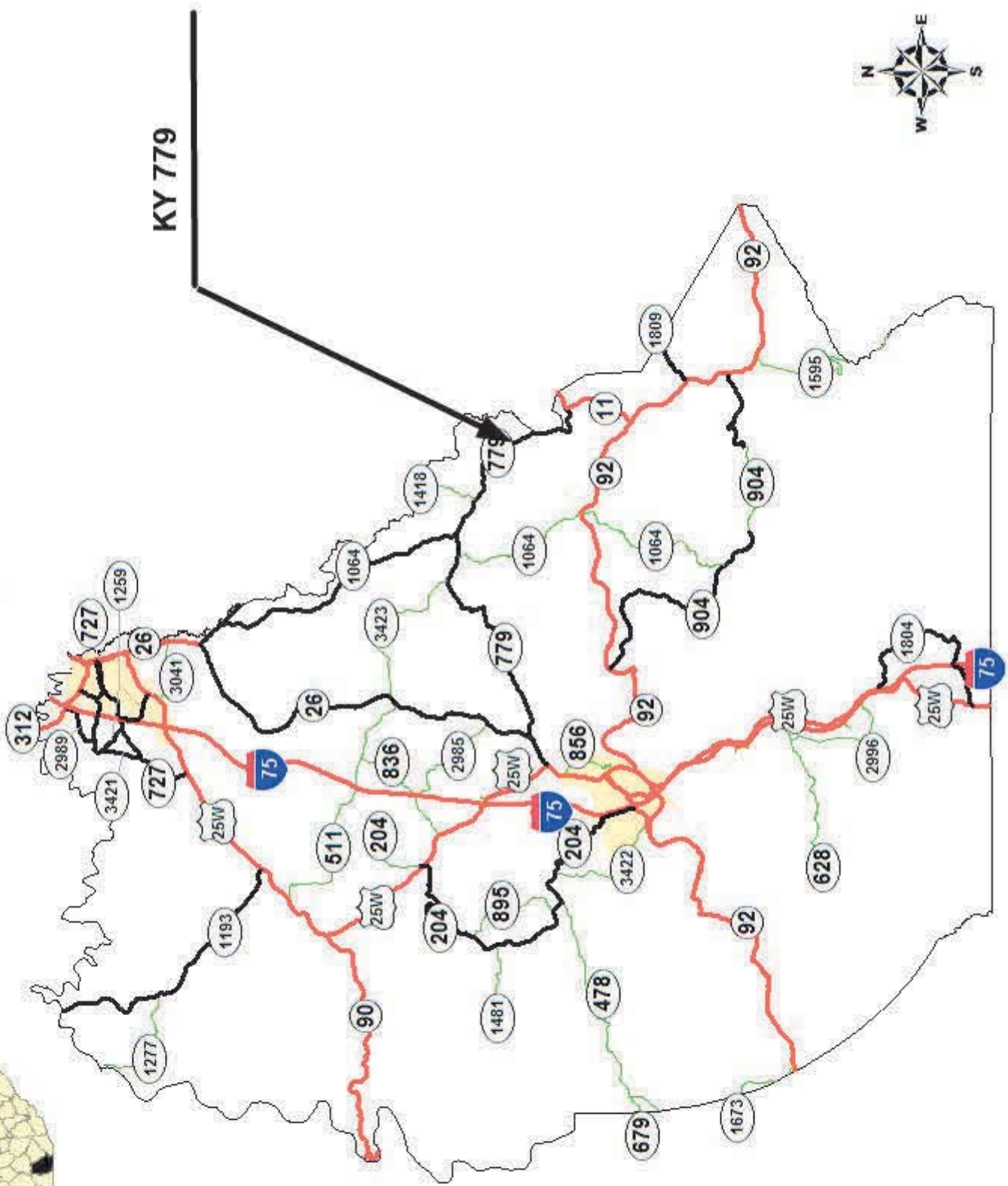
V. Basis of Payment

Erosion Control Blanket. If not listed as a bid item, but required by the BMP, the Department will pay for Erosion Control Blankets as Extra Work according to Sections 104.03 and 109.04.

Sodding. If not listed as a bid item, but required by the BMP, the Department will pay for Sodding as Extra Work according to Sections 104.03 and 109.04.

Channel Lining. If not listed as a bid item, but required by the BMP, the Department will pay for Channel Lining as Extra Work according to Sections 104.03 and 109.04.

DEPARTMENT OF HIGHWAYS
MAP OF
WHITLEY COUNTY



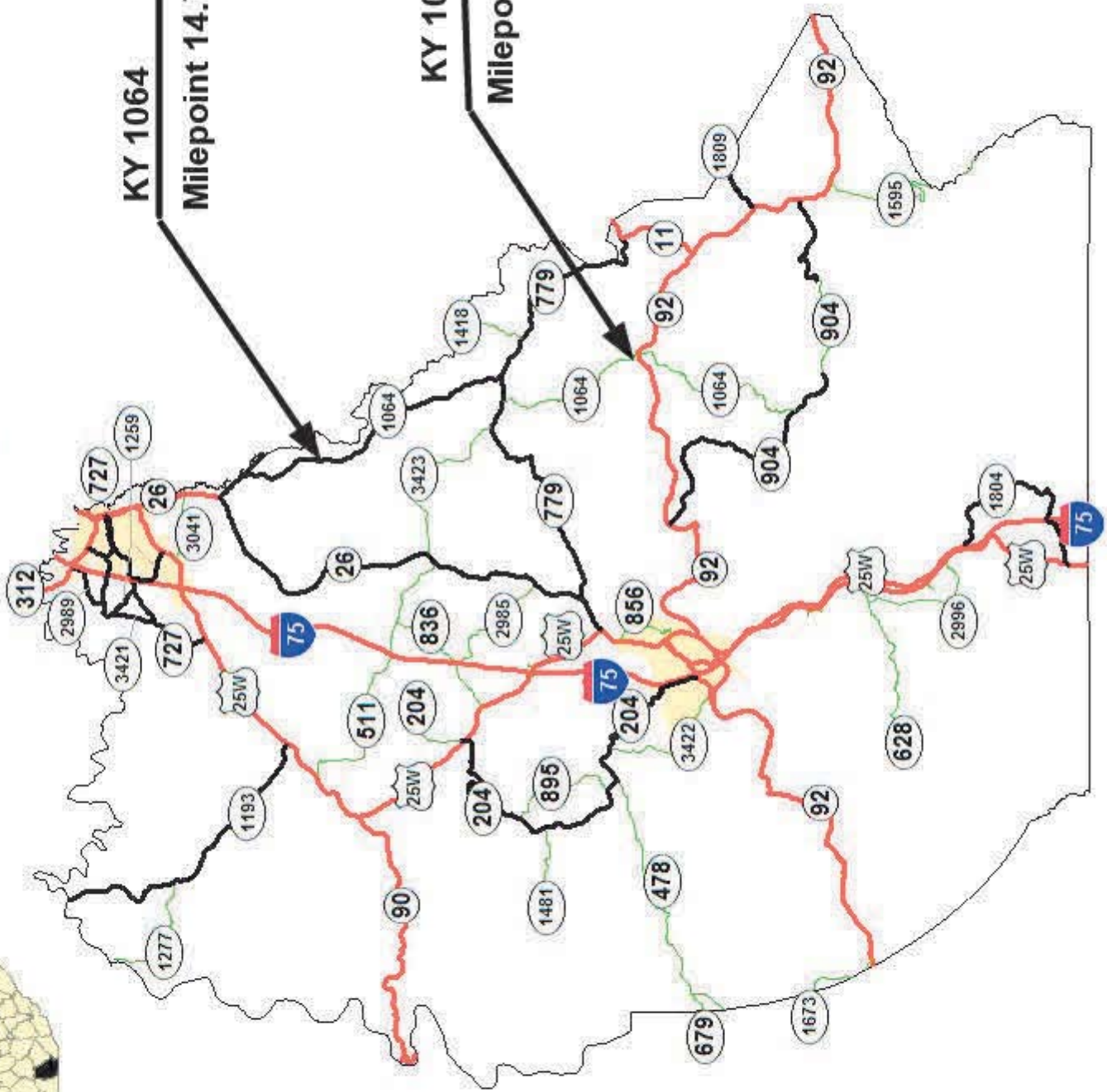


DEPARTMENT OF HIGHWAYS
MAP OF
WHITLEY COUNTY



KY 1064
Milepoint 14.775-15.216

KY 1064
Milepoint 5.124-5.578



MATERIAL SUMMARY

CONTRACT ID: 212434

118GR21P089-FD04

MP11800262102

OLD DIXIE HIGHWAY (KY 26) FROM 1,630 FEET NORTH OF US 25W EXTENDING NORTH TO 2,480 FEET NORTH OF US 25W GUARDRAIL, A DISTANCE OF .16 MILES.

Project Line No	Bid Code	DESCRIPTION	Quantity	Unit
0185	00001	DGA BASE	125.00	TON
0190	01987	DELINEATOR FOR GUARDRAIL BI DIRECTIONAL WHITE	19.00	EACH
0195	02360	GUARDRAIL TERMINAL SECTION NO 1	2.00	EACH
0200	02399	EXTRA LENGTH GUARDRAIL POST - (9 FOOT)	41.00	EACH
0205	02562	TEMPORARY SIGNS	200.00	SQFT
0210	02650	MAINTAIN & CONTROL TRAFFIC - (KY 26 MILEOIIINT 0.309-0.470)	1.00	LS
0215	03236	CRIBBING	250.00	SQFT
0220	21802EN	G/R STEEL W BEAM-S FACE (7 FT POST)	862.50	LF
0225	02569	DEMOBILIZATION	1.00	LS

CONTRACT ID: 212434

118GR21P089-FD04

MP11800262103

OLD DIXIE HIGHWAY (KY 26) FROM 1,750 FEET SOUTH OF KING MOUNTAIN ROAD EXTENDING NORTH TO KING MOUNTAIN ROAD GUARDRAIL, A DISTANCE OF .33 MILES.

Project Line No	Bid Code	DESCRIPTION	Quantity	Unit
0230	00001	DGA BASE	400.00	TON
0235	01987	DELINEATOR FOR GUARDRAIL BI DIRECTIONAL WHITE	36.00	EACH
0240	02360	GUARDRAIL TERMINAL SECTION NO 1	1.00	EACH
0245	02391	GUARDRAIL END TREATMENT TYPE 4A	1.00	EACH
0250	02399	EXTRA LENGTH GUARDRAIL POST - (9 FOOT)	125.00	EACH
0255	02562	TEMPORARY SIGNS	200.00	SQFT
0260	02650	MAINTAIN & CONTROL TRAFFIC - (KY 26 MILEOIIINT 0.481-0.812)	1.00	LS
0265	03236	CRIBBING	1,800.00	SQFT
0270	21802EN	G/R STEEL W BEAM-S FACE (7 FT POST)	1,762.50	LF
0275	02569	DEMOBILIZATION	1.00	LS

MATERIAL SUMMARY

CONTRACT ID: 212434

118GR21P089-FD04

MP11800262104

OLD DIXIE HIGHWAY (KY 26) FROM 125 FEET SOUTH OF KY 779 EXTENDING NORTH TO KY 779 GUARDRAIL, A DISTANCE OF .02 MILES.

Project Line No	Bid Code	DESCRIPTION	Quantity	Unit
0005	00001	DGA BASE	50.00	TON
0010	01987	DELINEATOR FOR GUARDRAIL BI DIRECTIONAL WHITE	10.00	EACH
0015	02355	GUARDRAIL-STEEL W BEAM-S FACE A	100.00	LF
0020	02360	GUARDRAIL TERMINAL SECTION NO 1	2.00	EACH
0025	02371	GUARDRAIL END TREATMENT TYPE 7	1.00	EACH
0030	02391	GUARDRAIL END TREATMENT TYPE 4A	1.00	EACH
0035	02399	EXTRA LENGTH GUARDRAIL POST - (9 FOOT)	17.00	EACH
0040	02562	TEMPORARY SIGNS	200.00	SQFT
0045	02650	MAINTAIN & CONTROL TRAFFIC - (KY 26 MILEOINT 0.900-924)	1.00	LS
0050	03236	CRIBBING	100.00	SQFT
0055	08805	GUARDRAIL-BRIDGE CASE I	50.00	LF
0060	21802EN	G/R STEEL W BEAM-S FACE (7 FT POST)	387.50	LF
0065	02569	DEMOBILIZATION	1.00	LS

CONTRACT ID: 212434

118GR21P089-FD04

MP11807792101

MEADOW CREEK - GAUSDAL ROAD (KY 779) FROM 650 FEET EAST OF SHARP & WELLS ROAD EXTENDING EAST TO 590 FEET WEST OF OWENS BRANCH ROAD GUARDRAIL, A DISTANCE OF .25 MILES.

Project Line No	Bid Code	DESCRIPTION	Quantity	Unit
0070	00001	DGA BASE	500.00	TON
0075	01987	DELINEATOR FOR GUARDRAIL BI DIRECTIONAL WHITE	19.00	EACH
0080	02360	GUARDRAIL TERMINAL SECTION NO 1	1.00	EACH
0085	02367	GUARDRAIL END TREATMENT TYPE 1	2.00	EACH
0090	02391	GUARDRAIL END TREATMENT TYPE 4A	1.00	EACH
0095	02399	EXTRA LENGTH GUARDRAIL POST - (9 FOOT)	192.00	EACH
0100	02562	TEMPORARY SIGNS	150.00	SQFT
0105	02650	MAINTAIN & CONTROL TRAFFIC - (KY 779)	1.00	LS
0110	03236	CRIBBING	2,400.00	SQFT
0115	21802EN	G/R STEEL W BEAM-S FACE (7 FT POST)	837.50	LF
0120	02569	DEMOBILIZATION	1.00	LS

MATERIAL SUMMARY

CONTRACT ID: 212434

118GR21P089-FD04

MP11810642101

WHETSTONE ROAD (KY 1064) FROM KY 92 EXTENDING NORTH TO 0.037 MILES NORTH OF WHETSTONE CHURCH ROAD GUARDRAIL, A DISTANCE OF .45 MILES.

Project Line No	Bid Code	DESCRIPTION	Quantity	Unit
0280	00001	DGA BASE	500.00	TON
0285	01987	DELINEATOR FOR GUARDRAIL BI DIRECTIONAL WHITE	50.00	EACH
0290	02391	GUARDRAIL END TREATMENT TYPE 4A	1.00	EACH
0295	02396	REMOVE GUARDRAIL END TREATMENT	1.00	EACH
0300	02399	EXTRA LENGTH GUARDRAIL POST - (9 FOOT)	256.00	EACH
0305	02562	TEMPORARY SIGNS	150.00	SQFT
0310	02650	MAINTAIN & CONTROL TRAFFIC - (KY 1064 MILEPOINT 5.124-5.578)	1.00	LS
0315	03236	CRIBBING	1,600.00	SQFT
0320	21802EN	G/R STEEL W BEAM-S FACE (7 FT POST)	2,400.00	LF
0325	02569	DEMOBILIZATION	1.00	LS

CONTRACT ID: 212434

118GR21P089-FD04

MP11810642102

MEADOW CREEK ROAD (KY 1064) FROM ELLIOTT ROAD EXTENDING NORTH 1,370 FEET NORTH OF HARMON LANE GUARDRAIL, A DISTANCE OF .44 MILES.

Project Line No	Bid Code	DESCRIPTION	Quantity	Unit
0125	00001	DGA BASE	1,000.00	TON
0130	01987	DELINEATOR FOR GUARDRAIL BI DIRECTIONAL WHITE	50.00	EACH
0135	02360	GUARDRAIL TERMINAL SECTION NO 1	2.00	EACH
0140	02367	GUARDRAIL END TREATMENT TYPE 1	2.00	EACH
0145	02371	GUARDRAIL END TREATMENT TYPE 7	1.00	EACH
0150	02391	GUARDRAIL END TREATMENT TYPE 4A	1.00	EACH
0155	02399	EXTRA LENGTH GUARDRAIL POST - (9 FOOT)	375.00	EACH
0160	02562	TEMPORARY SIGNS	200.00	SQFT
0165	02650	MAINTAIN & CONTROL TRAFFIC - (KY 1064 MILEPOINT 14.776-15-215)	1.00	LS
0170	03236	CRIBBING	6,000.00	SQFT
0175	21802EN	G/R STEEL W BEAM-S FACE (7 FT POST)	2,337.50	LF
0180	02569	DEMOBILIZATION	1.00	LS

**GUARDRAIL SUMMARY
KY 26 MILEPOINT 0.309-0.470**

NEW GUARDRAIL						REMOVE GUARDRAIL					
LANE	END TREAT.	BEGIN MILEPOINT	END MILEPOINT	END TREAT.	LIN FEET	REMARKS	LANE	BEGIN MILEPOINT	END MILEPOINT	LIN FEET	REMARKS
SB	Radius & Term Sect No. 1	0.309	0.470	Radius & Term Sect No. 1	862.5	Cribbing					
TOTALS					862.5					0.0	

End Treatment Type 1 0
 End Treatment Type 3 0
 End Treatment Type 4A 0
 End Treatment Type 7 0
 Terminal Section No. 1 2

GUARDRAIL SUMMARY

KY 26 MILEPOINT 0.481-0.812

NEW GUARDRAIL						REMOVE GUARDRAIL					
LANE	END TREAT.	BEGIN MILEPOINT	END MILEPOINT	END TREAT.	LIN FEET	REMARKS	LANE	BEGIN MILEPOINT	END MILEPOINT	LIN FEET	REMARKS
SB	Type 4A	0.481	0.812	Radius & Term Sect No. 1	1,762.5	Cribbing				0.0	
TOTALS					1,762.5						

- End Treatment Type 1 0
- End Treatment Type 3 0
- End Treatment Type 4A 1
- End Treatment Type 7 0
- Terminal Section No. 1 1

GUARDRAIL SUMMARY
KY 26 0.900-0.924

NEW GUARDRAIL										REMOVE GUARDRAIL			
LANE	END TREAT.	BEGIN MILEPOINT	END MILEPOINT	END TREAT.	Bridge Guardrail Case 1	Guardrail Single Face A	Guardrail	REMARKS	LANE	BEGIN MILEPOINT	END MILEPOINT	LN FEET	REMARKS
NB	Radius & Term Sect No. 1	0.900	0.924	Radius & Type 7	25.0	50.0	325.0						
SB	Type 4A	0.900	0.924	Radius & Term Sect No. 1	25.0	50.0	62.5						
TOTALS					50.0	100.0	387.5				0.0		

End Treatment Type 1 0
 End Treatment Type 3 0
 End Treatment Type 4A 1
 End Treatment Type 7 1
 Terminal Section No. 1 2

GUARDRAIL SUMMARY KY 779

NEW GUARDRAIL						REMOVE GUARDRAIL					
LANE	END TREAT.	BEGIN MILEPOINT	END MILEPOINT	END TREAT.	LIN FEET	REMARKS	LANE	BEGIN MILEPOINT	END MILEPOINT	LIN FEET	REMARKS
EB	Type 1	9.861	9.922	Type 4A	325.0	Cribbing					
EB	Type 1	10.013	10.110	Radius & Term Sect No. 1	512.5	Cribbing					
TOTALS					837.5					0.0	

End Treatment Type 1 2
 End Treatment Type 3 0
 End Treatment Type 4A 1
 End Treatment Type 7 0
 Terminal Section No. 1 1

**GUARDRAIL SUMMARY KY 1064
MILEPOINT 5.124-5.578**

NEW GUARDRAIL						REMOVE GUARDRAIL					
LANE	END TREAT.	BEGIN MILEPOINT	END MILEPOINT	END TREAT.	LIN FEET	REMARKS	LANE	BEGIN MILEPOINT	END MILEPOINT	LIN FEET	REMARKS
NB	Radius & Tie to Existing	5.124	5.578	Type 4A	2,400.0		KY 92	20.880			Remove End Treatment
TOTALS					2,400.0						

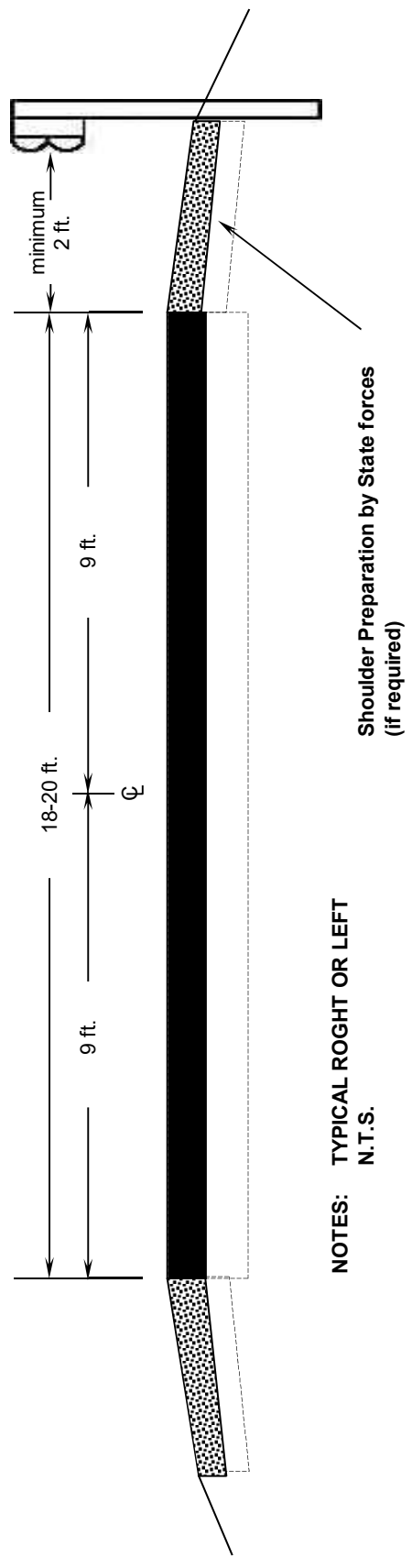
End Treatment Type 1 0
 End Treatment Type 3 0
 End Treatment Type 4A 1
 End Treatment Type 7 0
 Terminal Section No. 1 0

**GUARDRAIL SUMMARY Ky 1064
MILEPOINT 14.775-15-215**

NEW GUARDRAIL						REMOVE GUARDRAIL					
LANE	END TREAT.	BEGIN MILEPOINT	END MILEPOINT	END TREAT.	LIN FEET	REMARKS	LANE	BEGIN MILEPOINT	END MILEPOINT	LIN FEET	REMARKS
SB	Type 4A	14.775	14.956	Type 1	962.5	Cribbing					
SB	Type 7	14.956	15.133	Radius & Term Sect No. 1	937.5	Cribbing					
SB	Radius & Term Sect No. 1	15.133	15.215	Type 1	437.5	Cribbing					
TOTALS					2,337.5					0.0	

- End Treatment Type 1 2
- End Treatment Type 3 0
- End Treatment Type 4A 1
- End Treatment Type 7 1
- Terminal Section No. 1 2

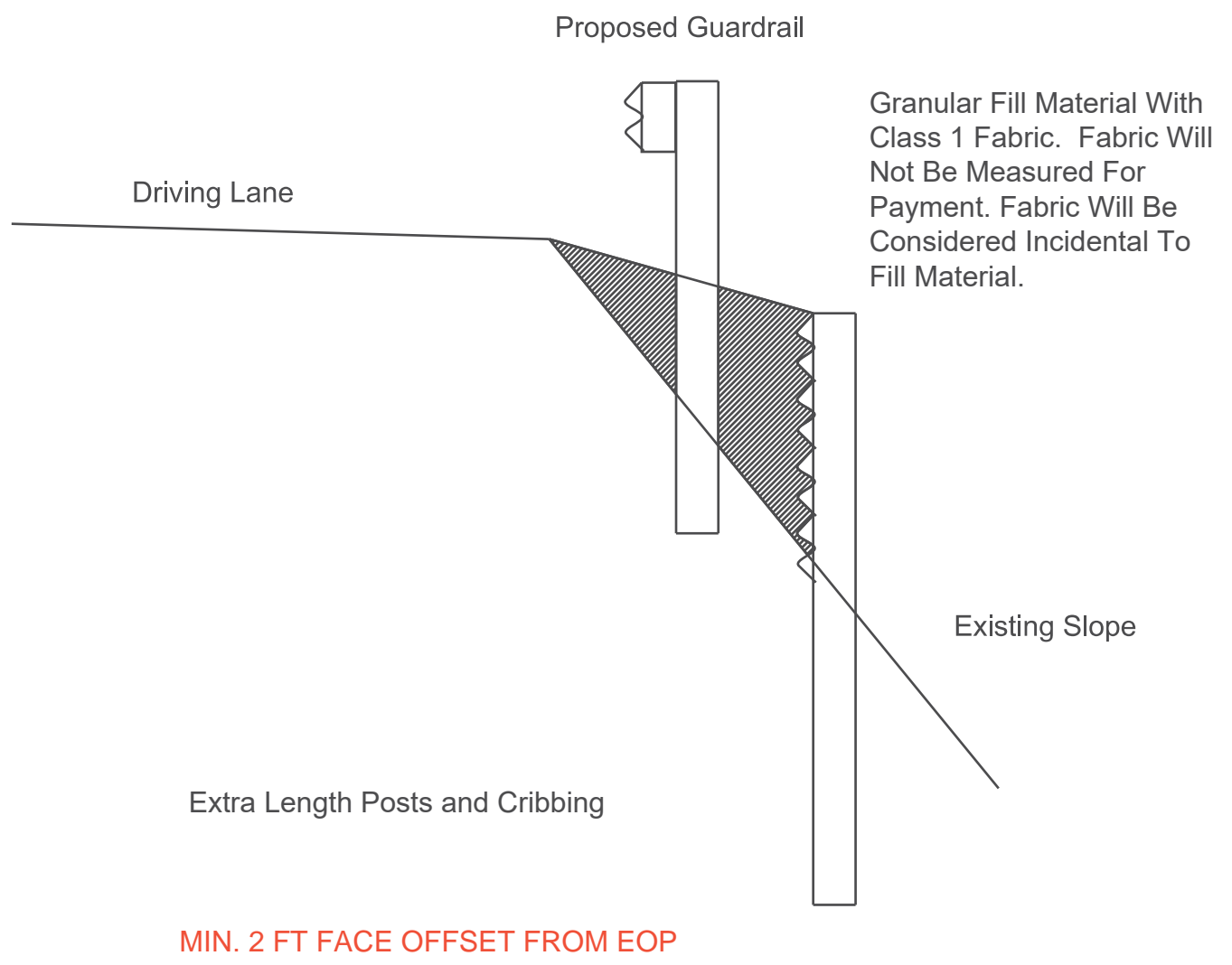
TYPICAL SECTION

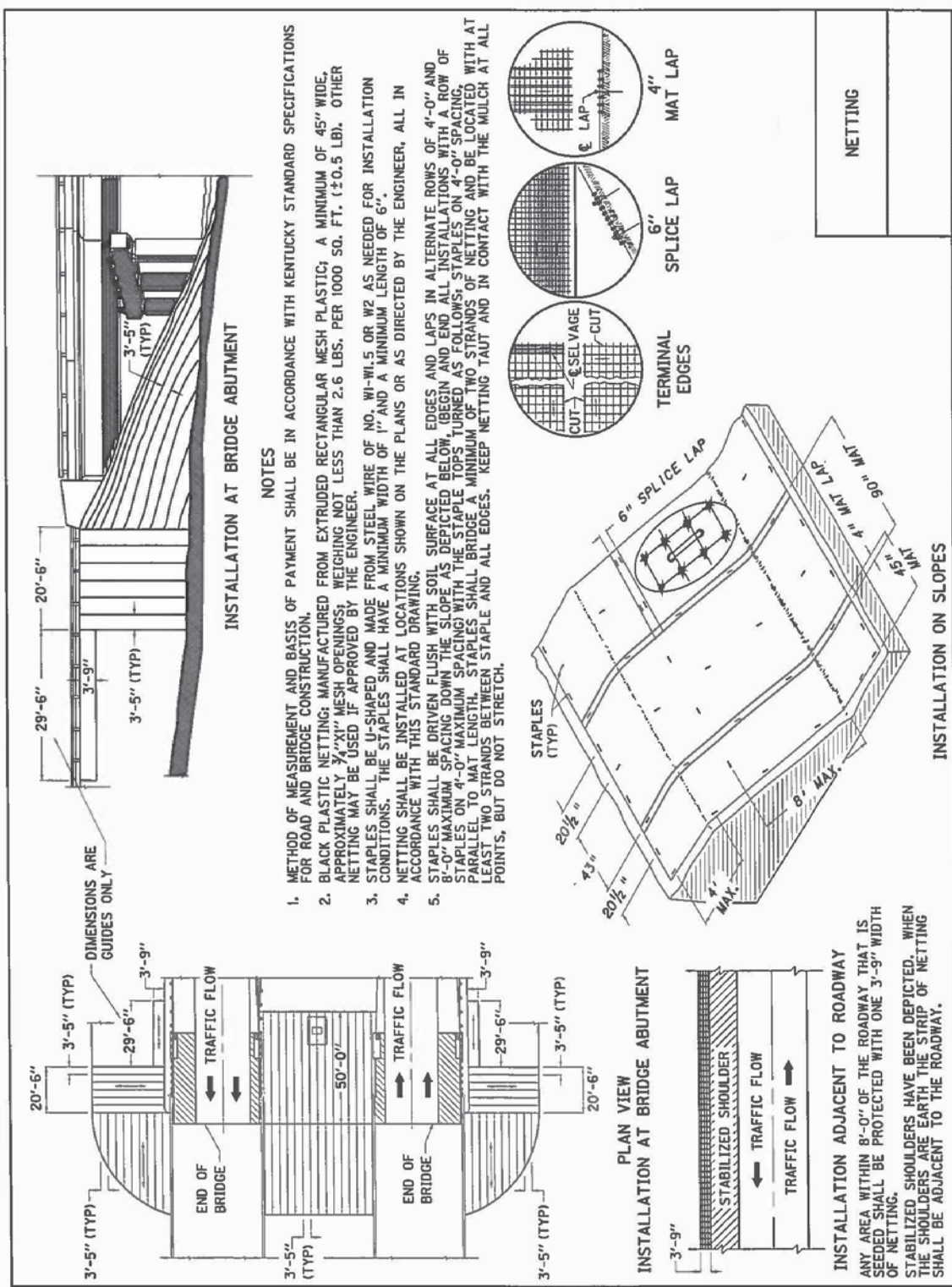


**NOTES: TYPICAL ROUGHT OR LEFT
N.T.S.**

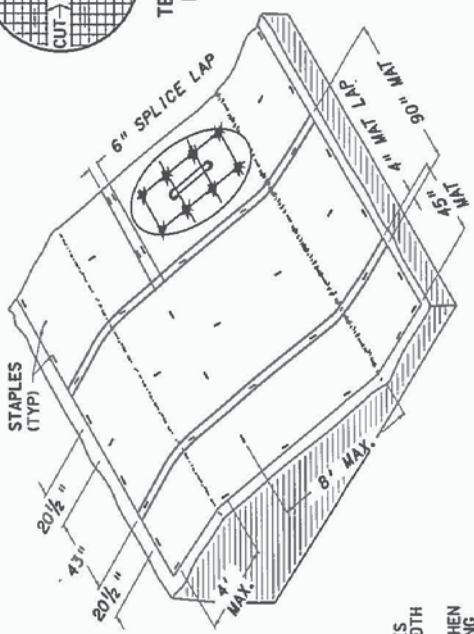
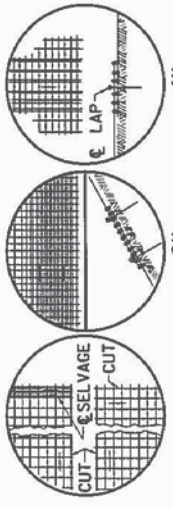
**Shoulder Preparation by State forces
(if required)**

Cribbing Detail





- NOTES**
1. METHOD OF MEASUREMENT AND BASIS OF PAYMENT SHALL BE IN ACCORDANCE WITH KENTUCKY STANDARD SPECIFICATIONS FOR ROAD AND BRIDGE CONSTRUCTION.
 2. BLACK PLASTIC NETTING; MANUFACTURED FROM EXTRUDED RECTANGULAR MESH PLASTIC; A MINIMUM OF 45" WIDE, APPROXIMATELY 3/4"x1" MESH OPENINGS; WEIGHING NOT LESS THAN 2.6 LBS. PER 1000 SQ. FT. (+/-0.5 LB). OTHER NETTING MAY BE USED IF APPROVED BY THE ENGINEER.
 3. STAPLES SHALL BE U-SHAPED AND MADE FROM STEEL WIRE OF NO. W1-W1.5 OR W2 AS NEEDED FOR INSTALLATION CONDITIONS. THE STAPLES SHALL HAVE A MINIMUM WIDTH OF 1" AND A MINIMUM LENGTH OF 6".
 4. NETTING SHALL BE INSTALLED AT LOCATIONS SHOWN ON THE PLANS OR AS DIRECTED BY THE ENGINEER, ALL IN ACCORDANCE WITH THIS STANDARD DRAWING.
 5. STAPLES SHALL BE DRIVEN FLUSH WITH SOIL SURFACE AT ALL EDGES AND LAPS IN ALTERNATE ROWS OF 4'-0" AND 8'-0" MAXIMUM SPACING DOWN THE SLOPE AS DEPICTED BELOW. (BEGIN AND END ALL INSTALLATIONS WITH A ROW OF STAPLES ON 4'-0" MAXIMUM SPACING) WITH THE STAPLE TOPS TURNED AS FOLLOWS; STAPLES ON 4'-0" SPACING PARALLEL TO MAT LENGTH. STAPLES SHALL BRIDGE A MINIMUM OF TWO STRANDS OF NETTING AND BE LOCATED WITH AT LEAST TWO STRANDS BETWEEN STAPLE AND ALL EDGES. KEEP NETTING TAUT AND IN CONTACT WITH THE MULCH AT ALL POINTS, BUT DO NOT STRETCH.



INSTALLATION ADJACENT TO ROADWAY
ANY AREA WITHIN 8'-0" OF THE ROADWAY THAT IS SEEDED SHALL BE PROTECTED WITH ONE 3'-9" WIDTH OF NETTING.
STABILIZED SHOULDERS HAVE BEEN DEPICTED. WHEN THE SHOULDERS ARE EARTH THE STRIP OF NETTING SHALL BE ADJACENT TO THE ROADWAY.

**GUARDRAIL DELIVERY VERIFICATION SHEET
CONTRACT ID 212434**

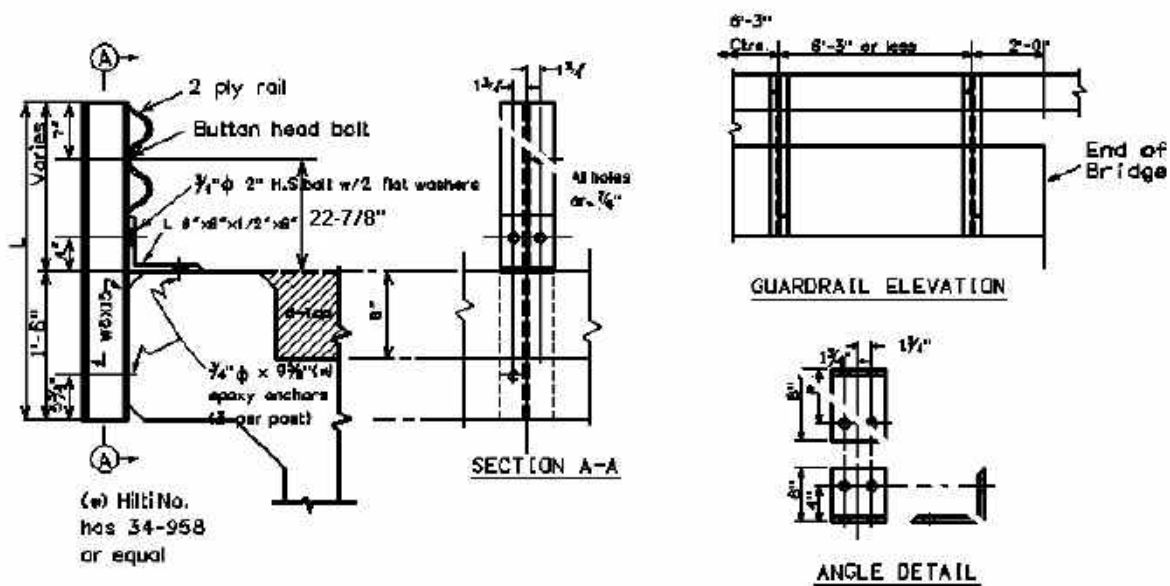
DESCRIPTION	UNIT	QUANTITIES	
		FIELD VERIFIED	DELIVERED
GUARDRAIL STEEL W BEAM	LF		
GUARDRAIL STEEL THRIE BEAM	LF		
GUARDRAIL THRIE BEAM-W BEAM CONNECTOR	EA		
GUARDRAIL TERMINAL SECTION No. 1	EA		
GUARDRAIL TERMINAL SECTION No. 2	EA		
GUARDRAIL TERMINAL SECTION No. 3	EA		
GUARDRAIL THRIE BEAM TERMINAL SECTION	EA		
CRASH CUSHION TYPE VI	EA		
CRASH CUSHION TYPE VII	EA		
CRASH CUSHION TYPE IX/IX-A	EA		
GUARDRAIL END TREATMENT TYPE 1	EA		
GUARDRAIL END TREATMENT TYPE 2A	EA		
GUARDRAIL END TREATMENT TYPE 3	EA		
GUARDRAIL END TREATMENT TYPE 4A	EA		
GUARDRAIL END TREATMENT TYPE 7	EA		
GUARDRAIL CONNECTOR TO BRIDGE END TYPE A/A-1	EA		
GUARDRAIL CONNECTOR TO BRIDGE END TYPE E/E-1	EA		
GUARDRAIL CONNECTOR TO BRIDGE END TYPE C	EA		
GUARDRAIL CONNECTOR TO BRIDGE END TYPE D	EA		
GUARDRAIL CONNECTOR TO CONC MED PIER	EA		
GUARDRAIL CONNECTOR TO CONC SHLDR PIER	EA		
GUARDRAIL POSTS-STEEL	EA		
GUARDRAIL OFFSET BLOCK TYPE 4	EA		
GUARDRAIL OFFSET BLOCK STEEL	EA		
GUARDRAIL OFFSET BLOCK THRIE BEAM	EA		
GUARDRAIL BACK-UP PLATE W BEAM	EA		
GUARDRAIL BACK-UP PLATE THRIE BEAM	EA		
GUARDRAIL NUTS, BOLTS, & WASHERS	BAG		

NOTES:

1. Dispose of concrete foundations and timber posts off the Right-of-Way at sites obtained by the Contractor at no additional cost to the Department.
2. Deliver salvageable removed guardrail system components, other than concrete foundations and timber posts, to the Department's Whitley County maintenance facility. Dispose of components the Engineer deems unsalvageable.
3. Prior to removing the materials from the project site, obtain the Contractor's and Engineer's representative's signatures.
4. Upon delivery, obtain the Whitley County Facility's representative's signature and submit this completed form to the Engineer.
5. The Department will not measure removed guardrail components for payment without completed delivery verification sheet(s).

	PRINTED NAME	SIGNATURE	DATE
RESIDENT ENGINEER'S REPRESENTATIVE	_____	_____	_____
CONTRACTOR'S REPRESENTATIVE	_____	_____	_____
WHITLEY COUNTY FACILITY'S REPRESENTATIVE	_____	_____	_____

GUARDRAIL ON BRIDGE, CASE I BLACKTOP FLUSH WITH CURB OR ABOVE



Bridge MP	D =	W =	L =	No. Posts	LF of 2 PLY Rail
0.915	0	10	6	10	50

L = Length of Guardrail Post

D = Curb Height

W = Width of Bridge Curb

WARRANTS: When guardrail can be bolted to the back of the bridge curb, and where the bridge surface is flush with the curb top, and where the clear distance between the faces of the guardrail is less than 20 Feet, remove existing concrete and/or guardrail bridge rail and use Case I Bridge Guardrail.

- NOTES:**
1. If asphalt paving is included in the Contract and the dimension from the top of the existing riding surface to the top of the curb is 2 inches or less, pave the surface flush to the top of the curb, and use Case I Bridge Guardrail.
 2. Do not use Case I Bridge Guardrail if existing pavement is not flush with the pavement and asphalt paving is not included in the Contract or if the dimension from top of the existing riding surface to the top of the curb is greater than 2 inches.

PART II
SPECIFICATIONS AND STANDARD DRAWINGS

SPECIFICATIONS REFERENCE

Any reference in the plans or proposal to previous editions of the *Standard Specifications for Road and Bridge Construction* and *Standard Drawings* are superseded by *Standard Specifications for Road and Bridge Construction, Edition of 2019* and *Standard Drawings, Edition of 2020*.

SUPPLEMENTAL SPECIFICATIONS

The contractor shall use the Supplemental Specifications that are effective at the time of letting.
The Supplemental Specifications can be found at the following link:

<http://transportation.ky.gov/Construction/Pages/Kentucky-Standard-Specifications.aspx>

2020 KENTUCKY STANDARD DRAWINGS

TYPICAL GUARDRAIL INSTALLATIONS	RBI-001-12
TYPICAL GUARDRAIL INSTALLATIONS	RBI-002-07
INSTALLATION OF GUARDRAIL END TREATMENT TYPE 1	RBI-004-06
STEEL BEAM GUARDRAIL (“W”-BEAM).....	RBR-001-13
GUARDRAIL COMPONENTS.....	RBR-005-11
GUARDRAIL TERMINAL SECTIONS	RBR-010-06
STEEL GUARDRAIL POSTS.....	RBR-015-06
GUARDRAIL SYSTEM TRANSITION	RBR-018
GUARDRAIL END TREATMENT TYPE 1	RBR-020-07
GUARDRAIL END TREATMENT TYPE 4A.....	RBR-035-12
GUARDRAIL END TREATMENT TYPE 7.....	BR-050-08
GUARDRAIL END TREATMENT TYPE 7 ALTERNATE ANCHOR	RBR-051-01
DELINEATORS FOR GUARDRAIL.....	RBR-055-01
TEMPORARY SILT FENCE.....	RDX-210-03
TEMPORARY SILT FENCE WITH WOVEN WIRE FENCE FABRIC.....	RDX-215-01
SILT TRAP - TYPE A.....	RDX-220-05
SILT TRAP - TYPE B.....	RDX-225-01
SILT TRAP - TYPE C.....	RDX-230-01
CURVE WIDENING AND SUPERELEVATION TRANSITIONS	RGS-001-07
MISCELLANEOUS STANDARDS.....	RGX-001-06
APPROACHES, ENTRANCES, AND MAIL BOX TURNOUT	RPM-110-07
LANE CLOSURE TWO-LANE HIGHWAY	TTC-100-05
SHOULDER CLOSURE.....	TTC-135-03
PAVEMENT CONDITION WARNING SIGNS.....	TTD-125-03
RAILING SYSTEM TYPE IIGUARDRAIL TREATMENT	BHS-007-08

PART III

EMPLOYMENT, WAGE AND RECORD REQUIREMENTS

**TRANSPORTATION CABINET
DEPARTMENT OF HIGHWAYS**

**LABOR AND WAGE REQUIREMENTS
APPLICABLE TO OTHER THAN FEDERAL-AID SYSTEM PROJECTS**

- I. Application
- II. Nondiscrimination of Employees (KRS 344)

I. APPLICATION

1. These contract provisions shall apply to all work performed on the contract by the contractor with his own organization and with the assistance of workmen under his immediate superintendence and to all work performed on the contract by piecework, station work or by subcontract. The contractor's organization shall be construed to include only workmen employed and paid directly by the contractor and equipment owned or rented by him, with or without operators.

2. The contractor shall insert in each of his subcontracts all of the stipulations contained in these Required Provisions and such other stipulations as may be required.

3. A breach of any of the stipulations contained in these Required Provisions may be grounds for termination of the contract.

3. If the contractor is in control of apprenticeship or other training or retraining, including on-the-job training programs, he shall not discriminate against an individual because of his race, color, religion, national origin, sex, disability or age forty (40) and over, in admission to, or employment in any program established to provide apprenticeship or other training.

4. The contractor will send to each labor union or representative of workers with which he has a collective bargaining agreement or other contract or understanding, a notice to be provided advising the said labor union or workers' representative of the contractor's commitments under this section, and shall post copies of the notice in conspicuous places available to employees and applicants for employment. The contractor will take such action with respect to any subcontract or purchase order as the administrating agency may direct as a means of enforcing such provisions, including sanctions for non-compliance.

Revised: January 25, 2017

II. NONDISCRIMINATION OF EMPLOYEES

**AN ACT OF THE KENTUCKY
GENERAL ASSEMBLY TO PREVENT
DISCRIMINATION IN EMPLOYMENT
KRS CHAPTER 344
EFFECTIVE JUNE 16, 1972**

The contract on this project, in accordance with KRS Chapter 344, provides that during the performance of this contract, the contractor agrees as follows:

1. The contractor shall not fail or refuse to hire, or shall not discharge any individual, or otherwise discriminate against an individual with respect to his compensation, terms, conditions, or privileges of employment, because of such individual's race, color, religion, national origin, sex, disability or age (forty and above); or limit, segregate, or classify his employees in any way which would deprive or tend to deprive an individual of employment opportunities or otherwise adversely affect his status as an employee, because of such individual's race, color, religion, national origin, sex, disability or age forty (40) and over. The contractor agrees to post in conspicuous places, available to employees and applicants for employment, notices to be provided setting forth the provisions of this nondiscrimination clause.

2. The contractor shall not print or publish or cause to be printed or published a notice or advertisement relating to employment by such an employer or membership in or any classification or referral for employment by the employment agency, indicating any preference, limitation, specification, or discrimination, based on race, color, religion, national origin, sex, or age forty (40) and over, or because the person is a qualified individual with a disability, except that such a notice or advertisement may indicate a preference, limitation, or specification based on religion, national origin, sex, or age forty (40) and over, or because the person is a qualified individual with a disability, when religion, national origin, sex, or age forty (40) and over, or because the person is a qualified individual with a disability, is a bona fide occupational qualification for employment.

EXECUTIVE BRANCH CODE OF ETHICS

In the 1992 regular legislative session, the General Assembly passed and Governor Brereton Jones signed Senate Bill 63 (codified as KRS 11A), the Executive Branch Code of Ethics, which states, in part:

KRS 11A.040 (7) provides:

No present or former public servant shall, within six (6) months following termination of his office or employment, accept employment, compensation, or other economic benefit from any person or business that contracts or does business with, or is regulated by, the state in matters in which he was directly involved during the last thirty-six (36) months of his tenure. This provision shall not prohibit an individual from returning to the same business, firm, occupation, or profession in which he was involved prior to taking office or beginning his term of employment, or for which he received, prior to his state employment, a professional degree or license, provided that, for a period of six (6) months, he personally refrains from working on any matter in which he was directly involved during the last thirty-six (36) months of his tenure in state government. This subsection shall not prohibit the performance of ministerial functions, including but not limited to filing tax returns, filing applications for permits or licenses, or filing incorporation papers, nor shall it prohibit the former officer or public servant from receiving public funds disbursed through entitlement programs.

KRS 11A.040 (9) states:

A former public servant shall not represent a person or business before a state agency in a matter in which the former public servant was directly involved during the last thirty-six (36) months of his tenure, for a period of one (1) year after the latter of:

- a) The date of leaving office or termination of employment; or
- b) The date the term of office expires to which the public servant was elected.

This law is intended to promote public confidence in the integrity of state government and to declare as public policy the idea that state employees should view their work as a public trust and not as a way to obtain private benefits.

If you have worked for the executive branch of state government within the past six months, you may be subject to the law's prohibitions. The law's applicability may be different if you hold elected office or are contemplating representation of another before a state agency.

Also, if you are affiliated with a firm which does business with the state and which employs former state executive-branch employees, you should be aware that the law may apply to them.

In case of doubt, the law permits you to request an advisory opinion from the Executive Branch Ethics Commission, 3 Fountain Place, Frankfort, Kentucky 40601; telephone (502) 564-7954.

Revised: January 27, 2017

Kentucky Equal Employment Opportunity Act of 1978

The requirements of the Kentucky Equal Employment Opportunity Act of 1978 (KRS 45.560-45.640) shall apply to this Contract. The apparent low Bidder will be required to submit EEO forms to the Division of Construction Procurement, which will then forward to the Finance and Administration Cabinet for review and approval. No award will become effective until all forms are submitted and EEO/CC has certified compliance. The required EEO forms are as follows:

- EEO-1: Employer Information Report
- Affidavit of Intent to Comply
- Employee Data Sheet
- Subcontractor Report

These forms are available on the Finance and Administration's web page under ***Vendor Information, Standard Attachments and General Terms*** at the following address:
<https://www.eProcurement.ky.gov>.

Bidders currently certified as being in compliance by the Finance and Administration Cabinet may submit a copy of their approval letter in lieu of the referenced EEO forms.

For questions or assistance please contact the Finance and Administration Cabinet by email at **finance.contractcompliance@ky.gov** or by phone at 502-564-2874.

EMPLOYEE RIGHTS UNDER THE FAIR LABOR STANDARDS ACT

THE UNITED STATES DEPARTMENT OF LABOR WAGE AND HOUR DIVISION

FEDERAL MINIMUM WAGE

\$7.25

 PER HOUR

BEGINNING JULY 24, 2009

OVERTIME PAY At least 1½ times your regular rate of pay for all hours worked over 40 in a workweek.

CHILD LABOR An employee must be at least **16** years old to work in most non-farm jobs and at least **18** to work in non-farm jobs declared hazardous by the Secretary of Labor.

Youths **14** and **15** years old may work outside school hours in various non-manufacturing, non-mining, non-hazardous jobs under the following conditions:

No more than

- **3** hours on a school day or **18** hours in a school week;
- **8** hours on a non-school day or **40** hours in a non-school week.

Also, work may not begin before **7 a.m.** or end after **7 p.m.**, except from June 1 through Labor Day, when evening hours are extended to **9 p.m.** Different rules apply in agricultural employment.

TIP CREDIT Employers of “tipped employees” must pay a cash wage of at least \$2.13 per hour if they claim a tip credit against their minimum wage obligation. If an employee’s tips combined with the employer’s cash wage of at least \$2.13 per hour do not equal the minimum hourly wage, the employer must make up the difference. Certain other conditions must also be met.

ENFORCEMENT The Department of Labor may recover back wages either administratively or through court action, for the employees that have been underpaid in violation of the law. Violations may result in civil or criminal action.

Employers may be assessed civil money penalties of up to \$1,100 for each willful or repeated violation of the minimum wage or overtime pay provisions of the law and up to \$11,000 for each employee who is the subject of a violation of the Act’s child labor provisions. In addition, a civil money penalty of up to \$50,000 may be assessed for each child labor violation that causes the death or serious injury of any minor employee, and such assessments may be doubled, up to \$100,000, when the violations are determined to be willful or repeated. The law also prohibits discriminating against or discharging workers who file a complaint or participate in any proceeding under the Act.

ADDITIONAL INFORMATION

- Certain occupations and establishments are exempt from the minimum wage and/or overtime pay provisions.
- Special provisions apply to workers in American Samoa and the Commonwealth of the Northern Mariana Islands.
- Some state laws provide greater employee protections; employers must comply with both.
- The law requires employers to display this poster where employees can readily see it.
- Employees under 20 years of age may be paid \$4.25 per hour during their first 90 consecutive calendar days of employment with an employer.
- Certain full-time students, student learners, apprentices, and workers with disabilities may be paid less than the minimum wage under special certificates issued by the Department of Labor.

For additional information:



1-866-4-USWAGE

(1-866-487-9243)

TTY: 1-877-889-5627



WWW.WAGEHOUR.DOL.GOV

PART IV
INSURANCE

Refer to
Kentucky Standard Specifications for Road and Bridge Construction,
current edition

PART V
BID ITEMS

PROPOSAL BID ITEMS

212434

Page 1 of 1

Report Date 10/21/21

Section: 0001 - GUARDRAIL

LINE	BID CODE	ALT	DESCRIPTION	QUANTITY	UNIT	UNIT PRIC	FP	AMOUNT
0010	00001		DGA BASE	2,575.00	TON		\$	
0020	01987		DELINEATOR FOR GUARDRAIL BI DIRECTIONAL WHITE	184.00	EACH		\$	
0030	02355		GUARDRAIL-STEEL W BEAM-S FACE A	100.00	LF		\$	
0040	02360		GUARDRAIL TERMINAL SECTION NO 1	8.00	EACH		\$	
0050	02367		GUARDRAIL END TREATMENT TYPE 1	4.00	EACH		\$	
0060	02371		GUARDRAIL END TREATMENT TYPE 7	2.00	EACH		\$	
0070	02391		GUARDRAIL END TREATMENT TYPE 4A	5.00	EACH		\$	
0080	02396		REMOVE GUARDRAIL END TREATMENT	1.00	EACH		\$	
0090	02399		EXTRA LENGTH GUARDRAIL POST (9 FOOT)	1,006.00	EACH		\$	
0100	02562		TEMPORARY SIGNS	1,100.00	SQFT		\$	
0110	02650		MAINTAIN & CONTROL TRAFFIC (KY 1064 MILEPOINT 14.776-15-215)	1.00	LS		\$	
0120	02650		MAINTAIN & CONTROL TRAFFIC (KY 1064 MILEPOINT 5.124-5.578)	1.00	LS		\$	
0130	02650		MAINTAIN & CONTROL TRAFFIC (KY 26 MILEOIIINT 0.309-0.470)	1.00	LS		\$	
0140	02650		MAINTAIN & CONTROL TRAFFIC (KY 26 MILEOIIINT 0.481-0.812)	1.00	LS		\$	
0150	02650		MAINTAIN & CONTROL TRAFFIC (KY 26 MILEOIIINT 0.900-924)	1.00	LS		\$	
0160	02650		MAINTAIN & CONTROL TRAFFIC (KY 779)	1.00	LS		\$	
0170	03236		CRIBBING	12,150.00	SQFT		\$	
0180	08805		GUARDRAIL-BRIDGE CASE I	50.00	LF		\$	
0190	21802EN		G/R STEEL W BEAM-S FACE (7 FT POST)	8,587.50	LF		\$	

Section: 0002 - DEMOBILIZATION

LINE	BID CODE	ALT	DESCRIPTION	QUANTITY	UNIT	UNIT PRIC	FP	AMOUNT
0200	02569		DEMOBILIZATION	1.00	LS		\$	