



**TRANSPORTATION CABINET**

Frankfort, Kentucky 40622  
www.transportation.ky.gov/

**Steven L. Beshear**  
Governor

**Michael W. Hancock, P.E.**  
Secretary

September 22, 2015

CALL NO. 402  
CONTRACT ID NO. 152608  
ADDENDUM # 3

Subject: Pulaski County, 100GR15M067-FE02  
Letting September 25, 2015

- (1) Revised - Material Summary - Pages 24-25 of 70
- (2) Revised - Drawings - Pages 26 & 29 of 70
- (3) Deleted - Page 30 of 70
- (4) Revised - Bid Items - Page 70 of 70

Proposal revisions are available at <http://transportation.ky.gov/Construction-Procurement/>.

If you have any questions, please contact us at 502-564-3500.

Sincerely,

A handwritten signature in cursive script that reads "Rachel Mills".

Rachel Mills, P.E.  
Director  
Division of Construction Procurement

RM:ks  
Enclosures



An Equal Opportunity Employer M/F/D

# MATERIAL SUMMARY

**CONTRACT ID: 152608**

**100GR15M067 - FE02**

**MB10000701501**

KY 70 (MP 0.532). BRIDGE OVER FISHING CREEK BRIDGE DECK RESTORATION & WATERPROOFING, A DISTANCE OF .04 MILES.

Project Line No	Bid Code	DESCRIPTION	Quantity	Unit
0190	02562	TEMPORARY SIGNS	149.00	SQFT
0195	02650	MAINTAIN & CONTROL TRAFFIC - APPLIES TO 100B00060N	1.00	LS
0200	02653	LANE CLOSURE	2.00	EACH
0210	03299	ARMORED EDGE FOR CONCRETE	48.00	LF
0215	03300	ELIMINATE TRANSVERSE JOINT	112.00	LF
0220	03304	BRIDGE OVERLAY APPROACH PAVEMENT	266.67	SQYD
0225	04933	TEMP SIGNAL 2 PHASE - (REVISED: 9-15-15)	1.00	EACH
0230	06514	PAVE STRIPING-PERM PAINT-4 IN	632.70	LF
0235	06549	PAVE STRIPING-TEMP REM TAPE-B	500.00	LF
0240	06550	PAVE STRIPING-TEMP REM TAPE-W	1,000.00	LF
0245	06551	PAVE STRIPING-TEMP REM TAPE-Y	2,000.00	LF
0250	08504	EPOXY SAND SLURRY	161.90	SQYD
0255	08510	REM EPOXY BIT FOREIGN OVERLAY	507.00	SQYD
0260	08526	CONC CLASS M FULL DEPTH PATCH	10.00	CUYD
0265	08534	CONCRETE OVERLAY-LATEX	21.10	CUYD
0270	08549	BLAST CLEANING	669.00	SQYD
0275	24094EC	PARTIAL DEPTH PATCHING	17.60	CUYD
0280	02569	DEMOBILIZATION	1.00	LS
0285	23879EC	ACRYLIC GLASS - (REVISED: 9-21-15)	62.50	SQFT
0290	08150	STEEL REINFORCEMENT	1,469.60	LB

# MATERIAL SUMMARY

**CONTRACT ID: 152608**

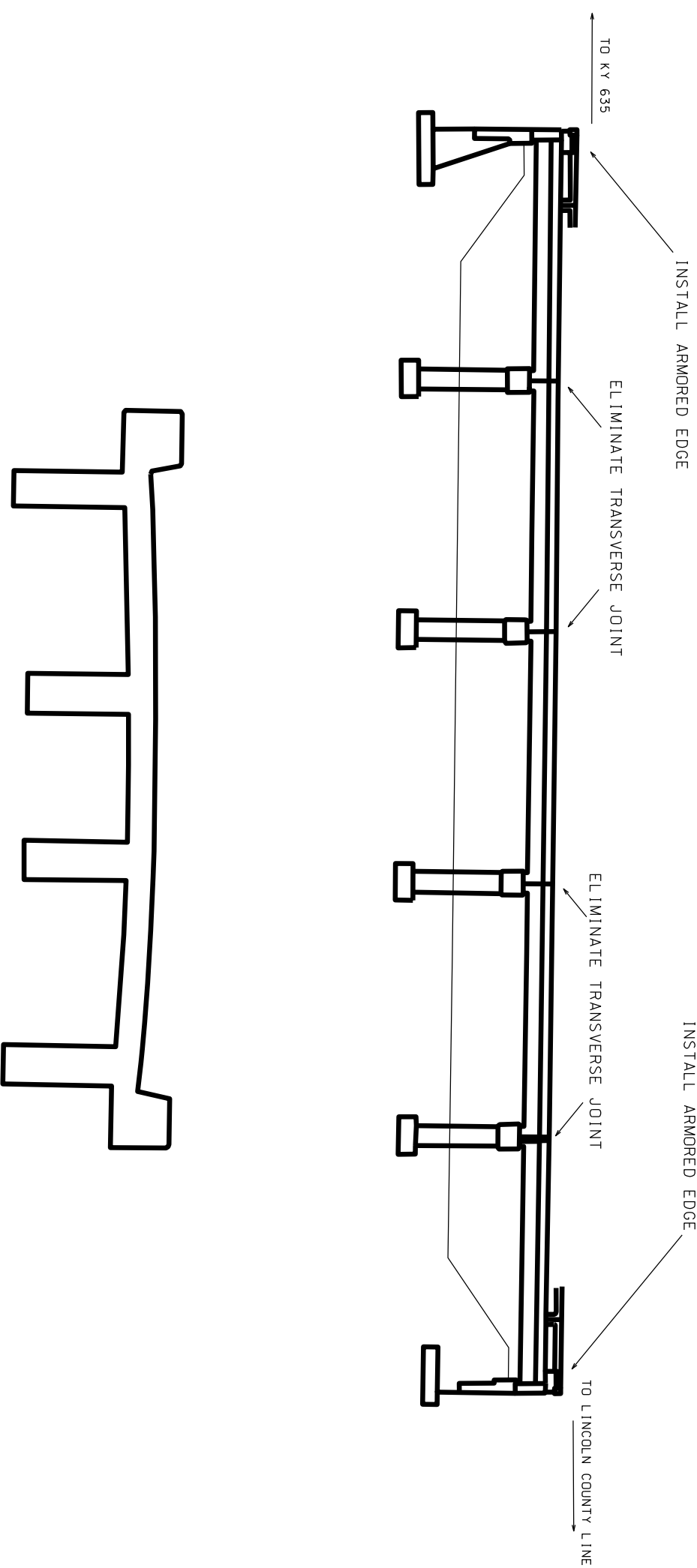
**100GR15M067 - FE02**

**MB10000801501**

KY 80 (MP 5.827). BRIDGE OVER LOUIS B NUNN PKWY BRIDGE DECK RESTORATION & WATERPROOFING, A DISTANCE OF .05 MILES.

Project Line No	Bid Code	DESCRIPTION	Quantity	Unit
0005	02562	TEMPORARY SIGNS	149.00	SQFT
0010	02650	MAINTAIN & CONTROL TRAFFIC - APPLIES TO 100B00067L	1.00	LS
0015	02653	LANE CLOSURE	2.00	EACH
0020	03296	EXPAN JOINT REPLACE 2 1/2 IN	55.60	LF
0025	03299	ARMORED EDGE FOR CONCRETE	55.60	LF
0030	03304	BRIDGE OVERLAY APPROACH PAVEMENT	533.33	SQYD
0035	04934	TEMP SIGNAL MULTI PHASE	1.00	EACH
0040	06514	PAVE STRIPING-PERM PAINT-4 IN	472.00	LF
0045	06549	PAVE STRIPING-TEMP REM TAPE-B	500.00	LF
0050	06550	PAVE STRIPING-TEMP REM TAPE-W	1,000.00	LF
0055	06551	PAVE STRIPING-TEMP REM TAPE-Y	2,000.00	LF
0060	08150	STEEL REINFORCEMENT	267.20	LB
0065	08504	EPOXY SAND SLURRY	60.40	SQYD
0070	08534	CONCRETE OVERLAY-LATEX	30.20	CUYD
0075	08549	BLAST CLEANING	786.00	SQYD
0080	08551	MACHINE PREP OF SLAB	725.00	SQYD
0085	24094EC	PARTIAL DEPTH PATCHING	20.10	CUYD
0090	02569	DEMOBILIZATION	1.00	LS
0095	02562	TEMPORARY SIGNS	149.00	SQFT
0100	02650	MAINTAIN & CONTROL TRAFFIC - APPLIES TO 100B00067R	1.00	LS
0105	02653	LANE CLOSURE	2.00	EACH
0110	03296	EXPAN JOINT REPLACE 2 1/2 IN	65.10	LF
0115	03299	ARMORED EDGE FOR CONCRETE	65.10	LF
0120	03304	BRIDGE OVERLAY APPROACH PAVEMENT	533.33	SQYD
0130	04934	TEMP SIGNAL MULTI PHASE	1.00	EACH
0135	06514	PAVE STRIPING-PERM PAINT-4 IN	472.00	LF
0140	06549	PAVE STRIPING-TEMP REM TAPE-B	500.00	LF
0145	06550	PAVE STRIPING-TEMP REM TAPE-W	1,000.00	LF
0150	06551	PAVE STRIPING-TEMP REM TAPE-Y	2,000.00	LF
0155	08150	STEEL REINFORCEMENT	267.20	LB
0160	08504	EPOXY SAND SLURRY	60.40	SQYD
0165	08534	CONCRETE OVERLAY-LATEX	35.40	CUYD
0170	08549	BLAST CLEANING	910.00	SQYD
0175	08551	MACHINE PREP OF SLAB	849.00	SQYD
0180	24094EC	PARTIAL DEPTH PATCHING	23.60	CUYD
0185	02569	DEMOBILIZATION	1.00	LS

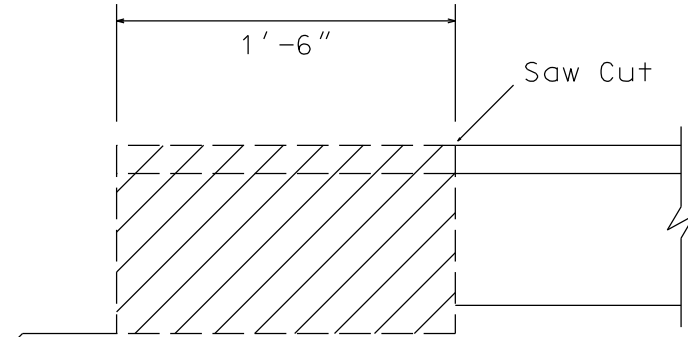
100B000060N  
(5) 35' R.C.D.G. SPANS  
190' TOTAL - NO SKEW



24' CURB TO CURB

# ARMORED EDGE DETAIL

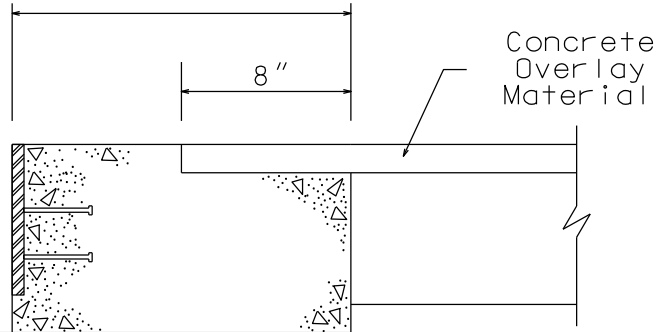
Remove X-Hatched Areas of  
Concrete & Expansion Device



## EXISTING SECTION

Pay Limits for "Armored  
Edge Replacement"

See Standard  
Drawing  
BJE-001-11



## PROPOSED SECTION

**PROPOSAL BID ITEMS**

Report Date 9/22/15

**Section: 0001 - BRIDGE**

LINE	BID CODE	ALT	DESCRIPTION	QUANTITY	UNIT	UNIT PRIC	FP	AMOUNT
0010	02562		TEMPORARY SIGNS	447.00	SQFT		\$	
0020	02650		MAINTAIN & CONTROL TRAFFIC APPLIES TO 100B00060N	1.00	LS		\$	
0030	02650		MAINTAIN & CONTROL TRAFFIC APPLIES TO 100B00067L	1.00	LS		\$	
0040	02650		MAINTAIN & CONTROL TRAFFIC APPLIES TO 100B00067R	1.00	LS		\$	
0050	02653		LANE CLOSURE	6.00	EACH		\$	
0070	03296		EXPAN JOINT REPLACE 2 1/2 IN	120.70	LF		\$	
0080	03299		ARMORED EDGE FOR CONCRETE	168.70	LF		\$	
0090	03300		ELIMINATE TRANSVERSE JOINT	112.00	LF		\$	
0100	03304		BRIDGE OVERLAY APPROACH PAVEMENT	1,333.34	SQYD		\$	
0110	04933		TEMP SIGNAL 2 PHASE (REVISED: 9-15-15)	1.00	EACH		\$	
0120	04934		TEMP SIGNAL MULTI PHASE	2.00	EACH		\$	
0130	06514		PAVE STRIPING-PERM PAINT-4 IN	1,576.70	LF		\$	
0140	06549		PAVE STRIPING-TEMP REM TAPE-B	1,500.00	LF		\$	
0150	06550		PAVE STRIPING-TEMP REM TAPE-W	3,000.00	LF		\$	
0160	06551		PAVE STRIPING-TEMP REM TAPE-Y	6,000.00	LF		\$	
0170	08150		STEEL REINFORCEMENT	2,004.00	LB		\$	
0180	08504		EPOXY SAND SLURRY	282.70	SQYD		\$	
0190	08510		REM EPOXY BIT FOREIGN OVERLAY	507.00	SQYD		\$	
0200	08526		CONC CLASS M FULL DEPTH PATCH	10.00	CUYD		\$	
0210	08534		CONCRETE OVERLAY-LATEX	86.70	CUYD		\$	
0220	08549		BLAST CLEANING	2,365.00	SQYD		\$	
0230	08551		MACHINE PREP OF SLAB	1,574.00	SQYD		\$	
0240	23879EC		ACRYLIC GLASS (REVISED: 9-21-15)	62.50	SQFT		\$	
0250	24094EC		PARTIAL DEPTH PATCHING	61.30	CUYD		\$	

**Section: 0002 - DEMOBILIZATION**

LINE	BID CODE	ALT	DESCRIPTION	QUANTITY	UNIT	UNIT PRIC	FP	AMOUNT
0260	02569		DEMOBILIZATION	1.00	LS		\$	