



**COMMONWEALTH OF KENTUCKY
TRANSPORTATION CABINET**
Frankfort, Kentucky 40622
www.transportation.ky.gov/

Matthew G. Bevin
Governor

Greg Thomas
Secretary

May 16, 2017

CALL NO. 120
CONTRACT ID NO. 174006
ADDENDUM # 1

Subject: Ohio County, HSIP 5078 (014)
Letting May 26, 2017

(1)Added - Drawings - Pages 1-4 of 4

Proposal revisions are available at <http://transportation.ky.gov/Construction-Procurement/>.

If you have any questions, please contact us at 502-564-3500.

Sincerely,

A handwritten signature in cursive script that reads "Rachel Mills".

Rachel Mills, P.E.
Director
Division of Construction Procurement

RM:ks
Enclosures

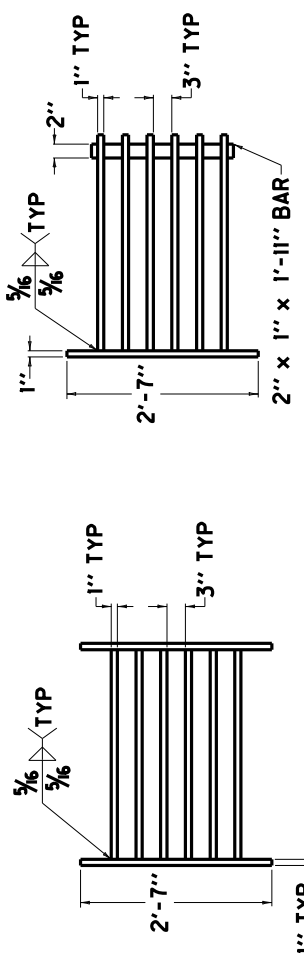
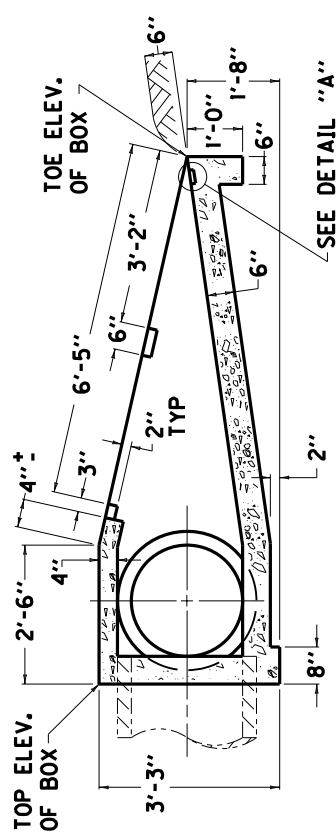
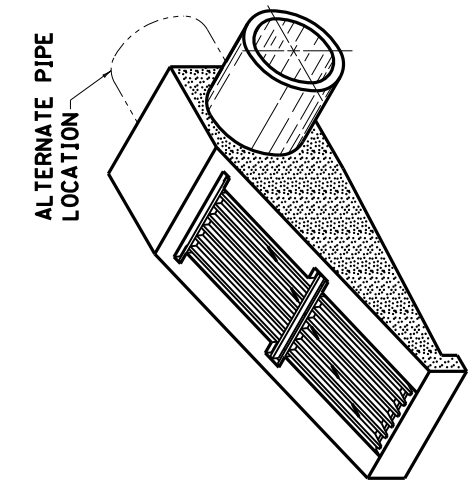
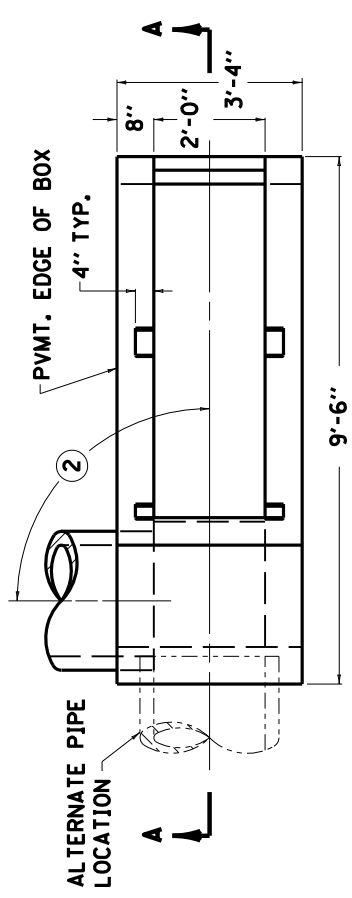


An Equal Opportunity Employer M/F/D

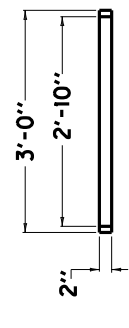
NOTES

- | ITEM CODE | BID ITEM | UNIT |
|-----------|--------------------------------|------|
| 1726 | SAFETY BOX INLET-18 INCH SDB-1 | EACH |
| 1727 | SAFETY BOX INLET-24 INCH SDB-1 | EACH |
- THE UNIT BID FOR EACH STRUCTURE SHALL INCLUDE ALL CONCRETE, STRUCTURAL STEEL GRATING, EXCAVATION, LABOR AND INCIDENTALS NECESSARY FOR ITS CONSTRUCTION AS DETAILED ON THIS SHEET.
- ① TOE OF BOX SHALL BE RAISED OR LOWERED TO FIT EXISTING FIELD CONDITIONS.
② SKEW OF BOX SHALL VARY TO FIT EXISTING FIELD CONDITIONS.

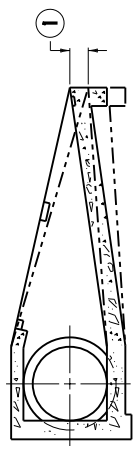
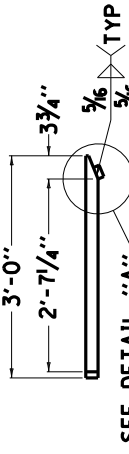
APPROXIMATE QUANTITIES			
CLASS "A"	GRATE	LBS. STRUCTURAL STEEL	TOTAL POUNDS
CUBIC YARDS	NUMBER	EACH GRATE	
1.44	1	145	298
	2	153	



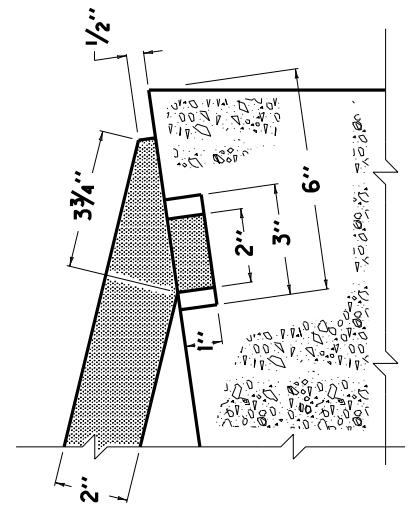
**GRATE NO. 1
PLAN VIEW**



**GRATE NO. 2
PLAN VIEW**



SECTIONAL VIEW



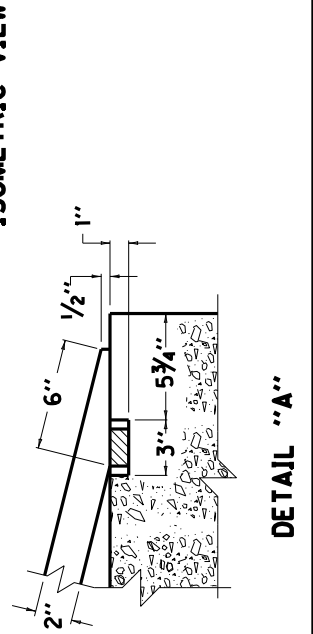
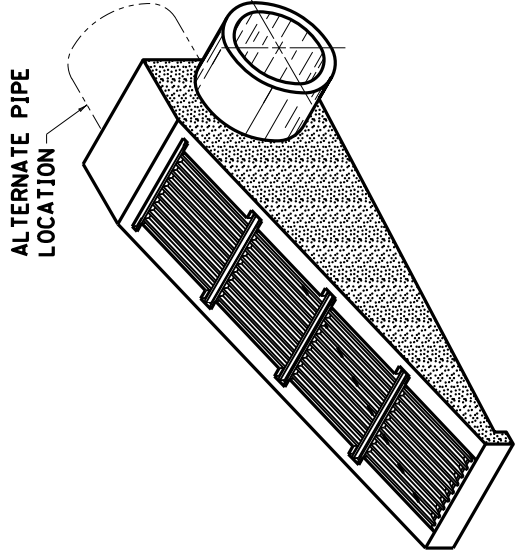
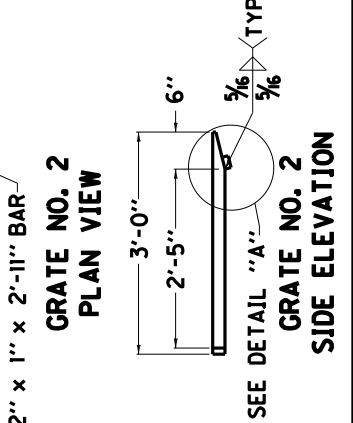
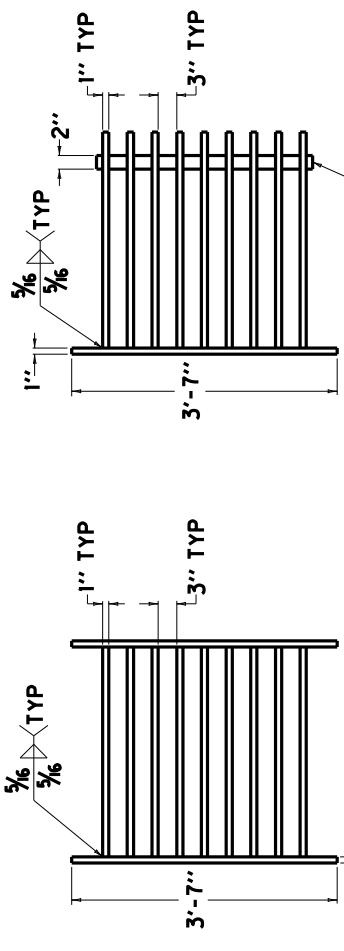
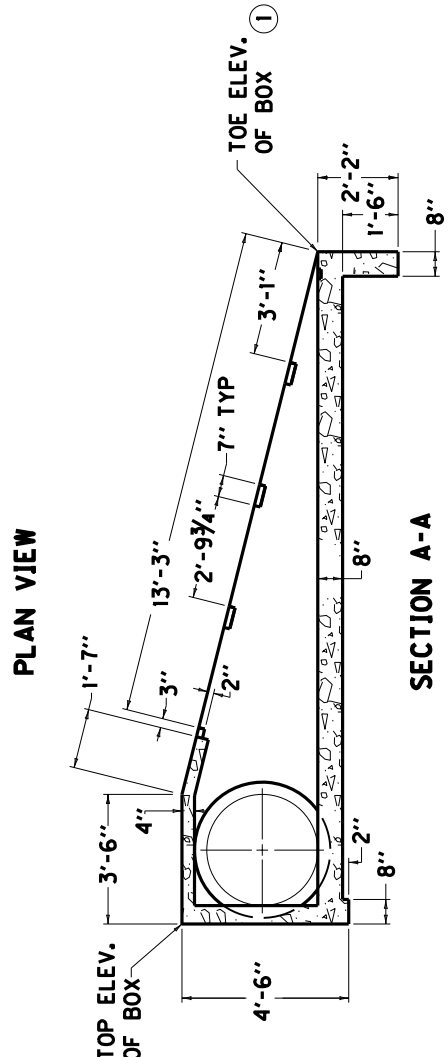
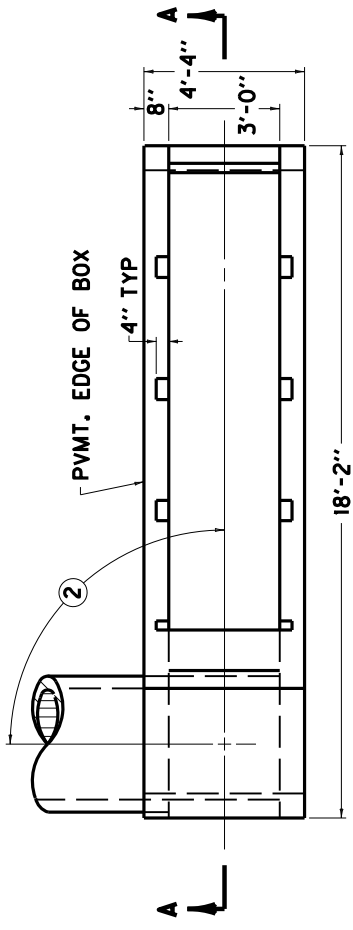
DETAIL "A"

SHEET NO.	
ITEM NO.	
COUNTY OF	

NOTES

- ITEM CODE 2304NS710 BID ITEM SAFETY BOX INLET-36 INCH SDB-1 UNIT EACH
- THE UNIT BID FOR EACH STRUCTURE SHALL INCLUDE ALL CONCRETE, STRUCTURAL STEEL GRATING, EXCAVATION, LABOR AND INCIDENTALS NECESSARY FOR ITS CONSTRUCTION AS DETAILED ON THIS SHEET.
- TOE OF BOX SHALL BE RAISED OR LOWERED TO FIT EXISTING FIELD CONDITIONS.
 - SKEW OF BOX SHALL VARY TO FIT EXISTING FIELD CONDITIONS.
 - ALL QUANTITIES ARE FOR ONE HEADWALL.

APPROXIMATE QUANTITIES				
CLASS "A" CONC.	CUBIC YARDS	GRATE NUMBER	LBS.	
			STRUCTURAL STEEL	REINF. STEEL
4.51	1	3	222	261
		2	230	
			EACH GRATE	896



SHEET 1 OF 2

KENTUCKY
DEPARTMENT OF HIGHWAYS

**SAFETY TYPE
BOX INLET
(36")**

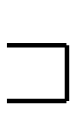
APPROVED: *[Signature]*
PROJECT ENGINEER

COUNTY OF	ITEM NO.

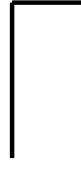
NOTES

1. NUMBER OF BARS IN ONE HEADWALL.
2. DIMENSIONS ARE O. TO O. OF BARS.
3. ALL BARS ARE STRAIGHT EXCEPT THOSE SHOWN BELOW.

BENT BAR SHAPES



BARS (C)



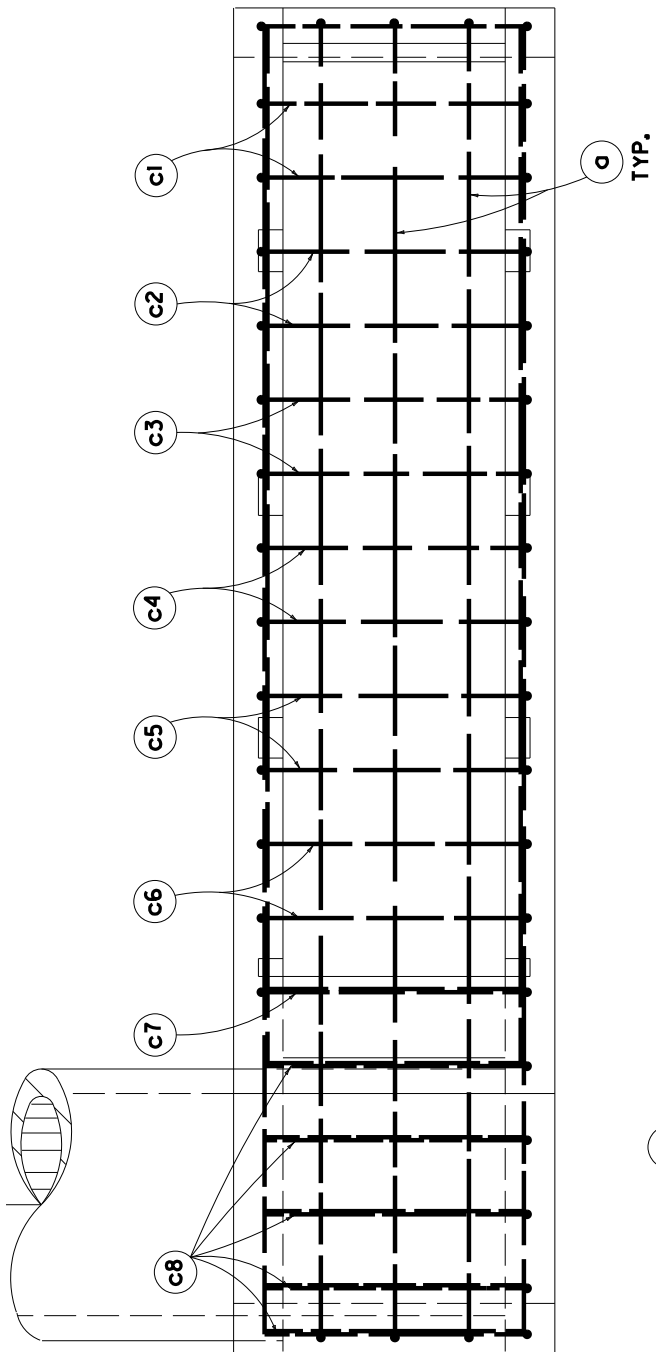
BARS (C)

MARK	S	NO	LGTH		K		
			(1)	(2)			
			FT	IN	FT	IN	
36"							
o	4	5	19	6	1	8	
b	4	16	3	6			
c1	4	2	5	0	3	6	
c2	4	2	5	10	3	6	
c3	4	2	6	10	3	6	
c4	4	2	7	10	3	6	
c5	4	2	8	10	3	6	
c6	4	2	9	10	3	6	
c7	4	1	11	0	3	6	
c8	4	5	11	6	3	6	
d	4	6	13	4			

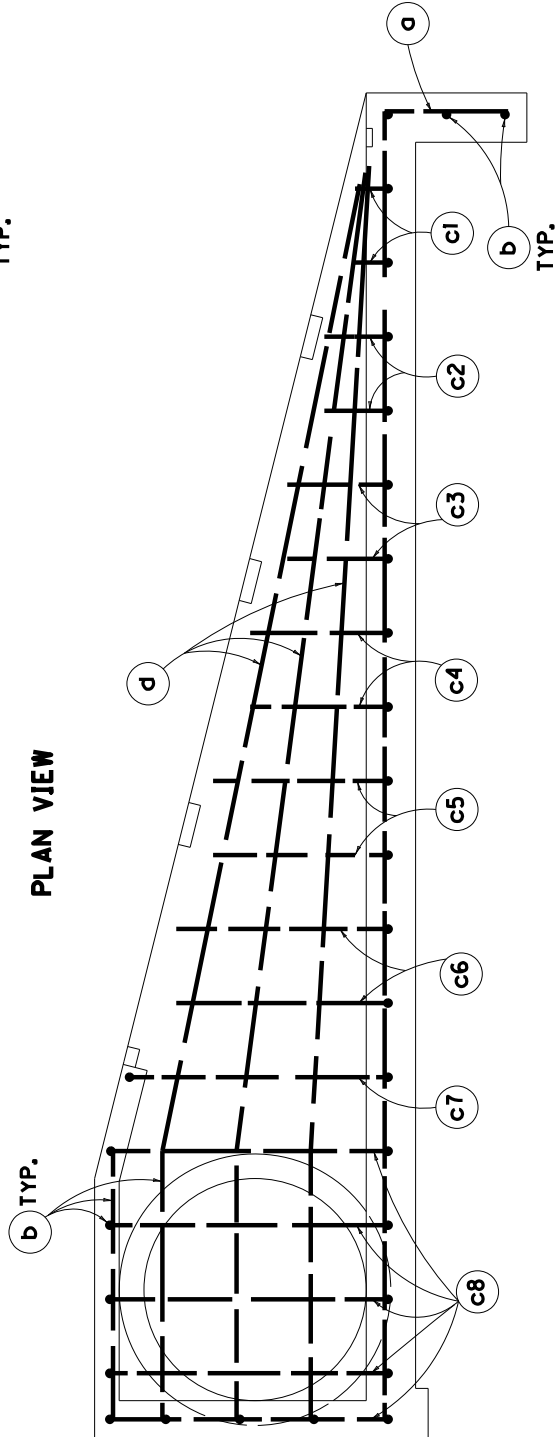
SHEET 2 OF 2
 KENTUCKY
 DEPARTMENT OF HIGHWAYS
BILL OF REINFORCEMENT
SAFETY TYPE BOX JUNCTION
(36")

ADDENDUM # 16-17
 Contract ID # 74006
 Date 06-20-08
 Page 3 of 4

APPROVED: PROJECT ENGINEER



PLAN VIEW

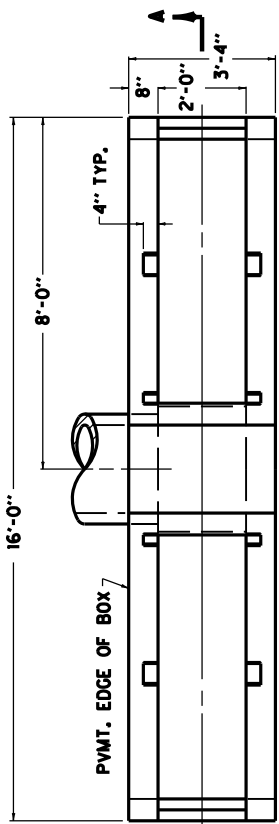


ELEVATION VIEW

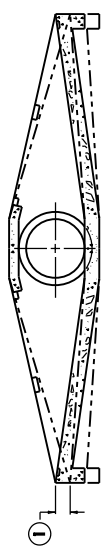
COUNTY OF	ITEM NO.

NOTES

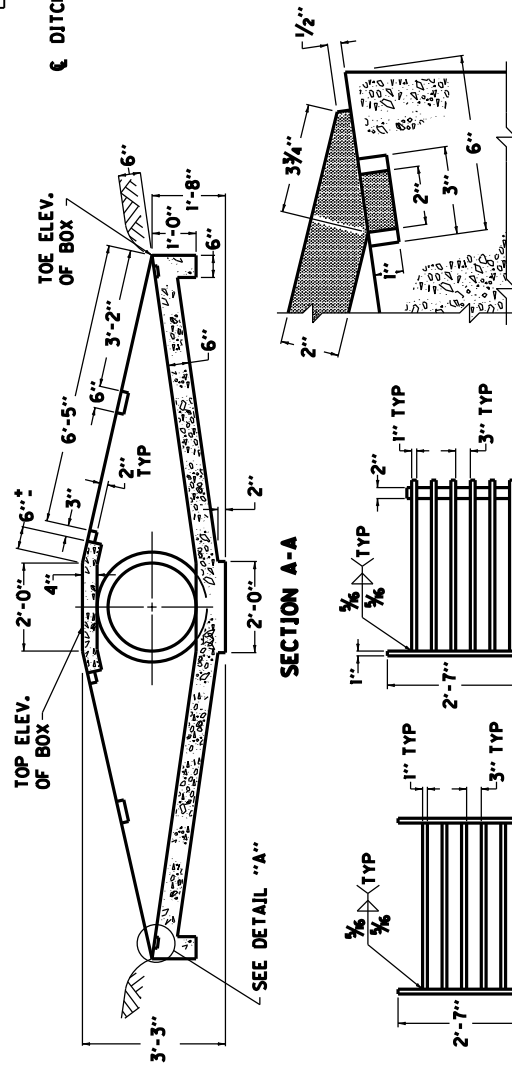
- ITEM CODE BID ITEM UNIT
 1728 SAFETY BOX INLET-18 IN DBL SOB-5 EACH
 1729 SAFETY BOX INLET-24 IN DBL SOB-5 EACH
- THE UNIT BID FOR EACH STRUCTURE SHALL INCLUDE ALL CONCRETE, STRUCTURAL STEEL GRATING, EXCAVATION, LABOR AND INCIDENTALS NECESSARY FOR ITS CONSTRUCTION AS DETAILED ON THIS SHEET.
- TOE OF BOX SHALL BE RAISED OR LOWERED TO FIT EXISTING FIELD CONDITIONS.
 - ANGLE BETWEEN BOX WALLS MAY VARY TO FIT EXISTING FIELD CONDITIONS.



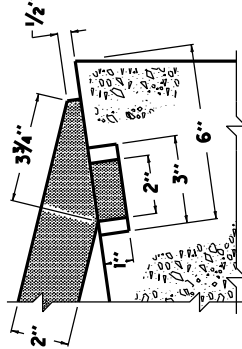
PLAN VIEW



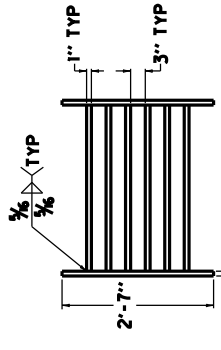
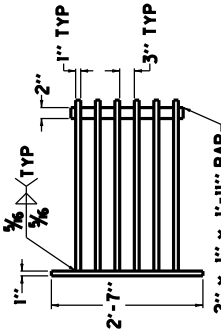
SECTIONAL VIEW



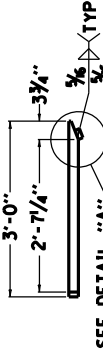
SECTION A-A



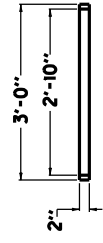
DETAIL "A"



**GRATE NO. 2
 PLAN VIEW**



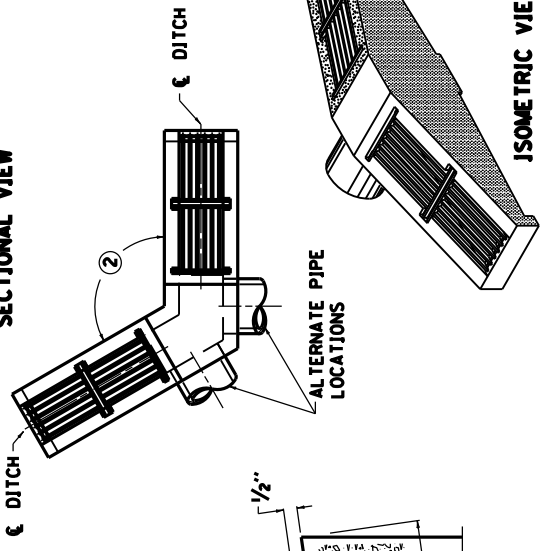
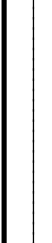
**GRATE NO. 1
 PLAN VIEW**



**GRATE NO. 2
 SIDE ELEVATION**



**GRATE NO. 1
 SIDE ELEVATION**



ISOMETRIC VIEW

APPROXIMATE QUANTITIES			
CLASS "A"	CONC. CUBIC YARDS	GRATE NUMBER	LBS. STRUCTURAL STEEL
2.07	1	145	TOTAL POUNDS
	2	153	596

M/A

DBL SAFETY BOX INLET DETAIL SHEET