



COMMONWEALTH OF KENTUCKY
TRANSPORTATION CABINET
www.transportation.ky.gov/

Andy Beshear
GOVERNOR

Jim Gray
SECRETARY

March 18, 2022

CALL NO. 106
CONTRACT ID NO. 224416
ADDENDUM # 1

Subject: Barren County, HSIP 9010 (332)
Letting March 24, 2022

- (1) Revised - Special Notes - Pages 21 & 59 of 100
- (2) Added - Detail Sheets - Pages 67(a)-67(b) of 100

Proposal revisions are available at <http://transportation.ky.gov/Construction-Procurement/>.

If you have any questions, please contact us at 502-564-3500.

Sincerely,

Rachel Mills,

A handwritten signature in cursive script that reads "Rachel Mills".

Rachel Mills, P.E.
Director
Division of Construction Procurement

RM:mr
Enclosures

E. Ditching & Shouldering. Perform Ditching & Shouldering at the approximate locations listed on the Summary Sheets and/or Plan Sheets, or at locations as directed by the Engineer. All work shall be completed according to Section 209, or as specified in the Typical Sections, the Plan Sheets, or as directed by the Engineer. Ditching & Shouldering shall consist of any necessary clearing, grubbing, grading, and/or reshaping of the existing shoulder, ditch, and/or roadside to achieve the proposed shoulder, ditch, and/or roadside dimensions detailed on the Typical Sections. Depending on the existing conditions encountered and to achieve the dimensions as detailed in the Typical Sections, Ditching & Shouldering may also include, but is not limited to: embankment benching, excavating and removing excess material, excavation of rock, providing additional earth material suitable for vegetation growth and grading, shaping, and compacting the earth material.

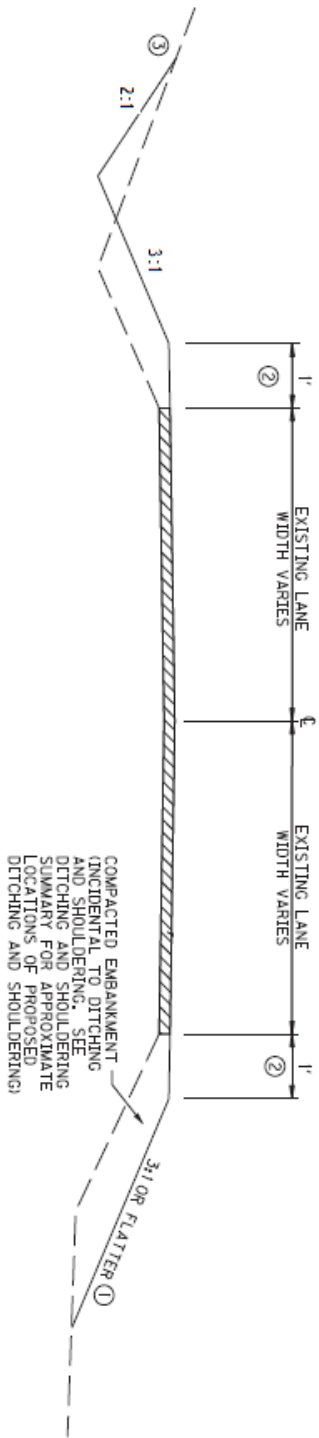
Provide positive drainage of ditches and slopes at all times during and upon completion of construction. When asphalt surfacing or resurfacing is included in the contract, perform all ditching and as much of the shouldering operations as is practical before beginning final surfacing operations.

F. Embankment Benching. Embankment Benching shall be required when the existing groundline has an incline greater than 15%. Any and all required embankment benching shall be incidental to the bid item DITCHING & SHOULDERING. For more information refer to the DITCHING & SHOULDERING AND EMBANKMENT BENCHING DETAILS.

G. Channel Lining. Install Class II Channel Lining along any sections of ditches, fill slopes, or ditch backslopes identified in the Proposal, or any other locations the Engineer directs for slope protection or erosion control.

H. Right-of-Way Limits. The Department has not established exact limits of the Right-of-Way. Unless a consent and release form is obtained from the adjoining property owner, limit work activities to the obvious Right-of-Way and staging areas secured by the Contractor at no additional cost to the Department. In the event that private improvements (i.e. fences, buildings, etc.) encroach upon the Right-of-Way, the contractor shall notify the Engineer and limit work activities in order to NOT disturb the improvements. If they become necessary, the Department will secure consent and releases from property owners through the Engineer. Be responsible for all encroachments onto private lands.

TYPICAL SECTION FOR DITCHING AND SHOULDERING



- NOTES:
- CONTRACTOR SHALL PROPERLY BENCH INTO EXISTING SLOPE AND APPLY PROPER COMPACTION.
 - COMPACT MATERIAL ACCORDING TO STANDARD SPECIFICATIONS (SECT. 206).
 - FINAL PAYMENT WILL BE PAID AS LE OF DITCHING AND SHOULDERING AND INCLUDE ALL WORK NECESSARY TO PERFORM WORK.
 - SHOULDER EMBANKMENT MATERIAL SHALL BE SUITABLE FOR VEGETATION GROWTH.
 - DITCH DEPTH AND SLOPE WILL VARY DEPENDING ON EXISTING CONDITIONS. PROPOSED DITCH SHALL HAVE 1 FT DEPTH MINIMUM.
- ① 3:1 OR FLATTER IS DESIRABLE. LOCATIONS THAT ARE LIMITED DUE TO RIGHT-OF-WAY, UTILITY POLES, TREES, FENCES, OR OTHER SENSITIVE OBSTRUCTIONS MAY REQUIRE EMBANKMENT BUT ONLY OUT TO THE EDGE OF THE RIGHT-OF-WAY OR SENSITIVE OBSTRUCTIONS. (SLOPE MAY BE STEEPER THAN 3:1)
- ② A 1' SHOULDER IS DESIRABLE BUT MAY HAVE TO BE ELIMINATED IN ORDER TO REMAIN ON RIGHT-OF-WAY OR AVOID A SENSITIVE OBSTRUCTION.
- ③ FLATTEN DITCH BACKSLOPE WHEN POSSIBLE TO REMAIN IN RIGHT-OF-WAY. IN AREAS WHERE THE BACKSLOPE MUST REMAIN STEEP, THE ENGINEER MAY DETERMINE THAT CHANNEL LINING NEEDS TO BE INSTALLED TO HELP STABILIZE THE BACKSLOPE.

See Ditching and Shouldering Detail Sheet: Figure 1 and Figure 8

FIGURE 1

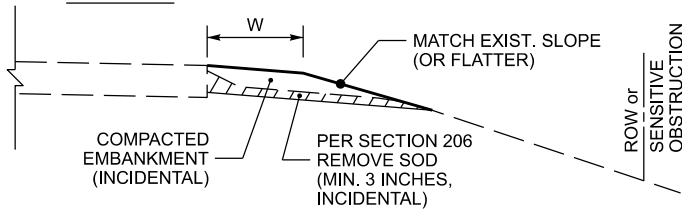


FIGURE 2

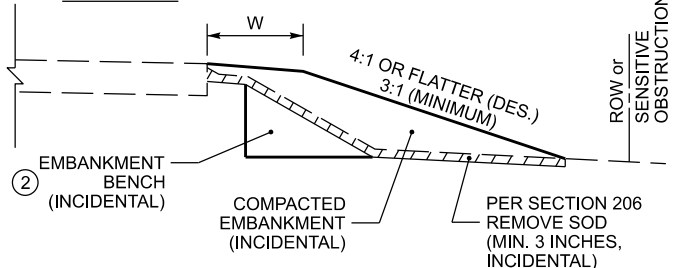


FIGURE 3

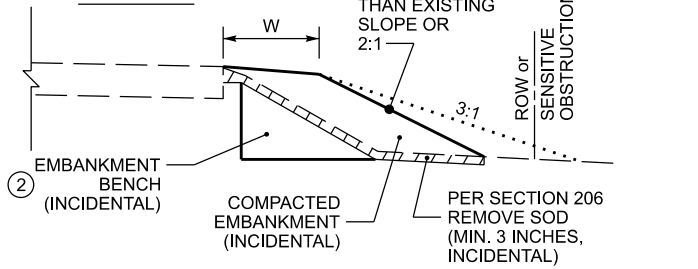


FIGURE 4

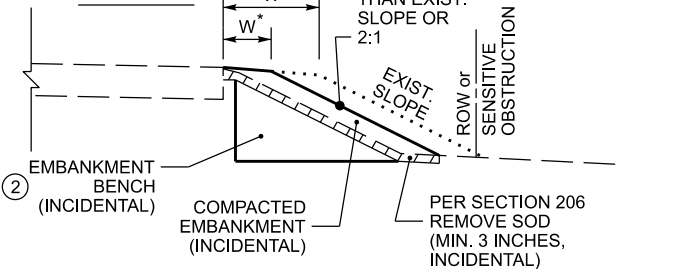
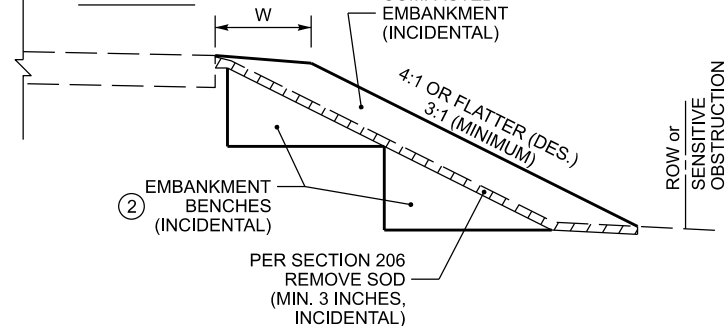


FIGURE 5



~ NOTES ~

BID ITEM AND UNIT TO BID:
2575 - DITCHING & SHOULDERING - LF

1. THE BID ITEM 'DITCHING & SHOULDERING' SHALL CONSIST OF ANY AND ALL NECESSARY CLEARING & GRUBBING, GRADING, AND/OR RESHAPING OF THE EXISTING SHOULDER, DITCH, AND/OR ROADSIDE DIMENSIONS, AS DETAILED ON THE TYPICAL SECTIONS. FINAL PAYMENT WILL BE BASED ON THE ACTUAL LINEAR FEET OF DITCHING AND SHOULDERING PERFORMED, AND WILL INCLUDE ALL WORK AND INCIDENTALS NECESSARY TO PERFORM THE DITCHING AND SHOULDERING ACCORDING TO THESE DETAILS, NOTES, AND ANY OTHER INFORMATION FOUND ELSEWHERE IN THE PROPOSAL OR STANDARD SPECIFICATIONS. IN THE CASE OF A DISCREPANCY, REFER TO SECTION 105.05 OF THE STANDARD SPECIFICATIONS. DEPENDING ON THE EXISTING CONDITIONS ENCOUNTERED, DITCHING AND SHOULDERING MAY ALSO INCLUDE, BUT IS NOT LIMITED TO:
 - PROVIDING ADDITIONAL EARTH MATERIAL AND GRADING, SHAPING, AND COMPACTING THE EARTH MATERIAL TO ACHIEVE THE DIMENSIONS SHOWN ON THE TYPICAL SECTIONS. COMPACT MATERIAL ACCORDING TO SECTION 206 OF THE STANDARD SPECIFICATIONS.
 - NOTE: ADDITIONAL EARTH MATERIAL PROVIDED SHALL BE SUITABLE FOR VEGETATION GROWTH.
 - EXCAVATING AND REMOVING EXCESS MATERIAL TO ACHIEVE THE DIMENSIONS SHOWN ON THE TYPICAL SECTIONS
 - EMBANKMENT BENCHING
- ② EMBANKMENT BENCHING WILL BE REQUIRED WHEN THE EXISTING GROUNDLINE HAS AN INCLINE GREATER THAN 15% (APPROX. 6:1). ANY AND ALL REQUIRED EMBANKMENT BENCHING SHALL BE INCIDENTAL TO THE BID ITEM 'DITCHING AND SHOULDERING'. THE FOLLOWING ARE GUIDELINES FOR EMBANKMENT BENCHING USED IN CONJUNCTION WITH THE BID ITEM 'DITCHING AND SHOULDERING':
 - THE TYPICAL HEIGHT (OR RISE) IS 1' TO 6'
 - THE TYPICAL WIDTH (OR RUN) WILL VARY BASED ON THE HEIGHT OF THE BENCH
 - MULTIPLE SMALL BENCHES MAY BE USED, AND MAY BE MORE ADVANTAGEOUS AS THIS WILL REQUIRE PROCESSING LESS EARTHWORK.
3. AS SHOWN IN FIGURE 1, IN SOME SITUATIONS, MINOR SHOULDERING, WITH MINIMAL ADDITIONAL EARTH MATERIAL, MAY BE ALL THAT IS REQUIRED TO RESHAPE THE EARTH SHOULDER TO THE PROPOSED WIDTH AND BRING IT FLUSH WITH THE EDGE OF PAVEMENT.
4. AS SHOWN IN FIGURE 2, MOST SITUATIONS WILL REQUIRE ADDITIONAL EARTH MATERIAL TO ACHIEVE THE PROPOSED EARTH SHOULDER WIDTH. IT IS DESIRED THAT THE RESULTING FILL SLOPE BE INSTALLED AS FLAT AS POSSIBLE AND REMAIN WITHIN THE RIGHT-OF-WAY AND/OR AVOID SENSITIVE OBSTRUCTIONS.
5. AS SHOWN IN FIGURE 3, IF A 3:1 FILL SLOPE WILL RESULT IN THE TOE OF SLOPE EXTENDING BEYOND THE RIGHT-OF-WAY OR IMPACT A SENSITIVE OBSTRUCTION, THEN THE FILL SLOPE MAY BE INSTALLED STEEPER THAN 3:1, BUT NO STEEPER THAN THE EXISTING FILL SLOPE, OR A 2:1, WHICHEVER IS FLATTER.
6. AS SHOWN IN FIGURE 4, IF MATCHING THE EXISTING FILL SLOPE OR INSTALLING A 2:1 FILL SLOPE (WHICHEVER IS FLATTER) STILL RESULTS IN THE TOE OF SLOPE EXTENDING BEYOND THE RIGHT-OF-WAY OR STILL IMPACTS A SENSITIVE OBSTRUCTION, THEN THE PROPOSED EARTH SHOULDER WIDTH MAY BE REDUCED SO THAT THE RESULTING TOE OF SLOPE WILL REMAIN WITHIN THE RIGHT-OF-WAY AND/OR NOT IMPACT THE SENSITIVE OBSTRUCTION.
7. AS SHOWN IN FIGURE 5, AS THE HEIGHT OF THE FILL INCREASES, MULTIPLE EMBANKMENT BENCHES MAY BE REQUIRED.

SEE SHEET 2 FOR NOTES 8 THRU 12

KENTUCKY
DEPARTMENT OF HIGHWAYS

DITCHING & SHOULDERING
AND EMBANKMENT
BENCHING DETAILS
(SHEET 1 OF 2)

NOT TO SCALE

FIGURE 7

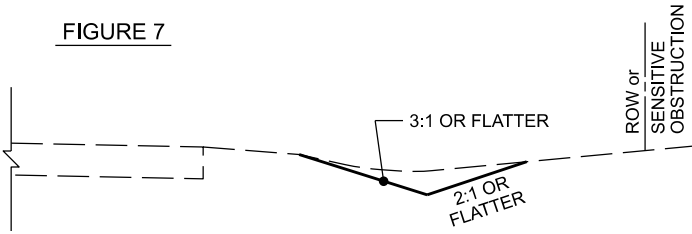


FIGURE 8

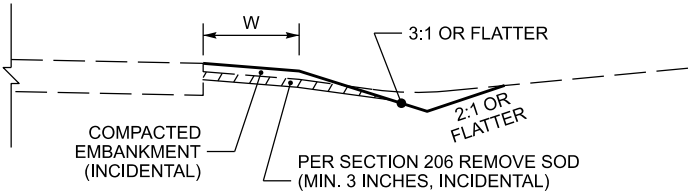


FIGURE 9

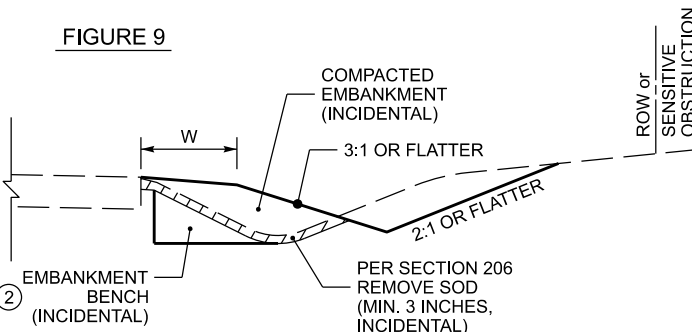


FIGURE 10

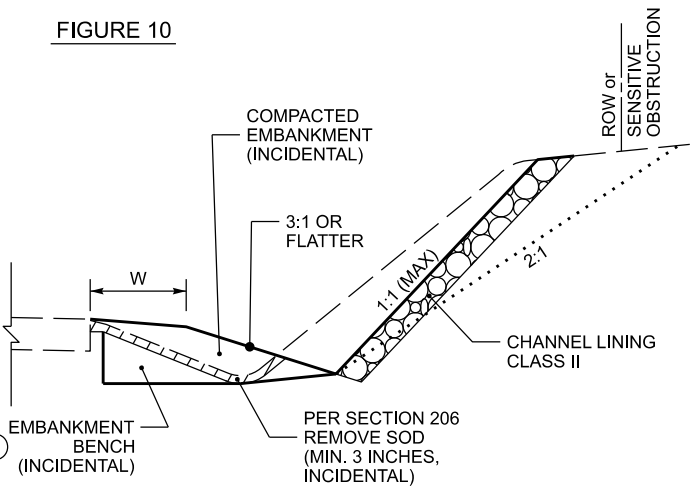
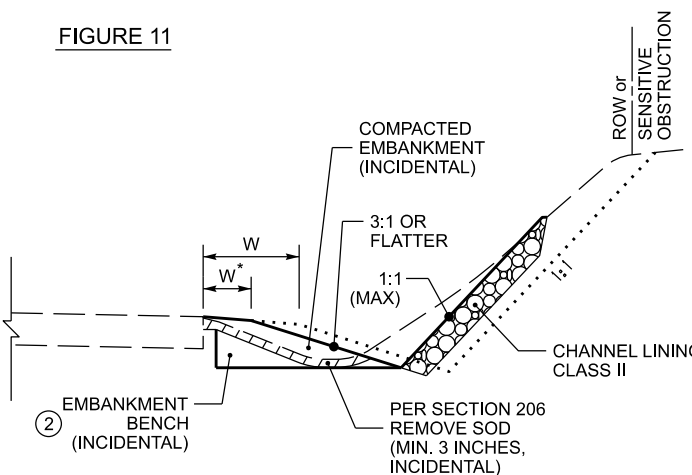


FIGURE 11



~ NOTES ~

BID ITEM AND UNIT TO BID:
2575 - DITCHING & SHOULDERING - LF

1. THE BID ITEM 'DITCHING & SHOULDERING' SHALL CONSIST OF ANY AND ALL NECESSARY CLEARING & GRUBBING, GRADING, AND/OR RESHAPING OF THE EXISTING SHOULDER, DITCH, AND/OR ROADSIDE DIMENSIONS, AS DETAILED ON THE TYPICAL SECTIONS. FINAL PAYMENT WILL BE BASED ON THE ACTUAL LINEAR FEET OF DITCHING AND SHOULDERING PERFORMED, AND WILL INCLUDE ALL WORK AND INCIDENTALS NECESSARY TO PERFORM THE DITCHING AND SHOULDERING ACCORDING TO THESE DETAILS, NOTES, AND ANY OTHER INFORMATION FOUND ELSEWHERE IN THE PROPOSAL OR STANDARD SPECIFICATIONS. IN THE CASE OF A DISCREPANCY, REFER TO SECTION 105.05 OF THE STANDARD SPECIFICATIONS. DEPENDING ON THE EXISTING CONDITIONS ENCOUNTERED, DITCHING AND SHOULDERING MAY ALSO INCLUDE, BUT IS NOT LIMITED TO:

- PROVIDING ADDITIONAL EARTH MATERIAL AND GRADING, SHAPING, AND COMPACTING THE EARTH MATERIAL TO ACHIEVE THE DIMENSIONS SHOWN ON THE TYPICAL SECTIONS. COMPACT MATERIAL ACCORDING TO SECTION 206 OF THE STANDARD SPECIFICATIONS.
- NOTE: ADDITIONAL EARTH MATERIAL PROVIDED SHALL BE SUITABLE FOR VEGETATION GROWTH.
- EXCAVATING AND REMOVING EXCESS MATERIAL TO ACHIEVE THE DIMENSIONS SHOWN ON THE TYPICAL SECTIONS
- EMBANKMENT BENCHING

② EMBANKMENT BENCHING WILL BE REQUIRED WHEN THE EXISTING GROUNDLINE HAS AN INCLINE GREATER THAN 15% (APPROX. 6:1). ANY AND ALL REQUIRED EMBANKMENT BENCHING SHALL BE INCIDENTAL TO THE BID ITEM 'DITCHING AND SHOULDERING'. THE FOLLOWING ARE GUIDELINES FOR EMBANKMENT BENCHING USED IN CONJUNCTION WITH THE BID ITEM 'DITCHING AND SHOULDERING':

- THE TYPICAL HEIGHT (OR RISE) IS 1' TO 6'
- THE TYPICAL WIDTH (OR RUN) WILL VARY BASED ON THE HEIGHT OF THE BENCH
- MULTIPLE SMALL BENCHES MAY BE USED, AND MAY BE MORE ADVANTAGEOUS AS THIS WILL REQUIRE PROCESSING LESS EARTHWORK.

SEE SHEET 1 FOR NOTES 3. THRU 7.

8. AS SHOWN IN FIGURE 7, IN SOME SITUATIONS, ALL THAT MAY BE REQUIRED IS TO CLEAN OUT THE EXISTING DITCH AND RESHAPE IT TO THE PROPOSED DIMENSIONS. THE MATERIAL EXCAVATED FROM THE DITCH MAY BE RE-USED ELSEWHERE ON THE PROJECT, PROVIDED THE ENGINEER DETERMINES THE MATERIAL REMOVED FROM THE DITCH IS SUITABLE FOR THE INTENDED RE-USE.

9. AS SHOWN IN FIGURE 8, IN SOME SITUATIONS, THE DITCH AND SHOULDER MAY ONLY NEED MINOR REGRADING AND/OR RESHAPING. THE MATERIAL EXCAVATED FROM THE DITCH MAY BE USED TO RESHAPE THE EARTH SHOULDER, PROVIDED THE ENGINEER DETERMINES THE MATERIAL REMOVED FROM THE DITCH IS SUITABLE FOR SHOULDERING. IF THE MATERIAL IS NOT SUITABLE, ADDITIONAL EARTH MATERIAL MAY BE REQUIRED.

10. AS SHOWN IN FIGURE 9, IN MOST SITUATIONS, REGRADING AND RESHAPING THE ROADSIDE TO ACHIEVE THE PROPOSED SHOULDER, DITCH, AND/OR ROADSIDE DIMENSIONS WILL RESULT IN MOVING THE DITCH FURTHER AWAY FROM THE ROADWAY. IT IS DESIRED THAT DITCH FORESLOPES BE 3:1 OR FLATTER AND DITCH BACKSLOPES BE 2:1 OR FLATTER.

11. AS SHOWN IN FIGURE 10, IF INSTALLING A 2:1 DITCH BACKSLOPE WILL RESULT IN THE TOP OF CUT EXTENDING BEYOND THE RIGHT-OF-WAY OR IMPACTING A SENSITIVE OBSTRUCTION, THEN THE DITCH BACK SLOPE MAY BE INSTALLED STEEPER THAN 2:1, UP TO 1:1 MAXIMUM. IN THIS SITUATION, THE DITCH BACKSLOPE SHALL HAVE CLASS II CHANNEL LINING INSTALLED FOR SLOPE PROTECTION.

12. AS SHOWN IN FIGURE 11, IF USING A 1:1 DITCH BACKSLOPE STILL RESULTS IN THE TOP OF CUT EXTENDING BEYOND THE RIGHT-OF-WAY OR STILL IMPACTS A SENSITIVE OBSTRUCTION, THEN THE PROPOSED EARTH SHOULDER WIDTH MAY BE REDUCED SO THAT THE STEEP DITCH BACKSLOPE CAN BE INSTALLED WITHIN THE RIGHT-OF-WAY AND/OR TO AVOID A SENSITIVE OBSTRUCTION.

KENTUCKY
DEPARTMENT OF HIGHWAYS

DITCHING & SHOULDERING
AND EMBANKMENT
BENCHING DETAILS
(SHEET 2 OF 2)

NOT TO SCALE