



**Matthew G. Bevin**  
Governor

**COMMONWEALTH OF KENTUCKY**  
**TRANSPORTATION CABINET**  
Frankfort, Kentucky 40622  
[www.transportation.ky.gov/](http://www.transportation.ky.gov/)

**Greg Thomas**  
Secretary

April 24, 2018

CALL NO. 100  
CONTRACT ID NO. 181211  
ADDENDUM # 1

Subject: LETCHER COUNTY, NHPP 1191 (053)  
Letting April 27, 2018

- (1) Revised - Proposal Bid Items - Pages 90-91 of 91
- (2) Revised - Plan Sheets - R2A and R2C

Proposal revisions are available at <http://transportation.ky.gov/Construction-Procurement/>.

If you have any questions, please contact us at 502-564-3500.

Sincerely,

A handwritten signature in black ink that reads "Rachel Mills".

Rachel Mills, P.E.  
Director  
Division of Construction Procurement

RM:mr  
Enclosures



An Equal Opportunity Employer M/F/D

**PROPOSAL BID ITEMS**

Report Date 4/24/18

Page 1 of 2

**Section: 0001 - PAVING**

LINE	BID CODE	ALT	DESCRIPTION	QUANTITY	UNIT	UNIT PRIC	FP	AMOUNT
0010	00003		CRUSHED STONE BASE	5,978.00	TON		\$	
0020	00100		ASPHALT SEAL AGGREGATE	69.00	TON		\$	
0030	00103		ASPHALT SEAL COAT	9.00	TON		\$	
0040	00190		LEVELING & WEDGING PG64-22	2,245.00	TON		\$	
0050	00214		CL3 ASPH BASE 1.00D PG64-22	5,155.00	TON		\$	
0070	00356		ASPHALT MATERIAL FOR TACK	34.00	TON		\$	
0075	00388		CL3 ASPH SURF 0.38B PG64-22 (ADDED: 4-24-18)	2,138.00	TON		\$	

**Section: 0002 - ROADWAY**

LINE	BID CODE	ALT	DESCRIPTION	QUANTITY	UNIT	UNIT PRIC	FP	AMOUNT
0080	00078		CRUSHED AGGREGATE SIZE NO 2	2,492.00	TON		\$	
0090	01000		PERFORATED PIPE-4 IN	640.00	LF		\$	
0100	01010		NON-PERFORATED PIPE-4 IN	84.00	LF		\$	
0110	01020		PERF PIPE HEADWALL TY 1-4 IN	5.00	EACH		\$	
0120	01028		PERF PIPE HEADWALL TY 3-4 IN	2.00	EACH		\$	
0130	01891		ISLAND HEADER CURB TYPE 2	50.00	LF		\$	
0140	01987		DELINEATOR FOR GUARDRAIL BI DIRECTIONAL WHITE	33.00	EACH		\$	
0150	02091		REMOVE PAVEMENT	225.00	SQYD		\$	
0160	02159		TEMP DITCH	1,925.00	LF		\$	
0170	02160		CLEAN TEMP DITCH	963.00	LF		\$	
0180	02200		ROADWAY EXCAVATION	2,198.00	CUYD		\$	
0190	02242		WATER (FOR DUST CONTROL)	160.00	MGAL		\$	
0200	02351		GUARDRAIL-STEEL W BEAM-S FACE	3,237.50	LF		\$	
0210	02360		GUARDRAIL TERMINAL SECTION NO 1	3.00	EACH		\$	
0220	02363		GUARDRAIL CONNECTOR TO BRIDGE END TY A	2.00	EACH		\$	
0230	02367		GUARDRAIL END TREATMENT TYPE 1	4.00	EACH		\$	
0240	02381		REMOVE GUARDRAIL	3,437.00	LF		\$	
0250	02545		CLEARING AND GRUBBING (APPROXIMATELY 19 ACRES)	1.00	LS		\$	
0260	02562		TEMPORARY SIGNS	334.00	SQFT		\$	
0270	02596		FABRIC-GEOTEXTILE TYPE I	1,800.00	SQYD		\$	
0280	02599		FABRIC-GEOTEXTILE TYPE IV	450.00	SQYD		\$	
0290	02650		MAINTAIN & CONTROL TRAFFIC	1.00	LS		\$	
0300	02671		PORTABLE CHANGEABLE MESSAGE SIGN	2.00	EACH		\$	
0310	02676		MOBILIZATION FOR MILL & TEXT	1.00	LS		\$	
0320	02677		ASPHALT PAVE MILLING & TEXTURING	1,838.00	TON		\$	
0330	02696		SHOULDER RUMBLE STRIPS	8,316.00	LF		\$	
0340	02701		TEMP SILT FENCE	1,925.00	LF		\$	
0350	02703		SILT TRAP TYPE A	19.00	EACH		\$	
0360	02704		SILT TRAP TYPE B	19.00	EACH		\$	
0370	02705		SILT TRAP TYPE C	19.00	EACH		\$	
0380	02706		CLEAN SILT TRAP TYPE A	19.00	EACH		\$	

**PROPOSAL BID ITEMS**

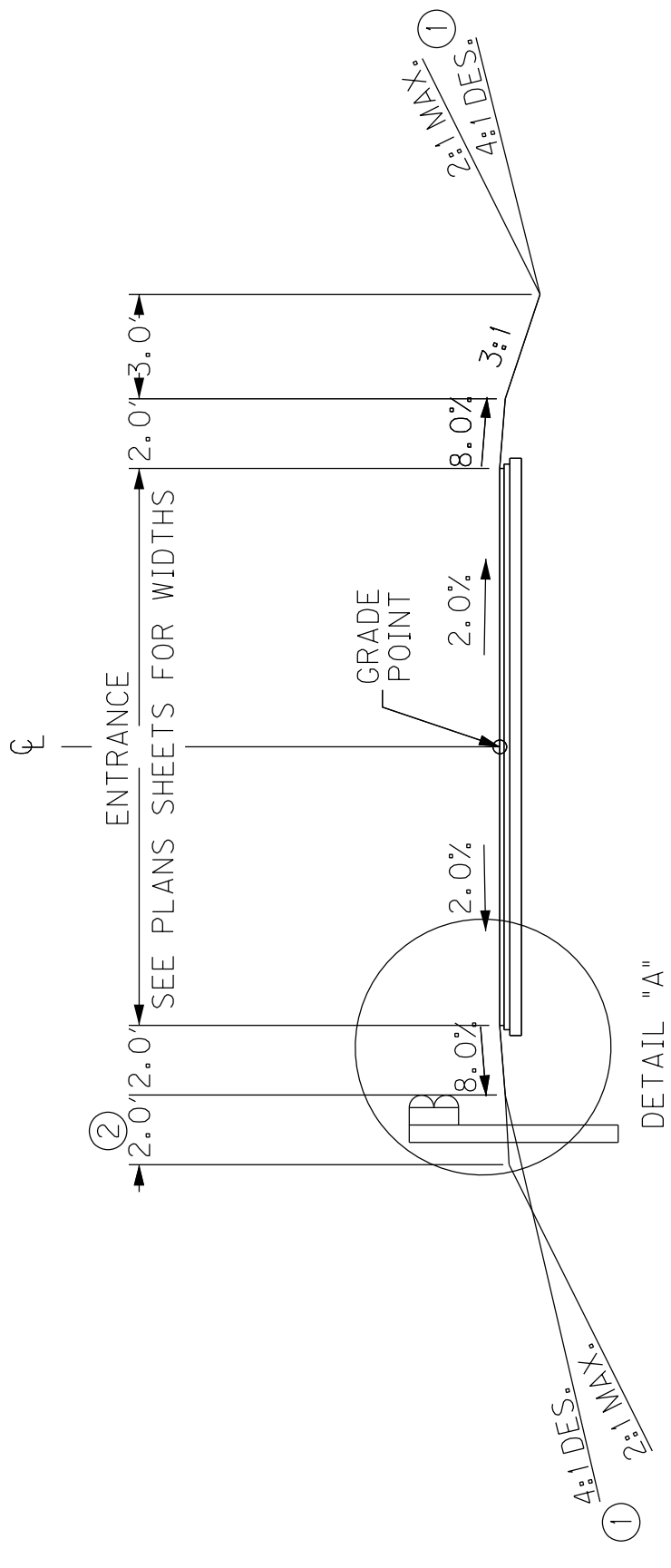
Report Date 4/24/18

LINE	BID CODE	ALT	DESCRIPTION	QUANTITY	UNIT	UNIT PRIC	FP	AMOUNT
0390	02707		CLEAN SILT TRAP TYPE B	19.00	EACH		\$	
0400	02708		CLEAN SILT TRAP TYPE C	19.00	EACH		\$	
0410	02726		STAKING	1.00	LS		\$	
0420	05950		EROSION CONTROL BLANKET	514.00	SQYD		\$	
0430	05952		TEMP MULCH	59,803.00	SQYD		\$	
0440	05953		TEMP SEEDING AND PROTECTION	44,852.00	SQYD		\$	
0450	05963		INITIAL FERTILIZER	.10	TON		\$	
0460	05964		20-10-10 FERTILIZER	.70	TON		\$	
0470	05985		SEEDING AND PROTECTION	7,642.00	SQYD		\$	
0480	05990		SODDING	6,290.00	SQYD		\$	
0490	05992		AGRICULTURAL LIMESTONE	5.00	TON		\$	
0500	06510		PAVE STRIPING-TEMP PAINT-4 IN	38,510.00	LF		\$	
0510	06514		PAVE STRIPING-PERM PAINT-4 IN	19,255.00	LF		\$	
0520	06568		PAVE MARKING-THERMO STOP BAR-24IN	39.00	LF		\$	
0530	06574		PAVE MARKING-THERMO CURV ARROW	20.00	EACH		\$	
0540	10020NS		FUEL ADJUSTMENT	19,562.00	DOLL	\$1.00	\$	\$19,562.00
0550	10030NS		ASPHALT ADJUSTMENT	42,802.00	DOLL	\$1.00	\$	\$42,802.00
0560	20071EC		JOINT ADHESIVE	4,159.00	LF		\$	
0570	20191ED		OBJECT MARKER TY 3	4.00	EACH		\$	
0580	21373ND		REMOVE SIGN	18.00	EACH		\$	
0590	24489EC		INLAID PAVEMENT MARKER	250.00	EACH		\$	
0600	24814EC		PIPELINE INSPECTION	1,124.00	LF		\$	

**Section: 0003 - DEMOBILIZATION & OR MOBILIZATION**

LINE	BID CODE	ALT	DESCRIPTION	QUANTITY	UNIT	UNIT PRIC	FP	AMOUNT
0610	02569		DEMOBILIZATION	1.00	LS		\$	

# TYPICAL SECTIONS ENTRANCES

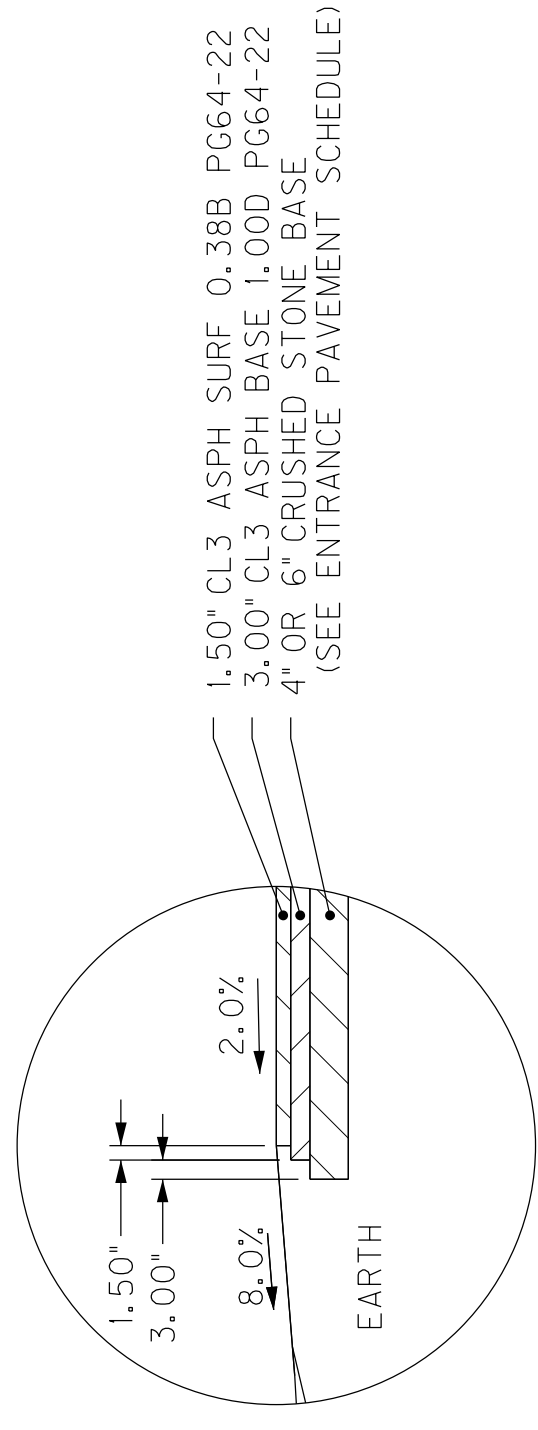


- NOTES:
- ① SEE X-SECTIONS FOR SLOPES OUTSIDE OF SHOULDER
  - ② WIDEN SHOULDER 2' FOR GUARDRAIL

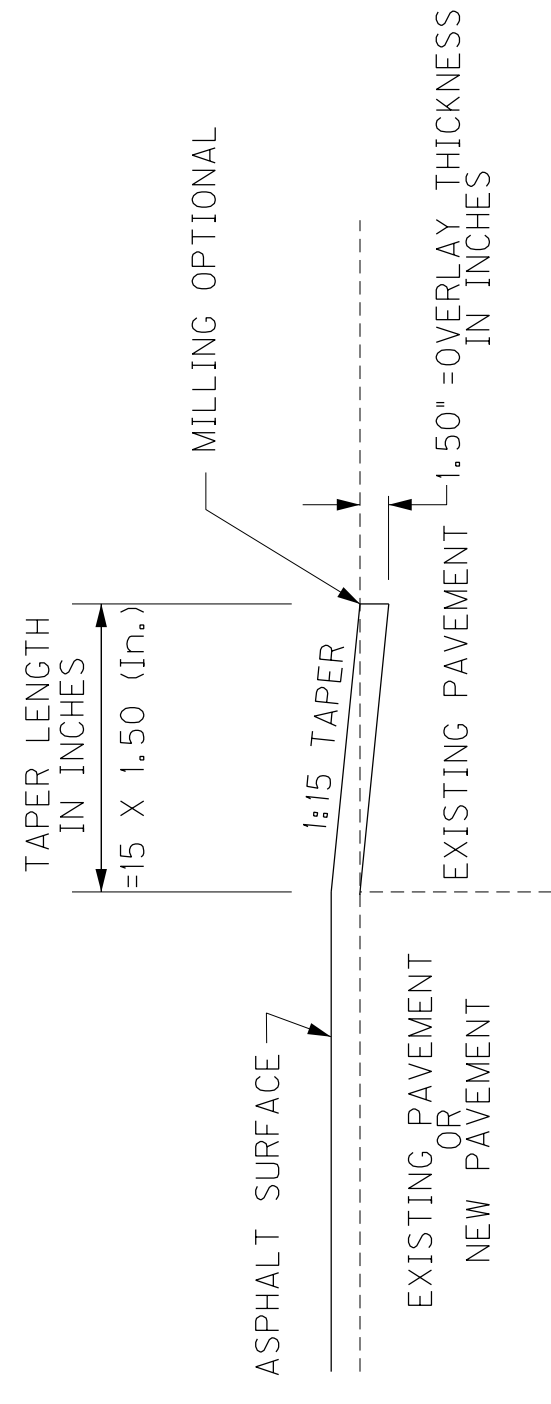
## PAVEMENT SCHEDULE

FIELD AND RESIDENTIAL ENTRANCES	1.50" CL3 ASPH SURF 0.38B PG64-22 3.00" CL3 ASPH BASE 1,00D PG64-22 4.00" CRUSHED STONE BASE
COMMERCIAL ENTRANCES	1.50" CL3 ASPH SURF 0.38B PG64-22 3.00" CL3 ASPH BASE 1,00D PG64-22 6.00" CRUSHED STONE BASE

NOTE: ASPHALT MATERIAL FOR TACK AT APPLICATION RATE OF 0.84 LBS/SY.



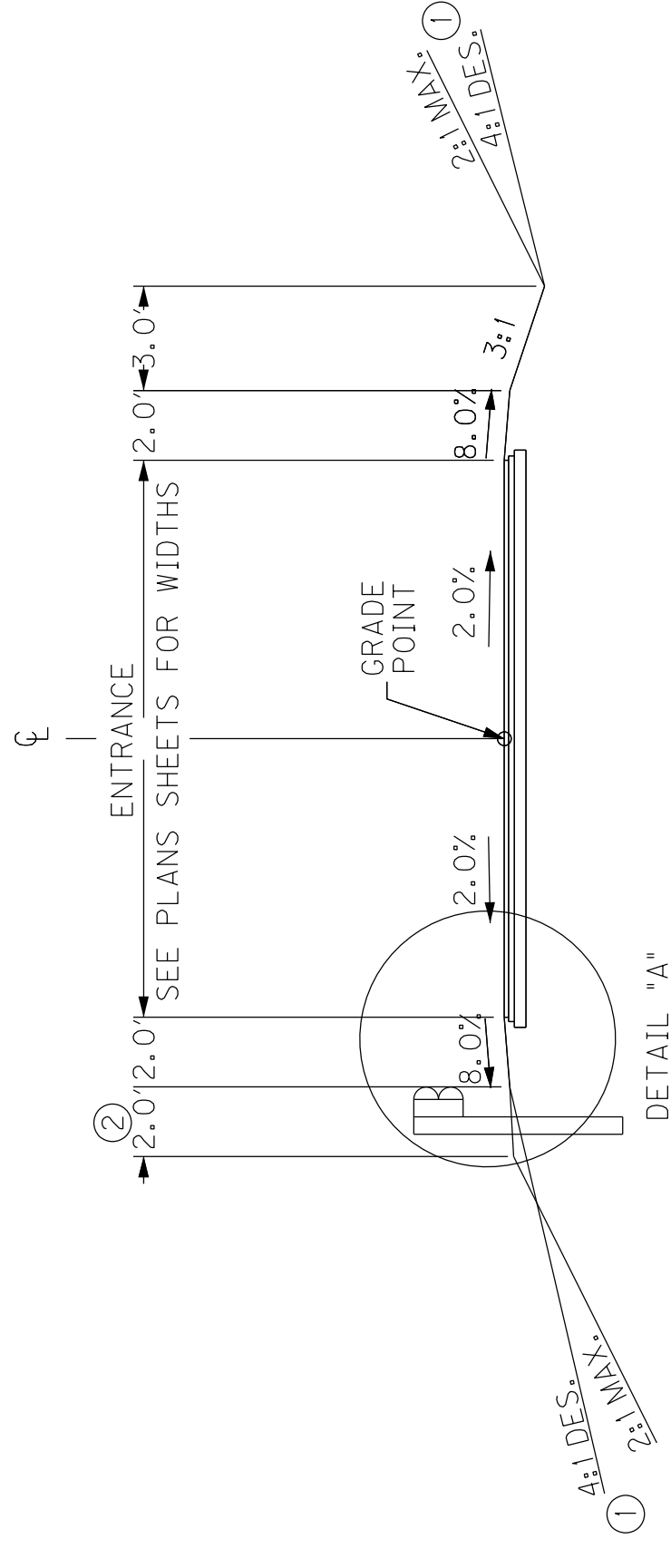
**DETAIL "A"**



**TAPER ENTRANCES**

TYPICAL SECTIONS  
ENTRANCES

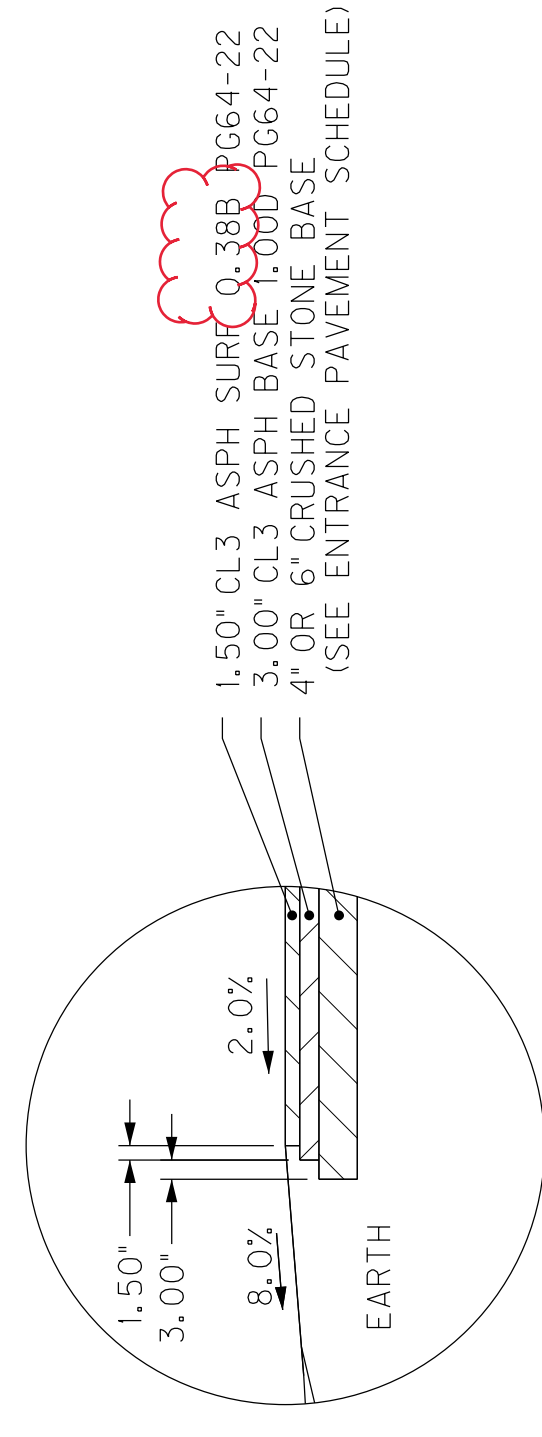
# TYPICAL SECTIONS ENTRANCES



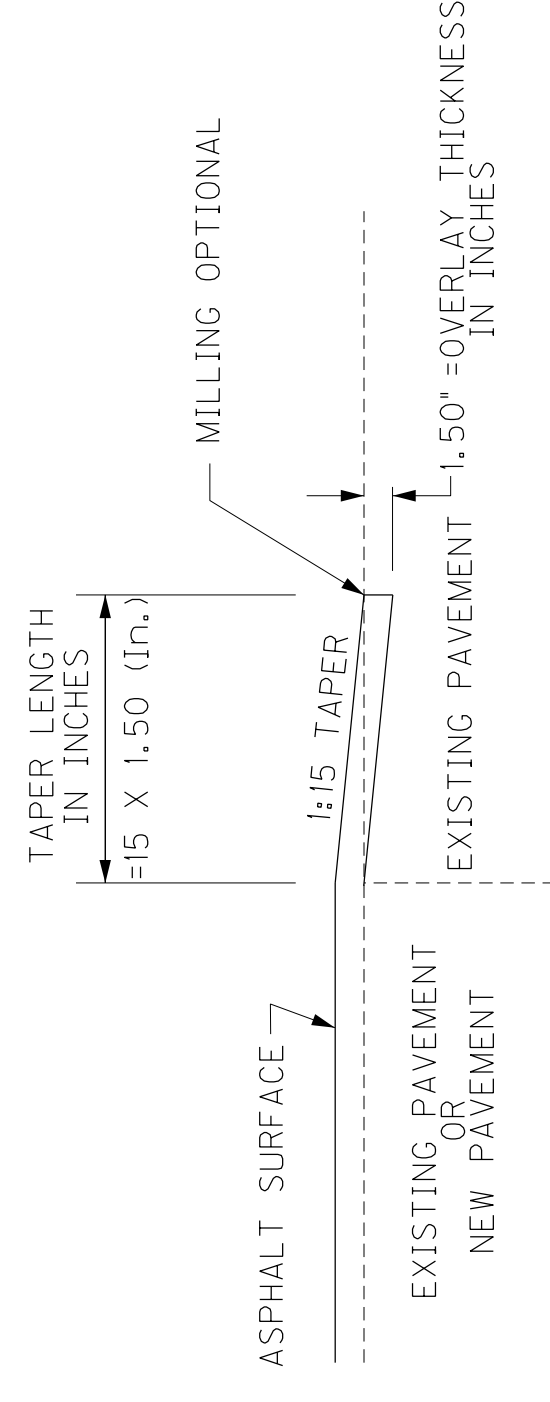
## PAVEMENT SCHEDULE

FIELD AND RESIDENTIAL ENTRANCES	1.50" CL3 ASPH SURF 3.00" CL3 ASPH BASE 4.00" CRUSHED STONE BASE	0.38B PG64-22 1.00B PG64-22
COMMERCIAL ENTRANCES	1.50" CL3 ASPH SURF 3.00" CL3 ASPH BASE 6.00" CRUSHED STONE BASE	0.38B PG64-22 1.00B PG64-22

NOTE: ASPHALT MATERIAL FOR TACK AT APPLICATION RATE OF 0.84 LBS/SY.



DETAIL "A"



## TAPER ENTRANCES

### NOTES:

- ① SEE X-SECTIONS FOR SLOPES OUTSIDE OF SHOULDER
- ② WIDEN SHOULDER 2' FOR GUARDRAIL

COUNTY OF	ITEM NO.	SHEET NO.
LETCHER	12-199.11	R2A



### PAVING AREAS

ITEM	MAINLINE	ENTRANCES																		TOTAL PROJECT
	S	Q	U	A	R	E	Y	A	R	D	S									
1.5" CL3 ASPH SURF 0.38B PG64-22	24944	963																		25907
3" CL3 ASPH BASE 1.00B PG64-22	30278	963																		31241
4" CRUSHED STONE BASE	2667	963																		3630
ASPHALT MATERIAL FOR TACK	⑤ 78571	963																		79534

### PAVING SUMMARY

ITEM CODE	ITEM	UNIT	MAINLINE	ENTRANCES																TOTAL PROJECT
00003	CRUSHED STONE BASE	①③④ TON	5756	222																5978
00100	ASPHALT SEAL AGGREGATE	② TON	69																	69
00103	ASPHALT SEAL COAT	② TON	9																	9
00190	LEVELING & WEDGING PG64-22	TON	2245																	2245
00214	CL3 ASPH BASE 1.00B PG64-22	TON	4996	159																5155
00388	CL3 ASPH SURF 0.38B PG64-22	TON	2058	80																2138
00356	ASPHALT MATERIAL FOR TACK	TON	33	1																34

#### NOTES

ALL ASPHALT MIXTURES SHALL BE ESTIMATED AT 110 LBS. PER SQ. YD. PER INCH OF DEPTH, UNLESS NOTED OTHERWISE.

- ① ESTIMATED AT 115 LBS. PER SQ. YD. PER INCH OF DEPTH.
- ② ASPHALT SEAL COAT @ 2.4 LBS./S.Y. ASPHALT SEAL AGGREGATE @ 20 LBS./S.Y. (TOTAL INCLUDES 2 APPLICATIONS)
- ③ 5092 TONS ADDED FOR CSB SHOULDER WEDGE
- ④ 50 TONS ADDED FOR MAINTAINING ENTRANCES DURING CONSTRUCTION

PAVING SUMMARY